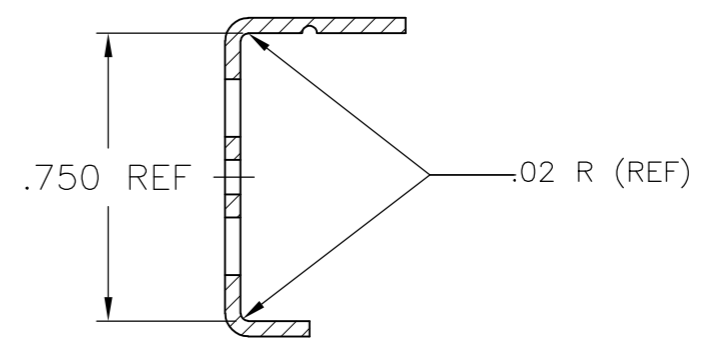
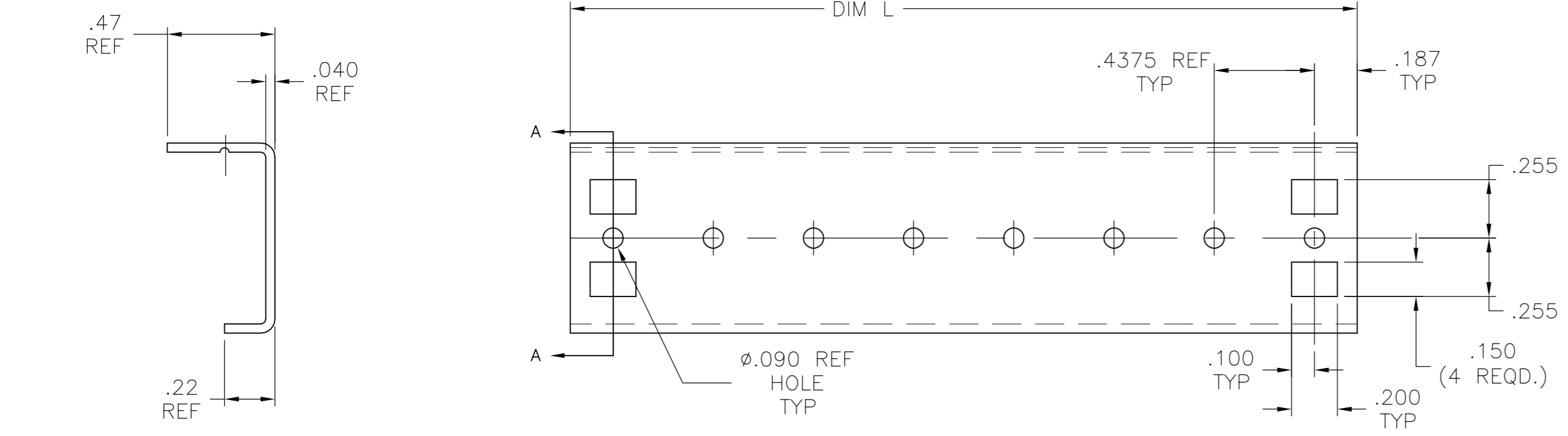


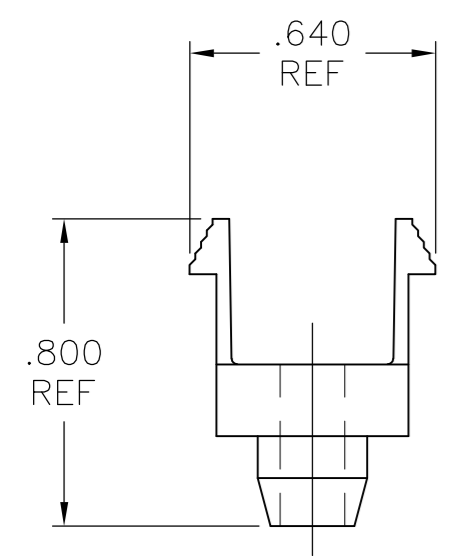
THIS DRAWING IS UNPUBLISHED. RELEASED FOR PUBLICATION
 © COPYRIGHT - By - ALL RIGHTS RESERVED.

LOC		DIST		REVISIONS					
FT		0		P	LTR	DESCRIPTION	DATE	DWN	APVD
				R		REVISED PER ECO-15-007842	23JUN2015	NG	PS

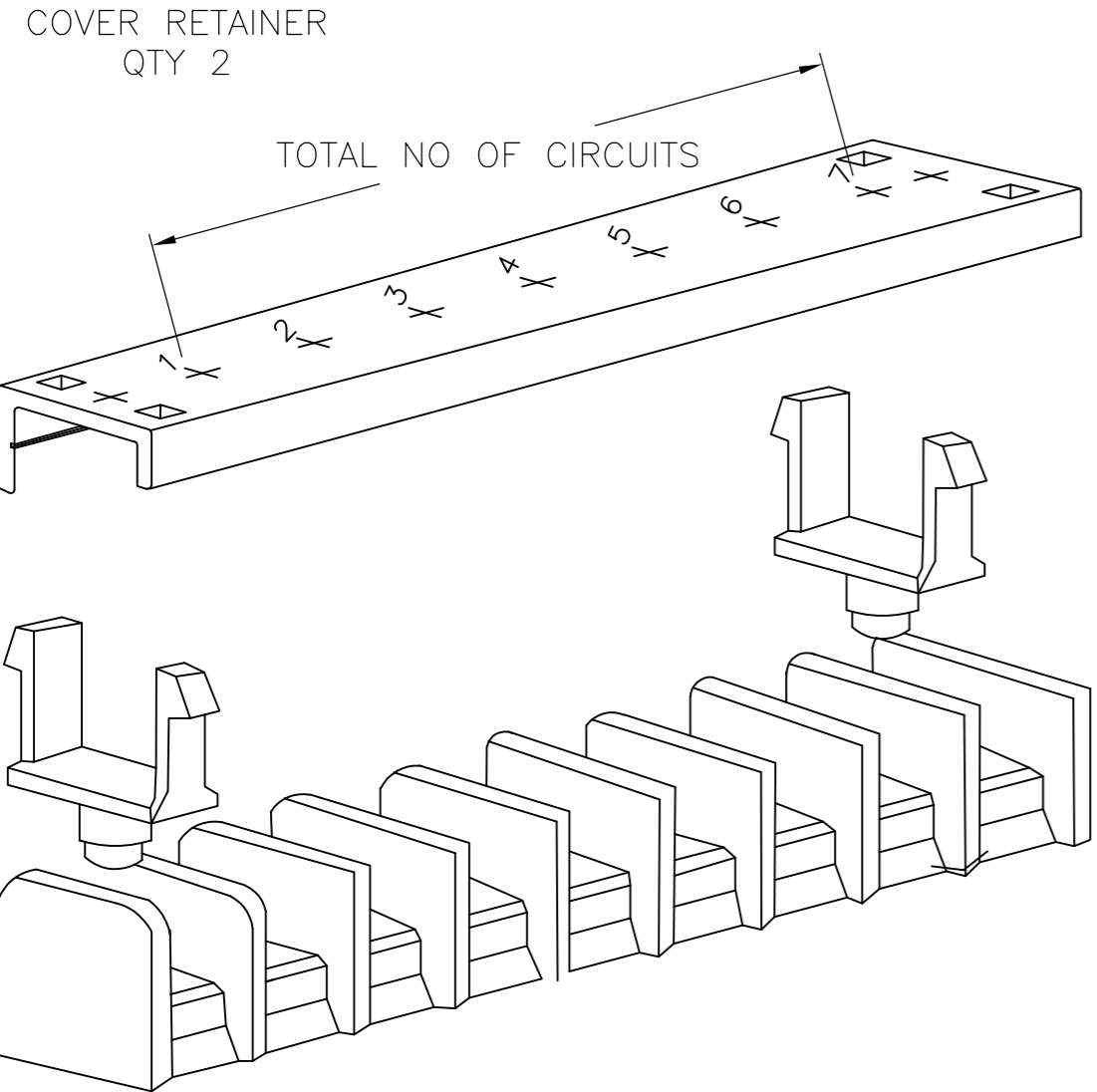
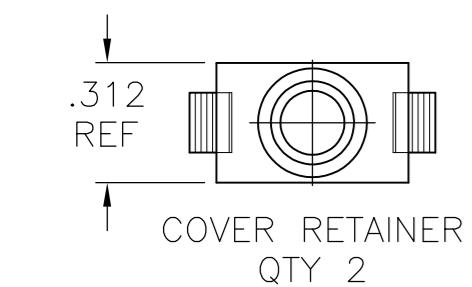
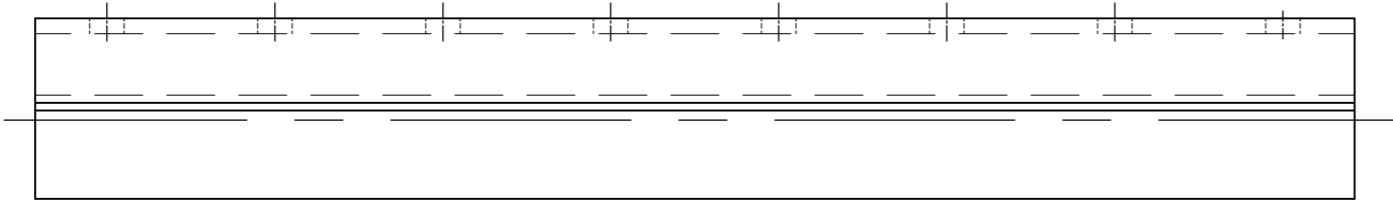
1 OBSOLETE



SECTION A-A



SAFETY COVER
 QTY 1
 (8 POS SHOWN)



7
 7=.4375 C/L SPACING

C
 COVER MATERIAL YELLOW PVC

1
 CLOSED BACK

*
 N=NO MARKING
 F=FORWARD SEQUENCE

*
 NUMBER OF CIRCUITS

1986778-2	11.312	26	24	7C1N24	2-1776436-4
1986778-2	10.875	25	23	7C1N23	2-1776436-3
1986778-2	10.437	24	22	7C1N22	2-1776436-2
1986778-2	10	23	21	7C1N21	2-1776436-1
1986778-2	9.563	22	20	7C1N20	2-1776436-0
1986778-2	8.687	20	18	7C1N18	1-1776436-8
1986778-2	8.25	19	17	7C1N17	1-1776436-7
1986778-2	7.375	17	15	7C1N15	1-1776436-5
1986778-2	6.937	16	14	7C1N14	1-1776436-4
1986778-2	5.625	13	11	7C1N11	1-1776436-1
1986778-2	9.125	21	19	7C1N19	5-1437418-0
1986778-2	7.812	18	16	7C1N16	4-1437418-9
1986778-2	6.062	14	12	7C1N12	4-1437418-8
1986778-2	5.187	12	10	7C1N10	4-1437418-7
1986778-2	4.75	11	9	7C1N09	4-1437418-6
1986778-2	4.312	10	8	7C1N08	4-1437418-5
1986778-2	3.875	9	7	7C1N07	4-1437418-4
1986778-2	3.437	8	6	7C1N06	4-1437418-3
1986778-2	3.000	7	5	7C1N05	4-1437418-2
1986778-2	2.562	6	4	7C1N04	4-1437418-1
1986778-2	2.125	5	3	7C1N03	4-1437418-0
1986778-2	1.687	4	2	7C1N02	3-1437418-9
1986778-2	6.5	15	13	7C1F13	3-1437418-7

COVER RETAINER QTY=2	DIM L ± 0.040	TOTAL NUMBER OF HOLES	TOTAL NUMBER OF CIRCUITS	CATALOG NUMBER	PART NUMBER
----------------------	---------------	-----------------------	--------------------------	----------------	-------------

THIS DRAWING IS A CONTROLLED DOCUMENT.

DWN S SCHLEGEL 9/29/06
 CHK S YODER 9/29/06
 APVD S YODER 9/29/06

TE Connectivity

SAFETY COVER
 KITS FOR SSB .4375 CENTERS

SIZE A2 CAGE CODE 00779 C=1437412-5 DRAWING NO RESTRICTED TO

MATERIAL FINISH WEIGHT SCALE 2:1 SHEET 1 of 1 REV R

CUSTOMER DRAWING

Mouser Electronics

Authorized Distributor

Click to View Pricing, Inventory, Delivery & Lifecycle Information:

[TE Connectivity:](#)

[4-1437418-0](#)