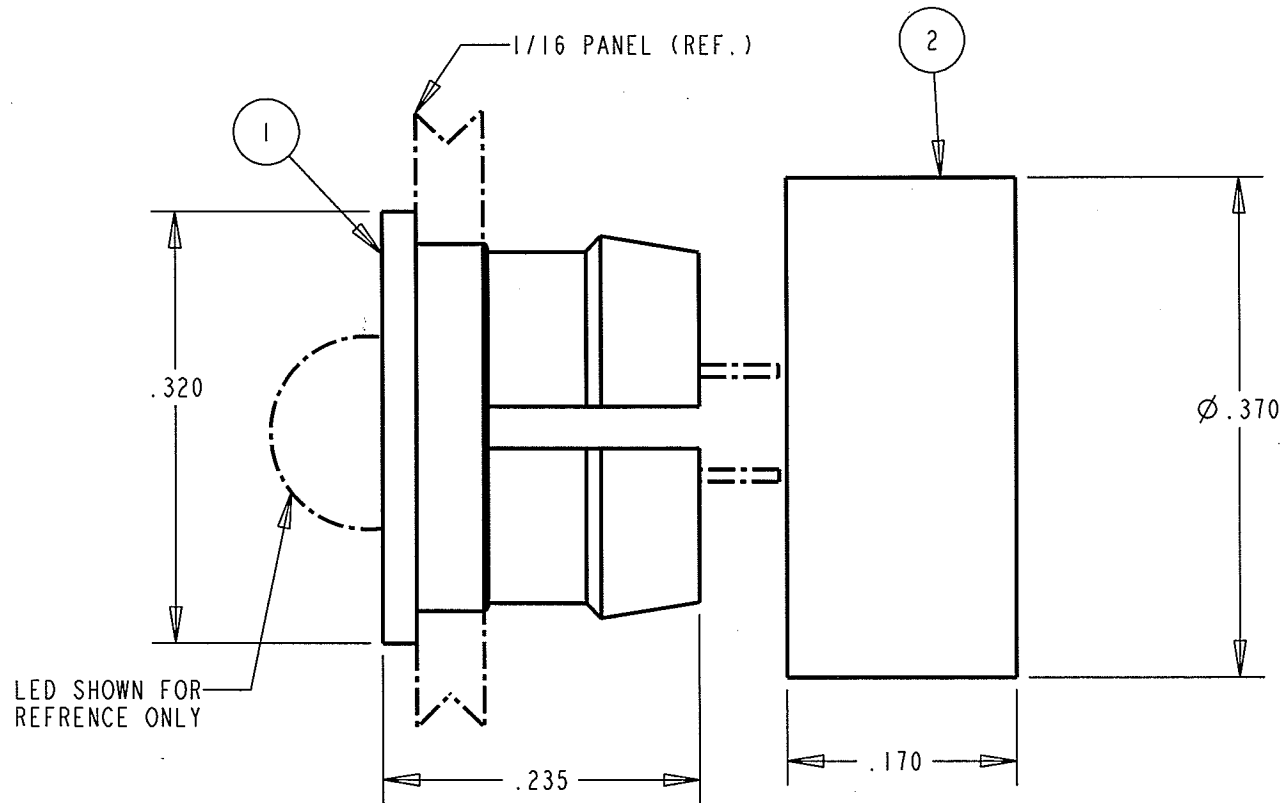


RoHS Compliant 515-0005F

Part Numbers with the "F" suffix ending are RoHS Compliant.
Packaging is marked with "RoHS Compliant" label or equivalent markings.

Parts can be wave soldered, dip soldered or hand soldered using typical lead-free soldering process with max 260°C temp. for 5 sec.

REV	ECN NO	REVISIONS	DRN	CKD	APP	DATE
A	—	NEW RELEASE	CE	7.8.	<i>[Signature]</i>	3-5-07



NOTES:

1. RECOMMENDED MOUNTING HOLE= .265
2. ALL DIMENSIONS $\pm .015$ UNLESS OTHERWISE SPECIFIED
3. DIALIGHT PART NUMBER: 515-0005F

ITEM	QTY	DESCRIPTION
2	1	RING
1	1	ADAPTER "A"

THIS DRAWING AND THE CONTENTS HEREIN ARE CONFIDENTIAL AND THE SOLE PROPERTY OF DIALIGHT. REPRODUCTION OF THIS DRAWING OR CONSTRUCTION OF ANY PARTS WITHIN THIS DRAWING ARE FORBIDDEN WITHOUT THE WRITTEN CONSENT OF DIALIGHT.		
SCALE: 7.000	DRAWING NUMBER	REV
ALL DIM'S IN: INCHES (MM)	C-17480	A
TOLERANCES: UNLESS OTHERWISE SPECIFIED	TITLE	
FRACTIONS: $\pm 1/64$	ASSEMBLY	
DECIMALS (.XX): $\pm .01$	RoHS COMPLIANT	
DECIMALS (.XXX): $\pm .005$	MATERIAL	
DECIMALS (.XXXX): $\pm .0005$	-	
ANGLES: $\pm 1^\circ$	-	
FINISH:	-	
FSCM 83330	1501 ROUTE 34 SOUTH FARMINGDALE, NJ 07727	

Mouser Electronics

Authorized Distributor

Click to View Pricing, Inventory, Delivery & Lifecycle Information:

[Dialight:](#)

[515-0005F](#)