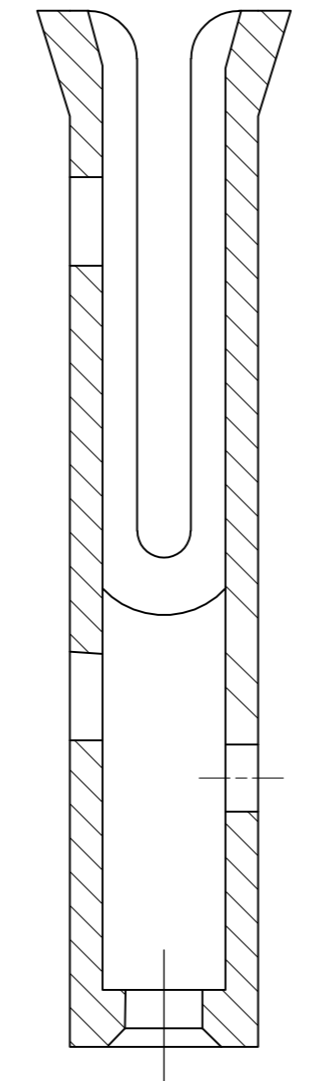
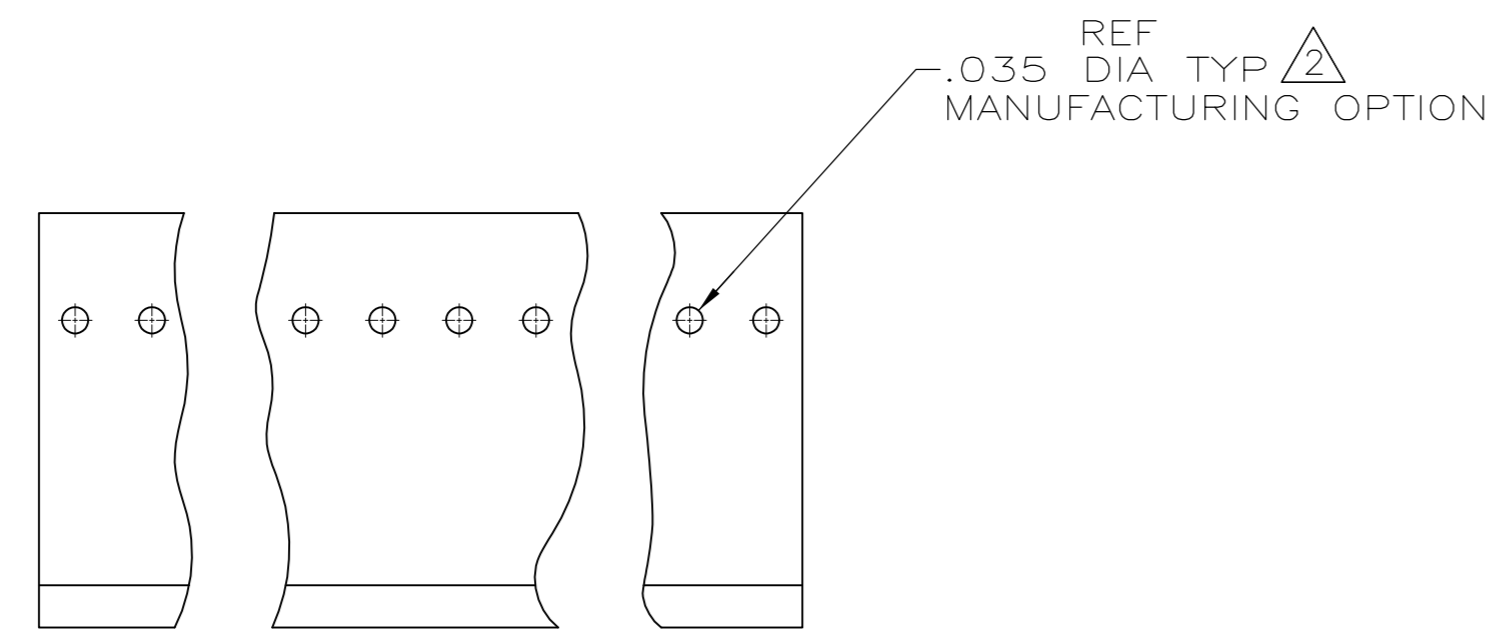
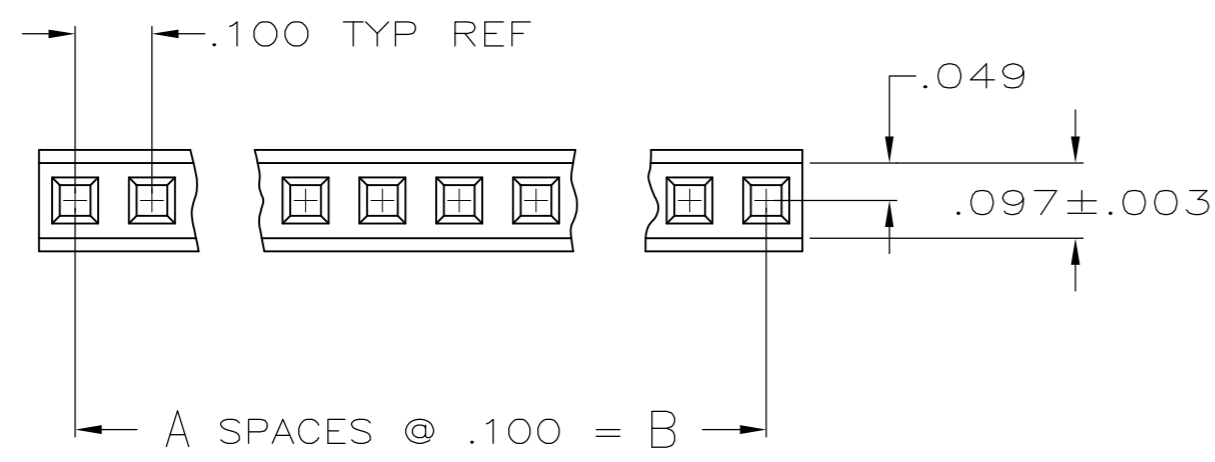
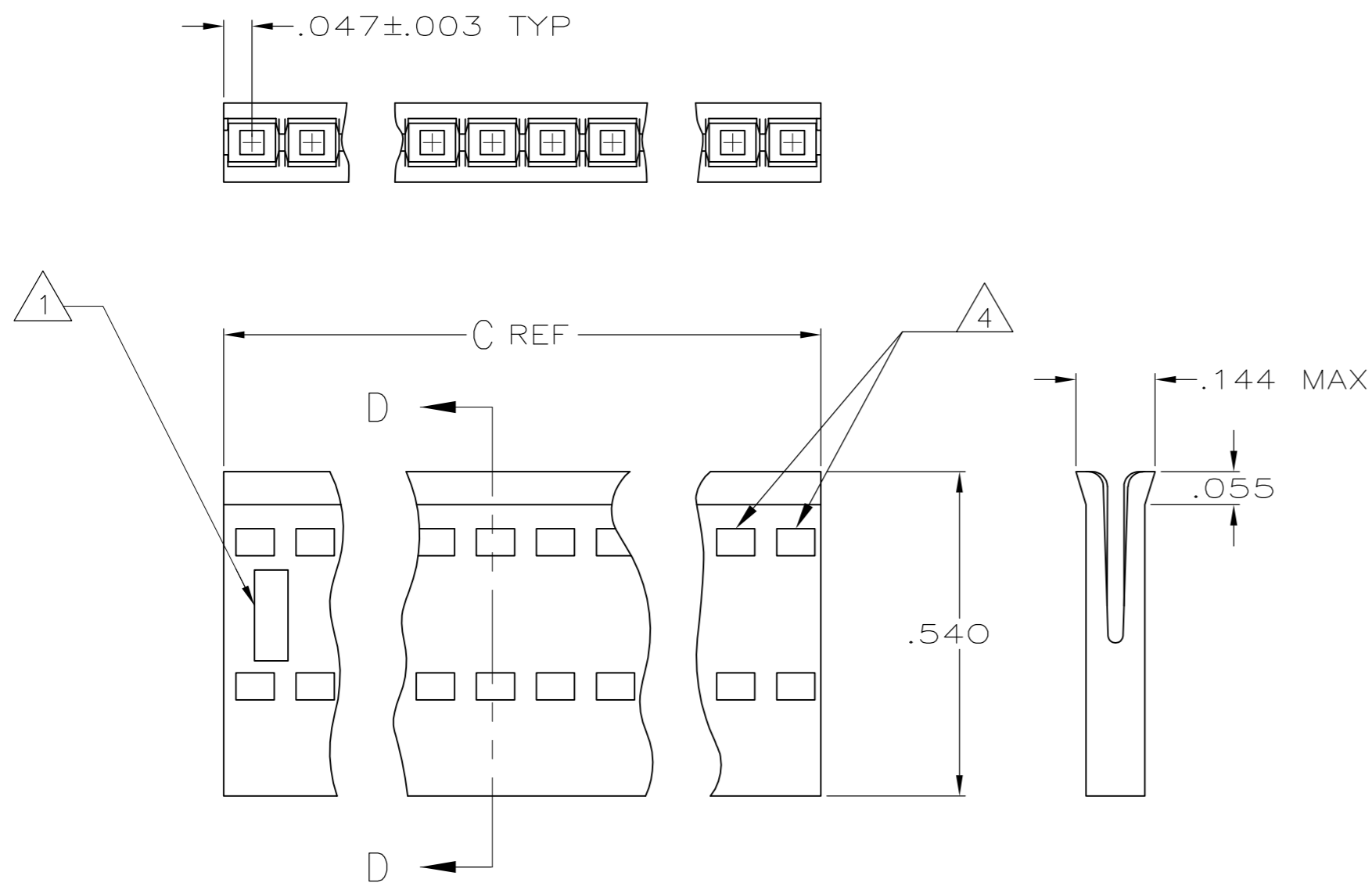


THIS DRAWING IS UNPUBLISHED. RELEASED FOR PUBLICATION
 © COPYRIGHT - By - ALL RIGHTS RESERVED.

LOC	DIST	REVISIONS					
GP	00	P	LTR	DESCRIPTION	DATE	DWN	APVD
		V		REVISED PER ECO-11-017188	06DEC2011	CJV	CWR



SECTION D-D

- 1 AMP TRADEMARK AND MOLD CAVITY IDENTIFICATION LOCATED AT EITHER END OF THE HOUSING IN APPROXIMATE LOCATION SHOWN.
- 2 THIS HOLE IS FOR MOLDING PURPOSES ONLY AND MAY BE FLASHED OVER.
- 3 OBSOLETE PARTS: OBSOLETE CIS STREAMLINING PER D.RENAUD/D.SINISI.
- 4 WINDOWS MAY OR MAY NOT BE PRESENT ON THIS END OF THE HOUSING.

	OBSOLETE	2.594	2.500	25	26	2-487378-6
		3.394	3.300	33	34	2-487378-5
3	OBSOLETE	2.494	2.400	24	25	2-487378-4
		2.394	2.300	23	24	2-487378-3
3	OBSOLETE	2.294	2.200	22	23	2-487378-2
		2.194	2.100	21	22	2-487378-1
		2.094	2.000	20	21	2-487378-0
		1.994	1.900	19	20	1-487378-9
		1.894	1.800	18	19	1-487378-8
		1.794	1.700	17	18	1-487378-7
		1.694	1.600	16	17	1-487378-6
		1.594	1.500	15	16	1-487378-5
		1.494	1.400	14	15	1-487378-4
		1.394	1.300	13	14	1-487378-3
		1.294	1.200	12	13	1-487378-2
		1.194	1.100	11	12	1-487378-1
		1.094	1.000	10	11	1-487378-0
		.994	.900	9	10	487378-9
		.894	.800	8	9	487378-8
		.794	.700	7	8	487378-7
		.694	.600	6	7	487378-6
		.594	.500	5	6	487378-5
		.494	.400	4	5	487378-4
		.394	.300	3	4	487378-3
		.294	.200	2	3	487378-2
		.194	.100	1	2	487378-1
	C REF	B	A	NO OF POSNS	PRODUCT PART NO	

THIS DRAWING IS A CONTROLLED DOCUMENT.		DWN D. DOLLYHIGH 10-17-84	TE Connectivity	
DIMENSIONS: INCHES		CHK D.R. WORTHINGTON 10-17-84	APVD -	
TOLERANCES UNLESS OTHERWISE SPECIFIED:		NAME HOUSING, RECEPTACLE, FFC		
0 PLC ± -		PRODUCT SPEC 108-9024		
1 PLC ± -		APPLICATION SPEC 114-16015		
2 PLC ± -		SIZE A2		
3 PLC ± .005		CAGE CODE 00779		
4 PLC ± -		DRAWING NO C=487378		
ANGLES ± -		RESTRICTED TO -		
FINISH -		WEIGHT -		
MATERIAL THERMOPLASTIC.		CUSTOMER DRAWING		
		SCALE NTS		SHEET 1 of 1
				REV V

Mouser Electronics

Authorized Distributor

Click to View Pricing, Inventory, Delivery & Lifecycle Information:

[TE Connectivity:](#)

[487378-2](#)