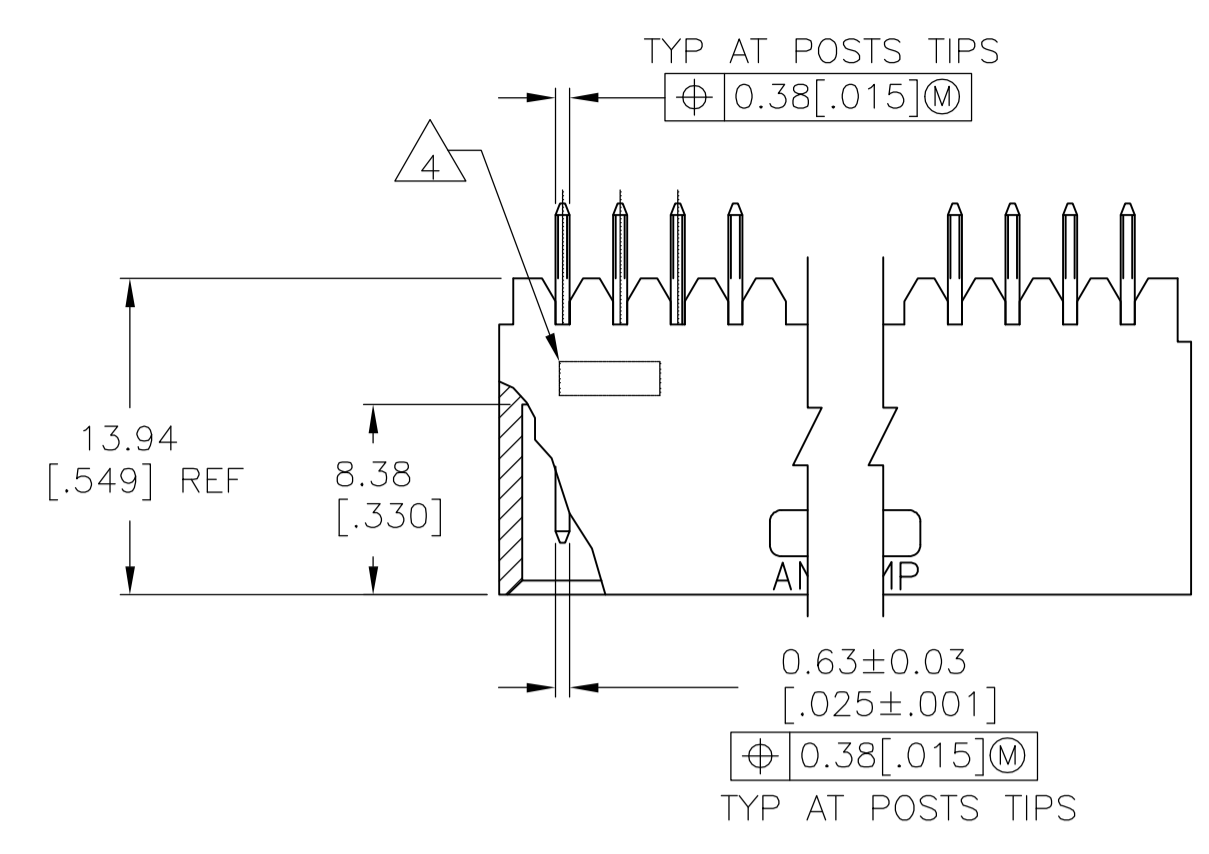
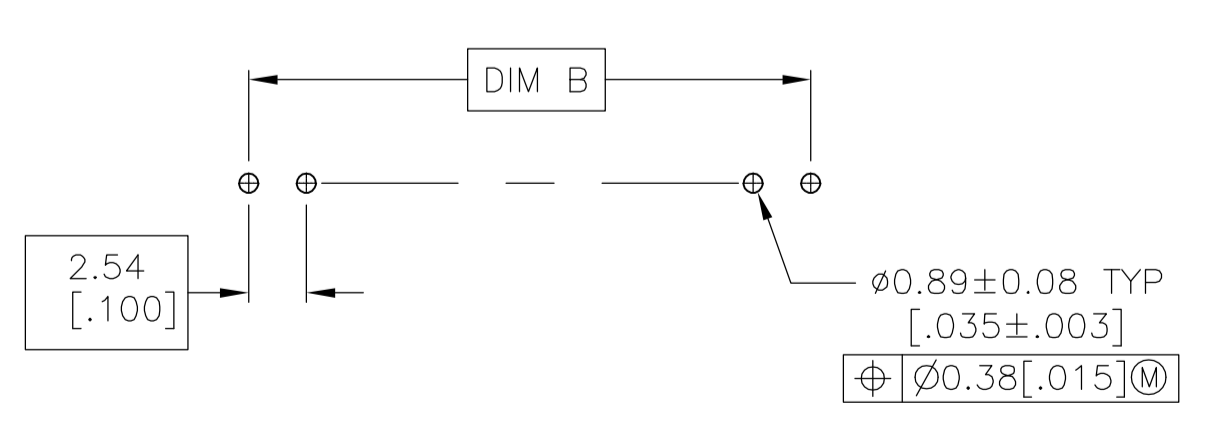
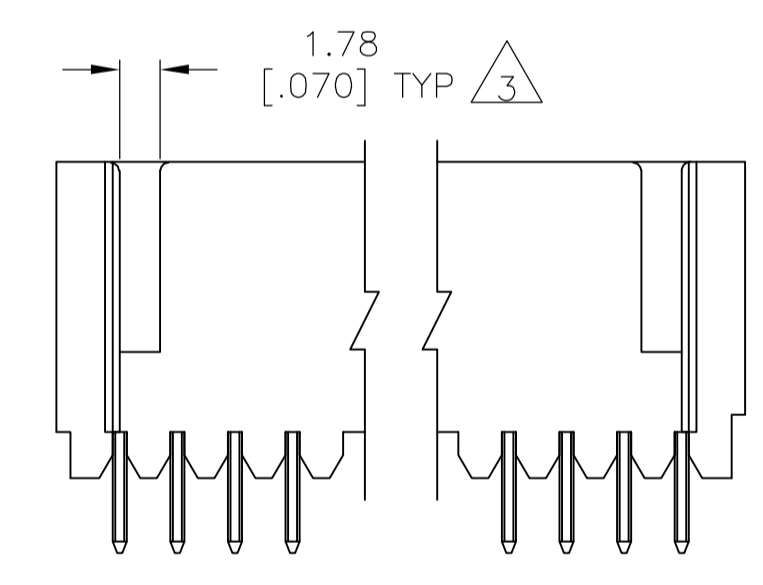
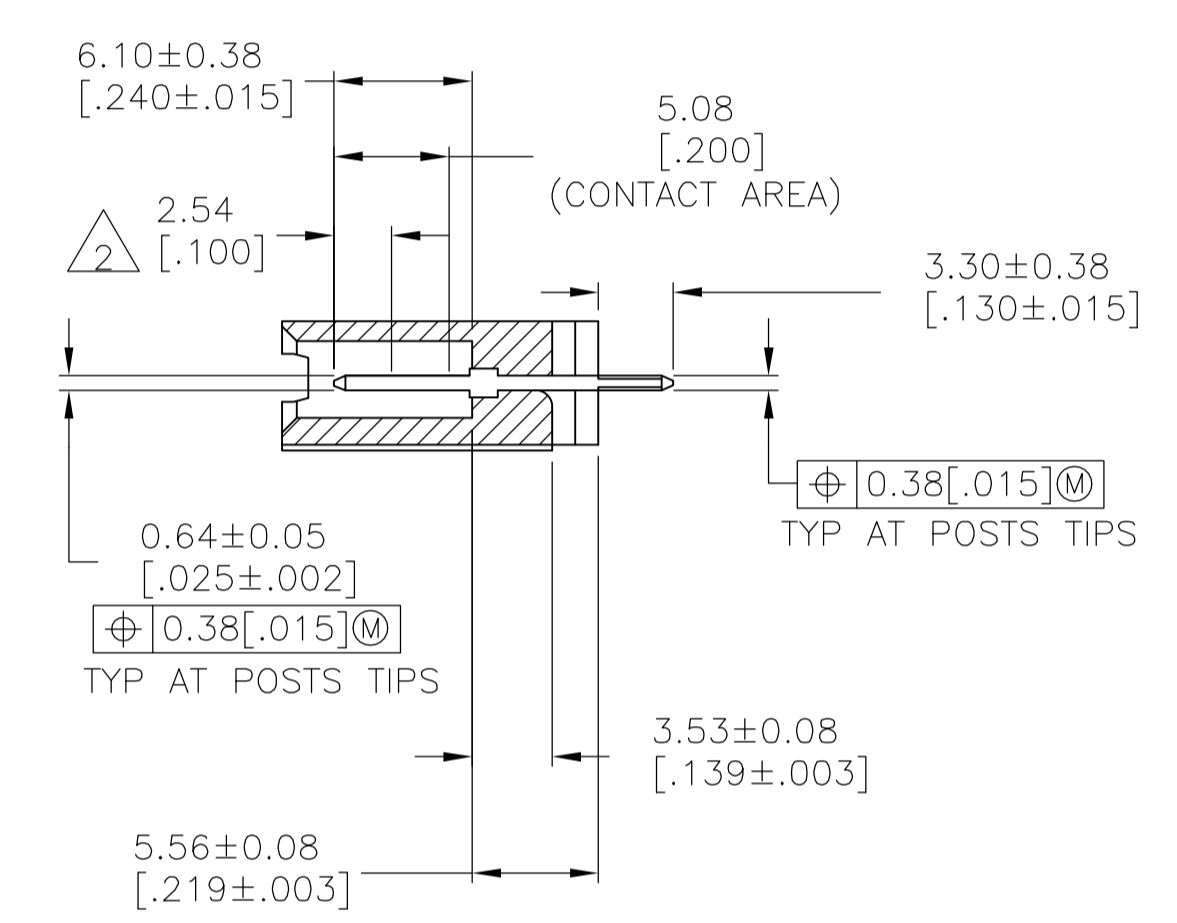
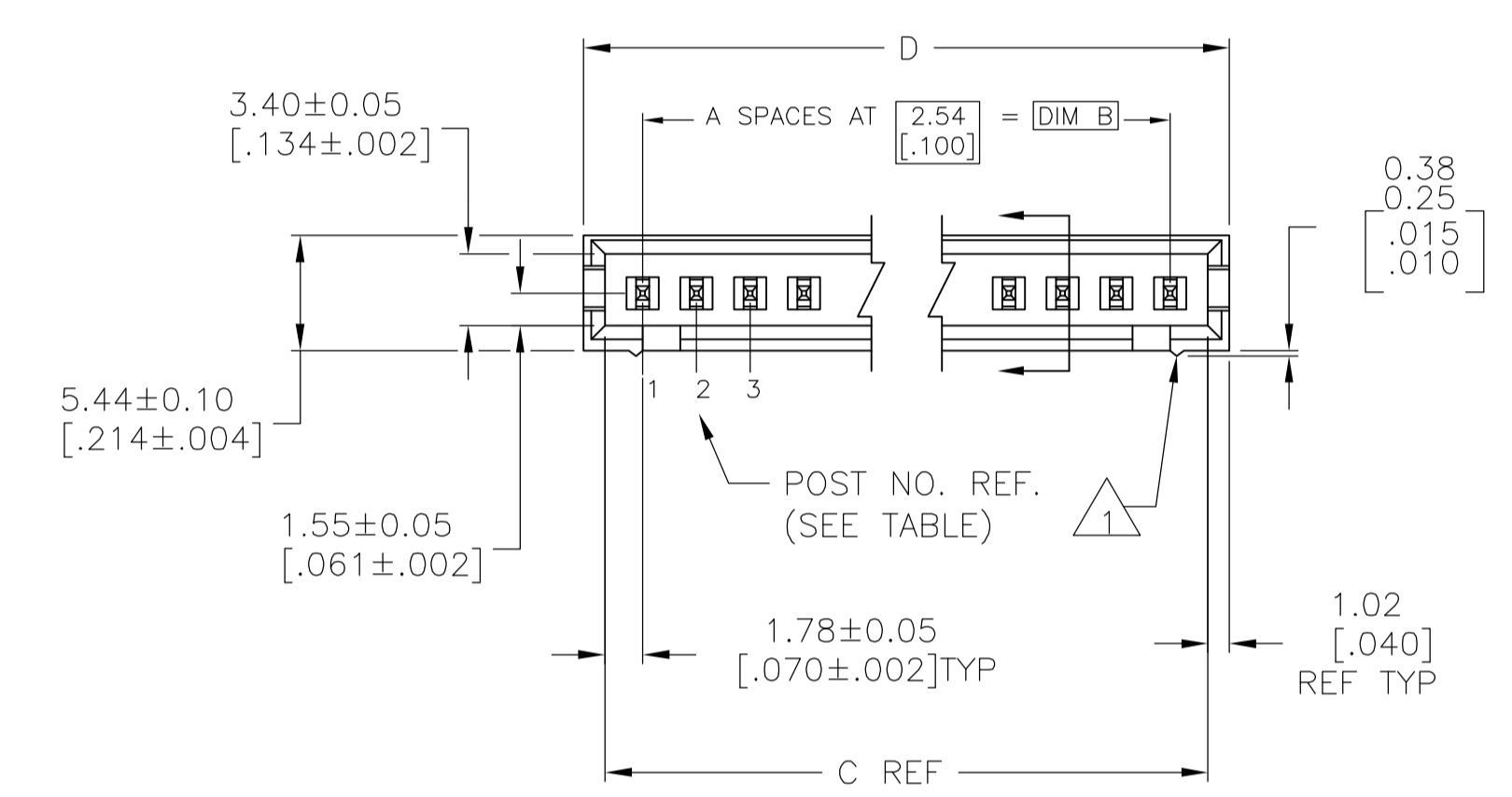


LOC		DIST		REVISIONS			
AD	00	REV	DATE	BY	APPV		
A1	ECO 06 007215		12JUL06	BSV	JLG		



- 1 STANDOFFS: UP TO 9 POS-(2 REQD) ON THE OUTSIDE ENDS OF THE HOUSING
 10 TO 19 POS-(3 REQD) TWO ON THE OUTSIDE ENDS AND ONE CENTERED ON
 THE HOUSING 19 POS AND LARGER-(4 REQD) TWO ON THE OUTSIDE ENDS AND
 TWO SPACED EVENLY WITHIN THE REMAINING LENGTH OF THE HOUSING
- 2 POINT OF MEASUREMENT FOR PLATING THICKNESS
- 3 RECESSED DATE CODE
- 4 HOUSING: FLAME RETARDANT THERMOPLASTIC, COLOR - BLACK.
 POSTS: BRASS.
- 5 0.00038[.000015] GOLD ON THE CONTACT AREA,
 0.00254[.000100]-0.00508[.000200] MATTE TIN-LEAD ON THE SOLDER TAIL
 ALL OVER 0.00127[.000050] NICKEL.



RECOMMENDED HOLE LAYOUT

POST OMITTED	D	C	B	A	NO OF POSN	PART NUMBER
7	43.69 [1.720]	41.66 [1.640]	38.10 [1.500]	15	16	1825461-2
6	23.37 [.920]	21.34 [.840]	17.78 [.700]	7	8	1825461-1

THIS DRAWING IS A CONTROLLED DOCUMENT.

DIM R	BROWN	18OCT05	tyco Electronics	Tyco Electronics Corporation Harrisburg, PA 17105-3608	
CHK	J GEFSEFORD	18OCT05		NAME	ASSEMBLY, MOD II, HEADER, SINGLE ROW, 2.54 [.100] C/L, VERTICAL, WITH 0.64 [.025] SQ. POSTS, SELECT LOAD
APVD	J GEFSEFORD	18OCT05	PRODUCT SPEC	APPLICATION SPEC	SIZE
DIMENSIONS: mm [INCHES]			TOLERANCES UNLESS OTHERWISE SPECIFIED:		
0 PLC ± -			1 PLC ± -		
1 PLC ± -			2 PLC ± -		
2 PLC ± -			3 PLC ± 0.38 [.015]		
3 PLC ± -			4 PLC ± -		
4 PLC ± -			ANGLES ± -		
MATERIAL			FINISH		
WEIGHT			DRAWING NO		
CUSTOMER DRAWING			SCALE 3:1		

RESTRICTED TO
 SHEET 1 OF 1 REV A1

Mouser Electronics

Authorized Distributor

Click to View Pricing, Inventory, Delivery & Lifecycle Information:

[TE Connectivity:](#)

[1825461-2](#)