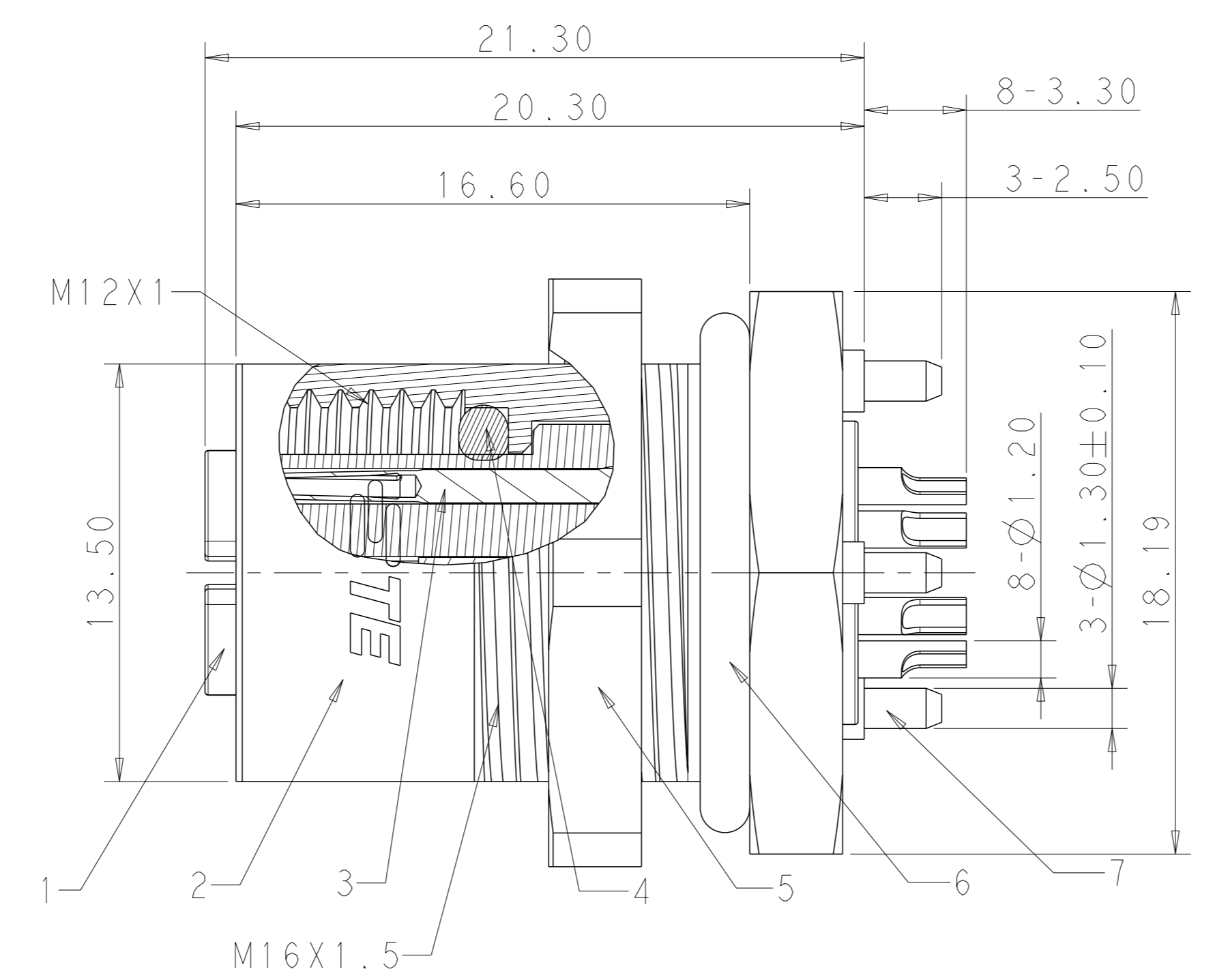
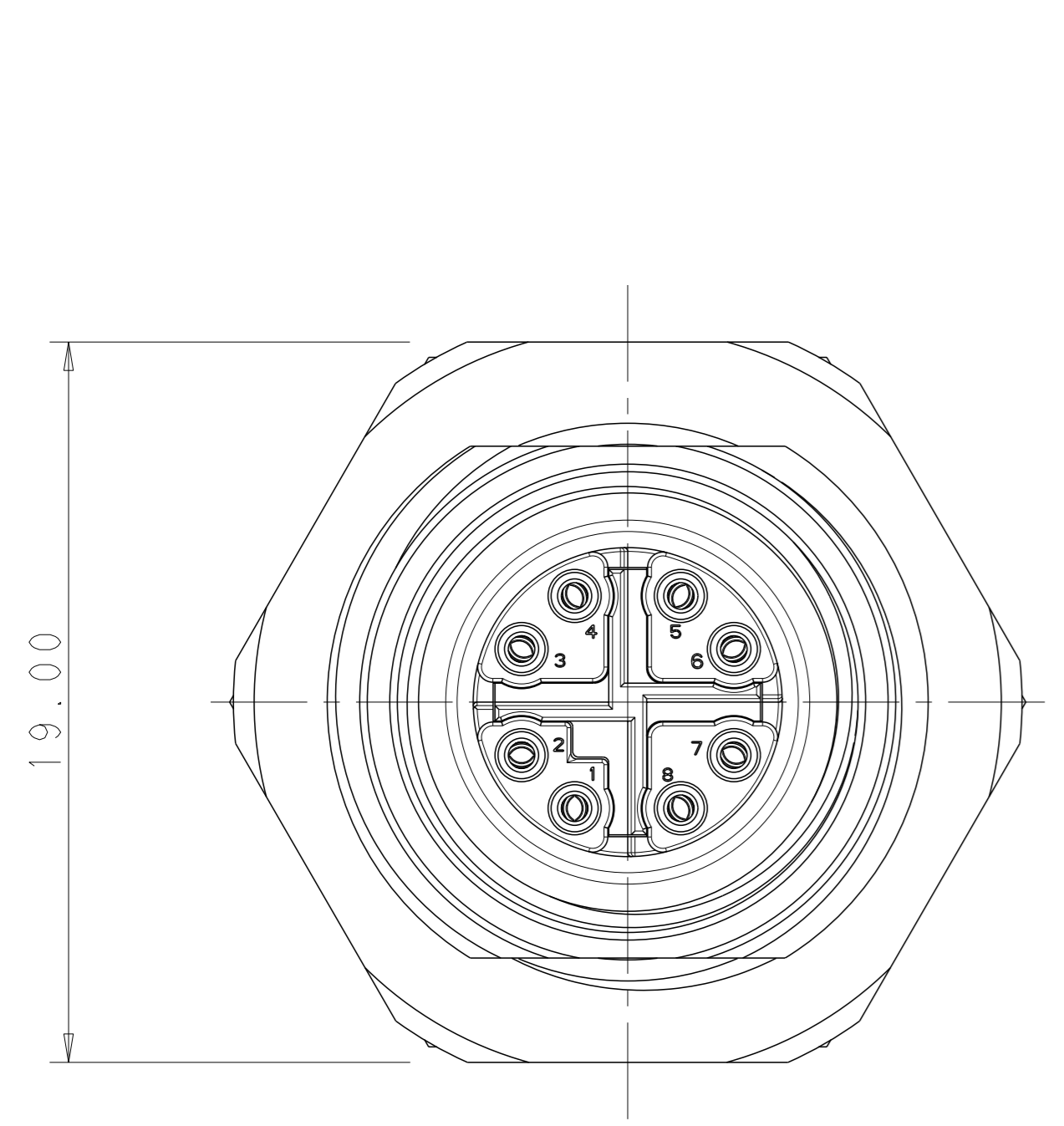
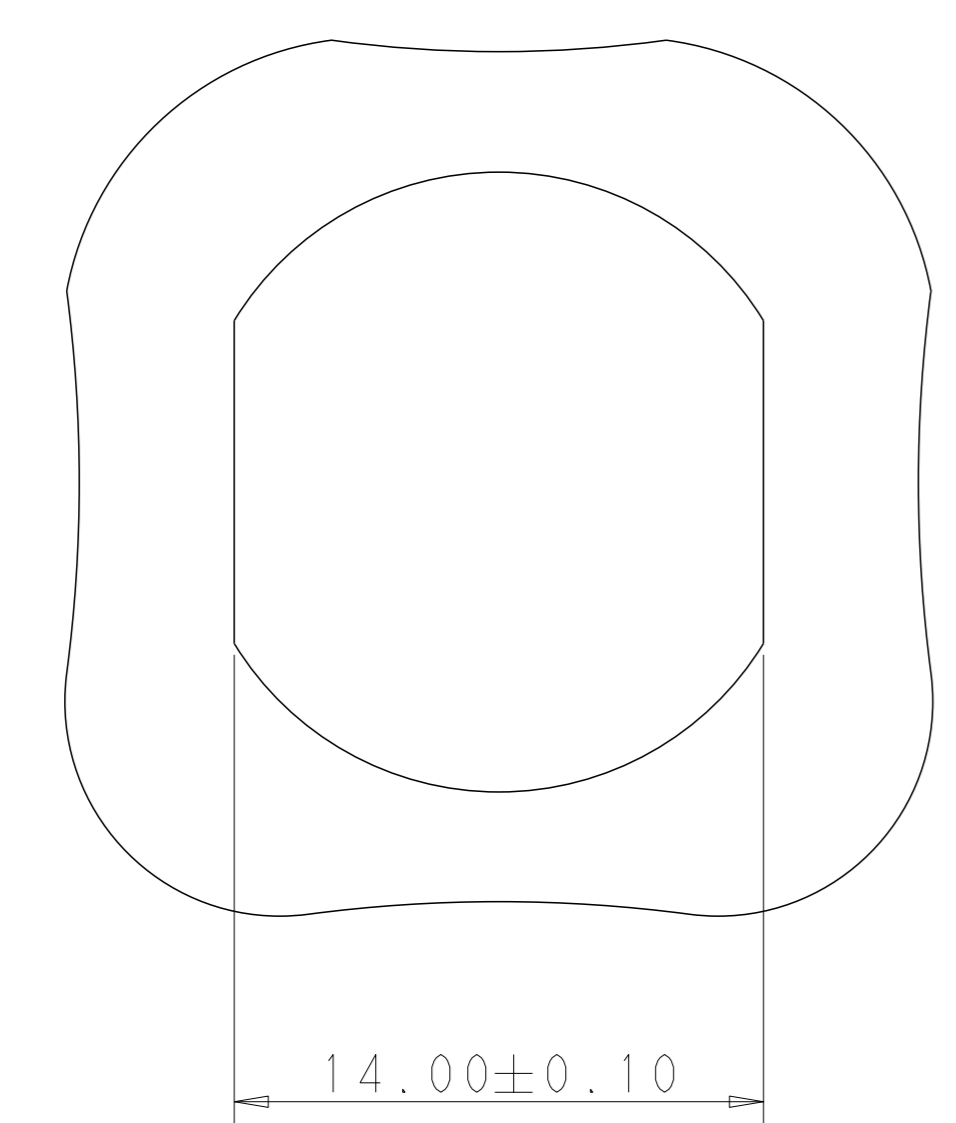


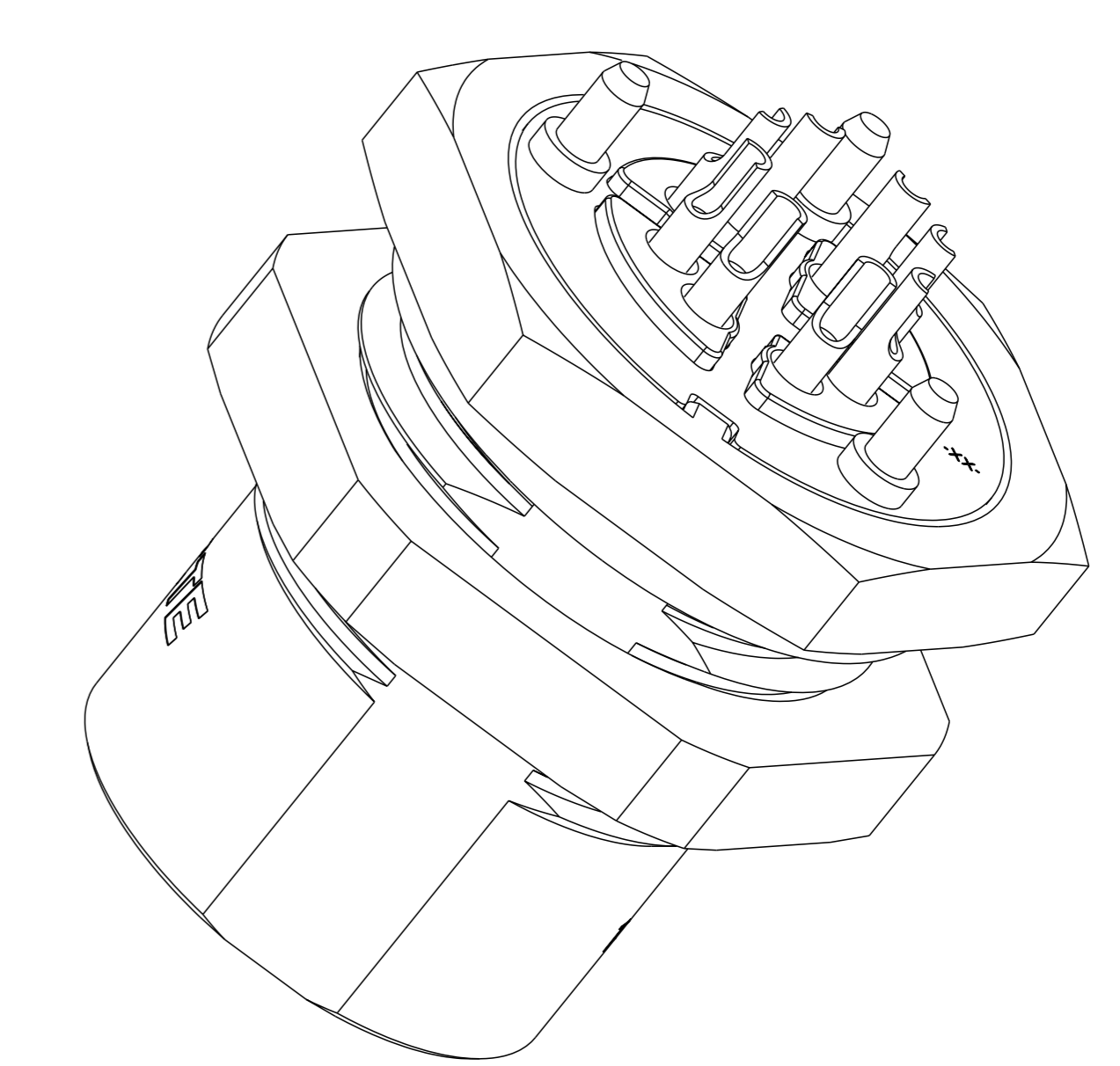
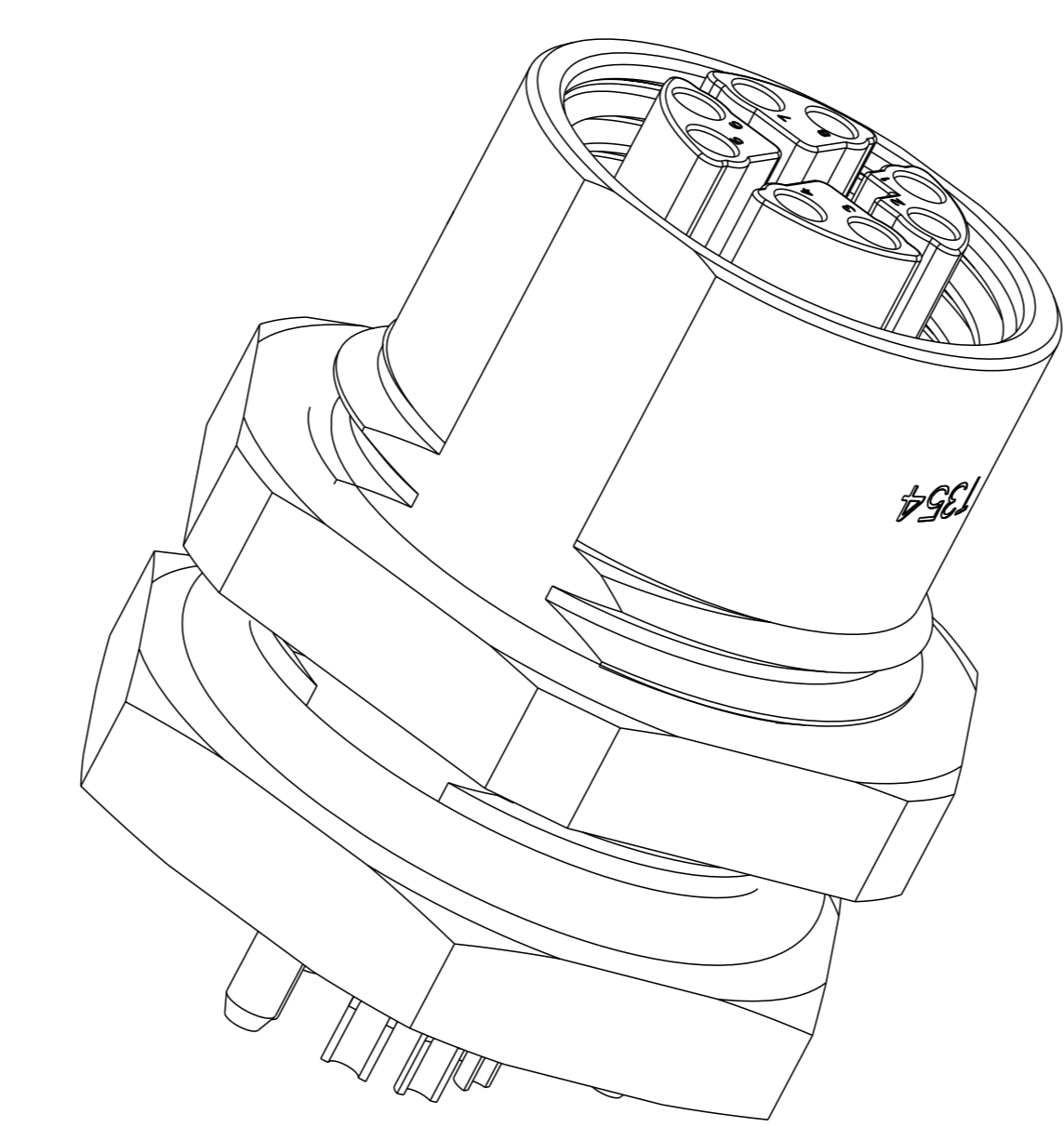
LOC		DIST		REVISIONS			
P	LYR	DESCRIPTION	DATE	OWN	APVD		
A		OFFICIAL REVISION RELEASED	24JUN2015	F.Y	X.X		
A1		PER ECR-15-015943	30OCT2015	N.P	X.X		



- SPCIFICATION:
1. M12 8P RECEPTACLE REAR MOUNT SHIELDED TYPE.
  2. MAX. VOLTAGE: 48V, MAX. CURRENT: 0.5A.
  3. CONTACT RESISTANT: 5 mOhm MAX.
  4. INSULATION WITHSTAND: 100 MOhm MIN.
  5. PROTECTION: IP67.
  6. TEMPERATURE RANGE: -40°~70°.
  7. PARTS INDIVIDUALLY BAGGED AND BULK PACKAGED INTO SHIPPING BOX.
  8. SUITABLE WIRE RATING: 22~28AWG



RECOMMENDED PANEL HOLE SIZE  
 4.5mm MAX PANEL THICKNESS



ITEM	DESCRIPTION	MATERIAL	FINISH/COLOR
1	INSERT HOUSING	PA	BLACK
2	COUPLING SHEATH	ZINC ALUMINUM ALLOY	NICKEL OVER COPPER
3	SOCKET CONTACT	COPPER ALLOY	GOLD OVER NICKEL
4	SEALER RING	LSR	BLACK
5	HEXAGONAL	ZINC ALUMINUM ALLOY	NICKEL OVER COPPER
6	SEALER RING	LSR	BLACK
7	CROSS SHIELDED	ZINC ALUMINUM ALLOY	NICKEL OVER COPPER

2271195-1  
 PART NO

THIS DRAWING IS A CONTROLLED DOCUMENT. OWN: FENCER YU 24JUN2015  
 CHK: ROBBY ZHAO 24JUN2015  
 APVD: XIANG XU 24JUN2015

**STE** TE Connectivity

NAME: REAR PANEL MOUNT SOLDER CONNECTOR M12 X-CODE

PRODUCT SPEC: -  
 APPLICATION SPEC: -  
 MATERIAL: -  
 FINISH: -

SIZE: A1 CAGE CODE: 00779 DRAWING NO: 2271195 RESTRICTED TO: -  
 WEIGHT: -  
 Customer Drawing SCALE: 6:1 SHEET: 1 OF 1 REV: A1

# Mouser Electronics

Authorized Distributor

Click to View Pricing, Inventory, Delivery & Lifecycle Information:

[TE Connectivity:](#)

[2271195-1](#)