

PLEASE CHECK WWW.MOLEX.COM FOR LATEST PART INFORMATION

Part Number: [0190170023](#)
Status: **Active**
Overview: Standard Quick-Disconnect Terminals
Description: InsulKrimp Quick Disconnect, Female, for 14-16 (2.00-1.30mm²) Wire, Box, Tab 2.79 x 0.51mm

Documents:

[Drawing \(PDF\)](#) [Product Specification PS-19902-013-001 \(PDF\)](#)
[Product Specification PS-19902-008-001 \(PDF\)](#) [RoHS Certificate of Compliance \(PDF\)](#)
[Product Specification PS-19902-011-001 \(PDF\)](#)

Agency Certification

CSA LR18689
 UL E79133

General

Product Family Quick Disconnects
 Series [19017](#)
 Crimp Quality Equipment Yes
 Insulated Partial
 Overview [Standard Quick-Disconnect Terminals](#)
 Product Name InsulKrimp
 Type Quick Disconnect
 UPC 800753036048

Physical

Barrel Type Closed
 Color - Resin Blue
 Flammability 94V-0
 Gender Female
 Glow-Wire Capable No
 Insulation PVC
 Lock to Mating Part None
 Material - Metal Brass
 Material - Plating Mating Tin
 Material - Plating Termination Tin
 Net Weight 0.431/g
 Orientation Straight
 Packaging Type Bag
 Plating min - Mating 2.540µm
 Plating min - Termination 2.540µm
 Polarized to Mating Part No
 Tab Thickness 0.51mm
 Tab Width 2.79mm
 Temperature Range - Operating -50° to +105°C
 Termination Interface: Style Crimp or Compression
 Wire Insulation Diameter 3.70mm max.
 Wire Size AWG 14, 16
 Wire Size mm² 1.30-2.00

Electrical

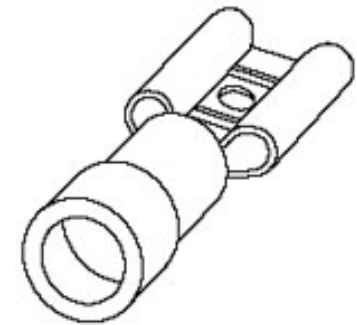
Voltage - Maximum 600V

Solder Process Data

Lead-free Process Capability N/A

Material Info

Engineering Number BB-2132



Series image - Reference only

EU ELV

Not Relevant

EU RoHS

Compliant

REACH SVHC

Not Contained Per
 -ED/88/2018 (15
 January 2019)

Halogen-Free

Status

Not Low-Halogen

For more information, please visit [Contact US](#)

China ROHS

ELV

RoHS Phthalates

Green Image

Not Relevant

Not Contained

Search Parts in this Series

[19017 Series](#)

Application Tooling | FAQ

Tooling specifications and manuals are found by selecting the products below. Crimp Height Specifications are then contained in the Application Tooling Specification document.

Global

Description

Product #

PremiumGrade Hand [640010200](#)
 Crimp Tool
 Crimp Head for the [640050200](#)
 AT-200 Pneumatic
 Hand Tool

Reference - Drawing Numbers

Product Specification

Sales Drawing

PS-19902-008-001, PS-19902-011-001,

PS-19902-013-001

CD2903, SD-19017-003

This document was generated on 09/19/2019

PLEASE CHECK WWW.MOLEX.COM FOR LATEST PART INFORMATION

Mouser Electronics

Authorized Distributor

Click to View Pricing, Inventory, Delivery & Lifecycle Information:

[Molex:](#)

[19017-0023](#)