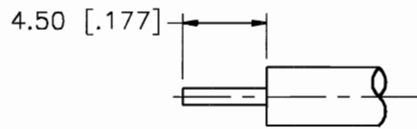
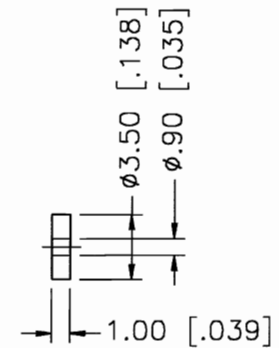
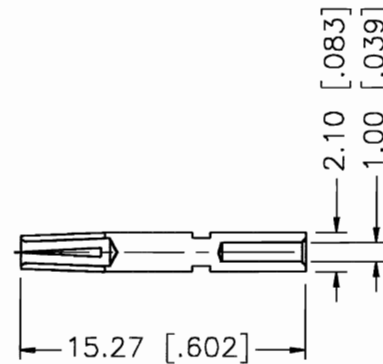
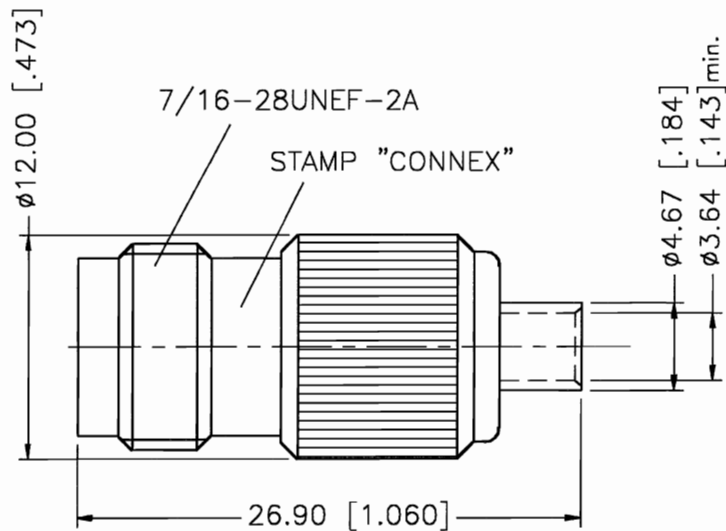



REV.	DATE	DESCRIPTION
A	02/06/00	ADD BARREL PLATING



RECOMMENDED
CABLE STRIPPING DIM'S



DESCRIPTION	MATERIAL	FINISH	UNLESS OTHERWISE SPECIFIED DIMENSIONS ARE IN MILLIMETERS	APPROVALS	DATE					
1 BODY	BRASS	NICKEL	DIMENSIONS IN [] ARE IN INCHES FOR CUSTOMER REFERENCE ONLY UNLESS OTHERWISE SPECIFIED TOLERANCES FOR MILLIMETERS ARE: 0.5-6 = ± 0.2 6-30 = ± 0.4 30-120 = ± 0.6 120-315 = ± 1 315-1000 = ± 1.6 1000-2000 = ± 2.4	DRAWN	G.R.S.					02/06/00
2 INSULATOR	TEFLON	NATURAL		CHECKED			SIZE	FSCM NO.	DWG. NO.	REV.
3 CONTACT PIN	PHOS. BRONZE	GOLD		A	99001	122423.DWG	A			
4 BARREL	BRASS	GOLD		SCALE	NA	PART NO.	122423	SHEET	1 OF 1	
5										
6										
7										
8				DO NOT SCALE DRAWING						

Mouser Electronics

Authorized Distributor

Click to View Pricing, Inventory, Delivery & Lifecycle Information:

[Amphenol:](#)

[122423](#)