

4

3

2

1

THIS DRAWING IS UNPUBLISHED.

RELEASED FOR PUBLICATION

© COPYRIGHT

ALL RIGHTS RESERVED.

LOC DIST

REVISIONS

| P | LTR | DESCRIPTION | DATE | DWN | APVD |
|---|-----|-------------|------|-----|------|
| | | | | | |
| | | | | | |
| | | | | | |
| | | | | | |

REPLACED BY OCEAN STYLE APPLICATOR PART NUMBER

FOR REPLACEMENT PARTS FOR APPLICATOR REFER TO ADDITIONAL PAGE(S). SPARE PARTS KIT (IF LISTED) WILL REMAIN AVAILABLE.

THE REPLACEMENT OCEAN STYLE APPLICATOR HAS THE SAME TERMINATOR/PRESS INTERFACE AS APPLICATOR

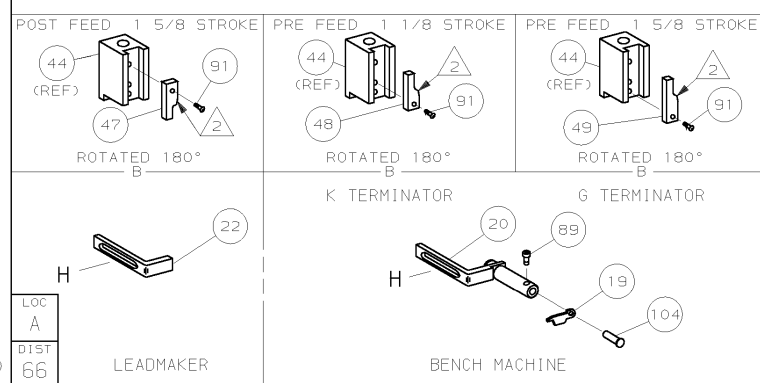
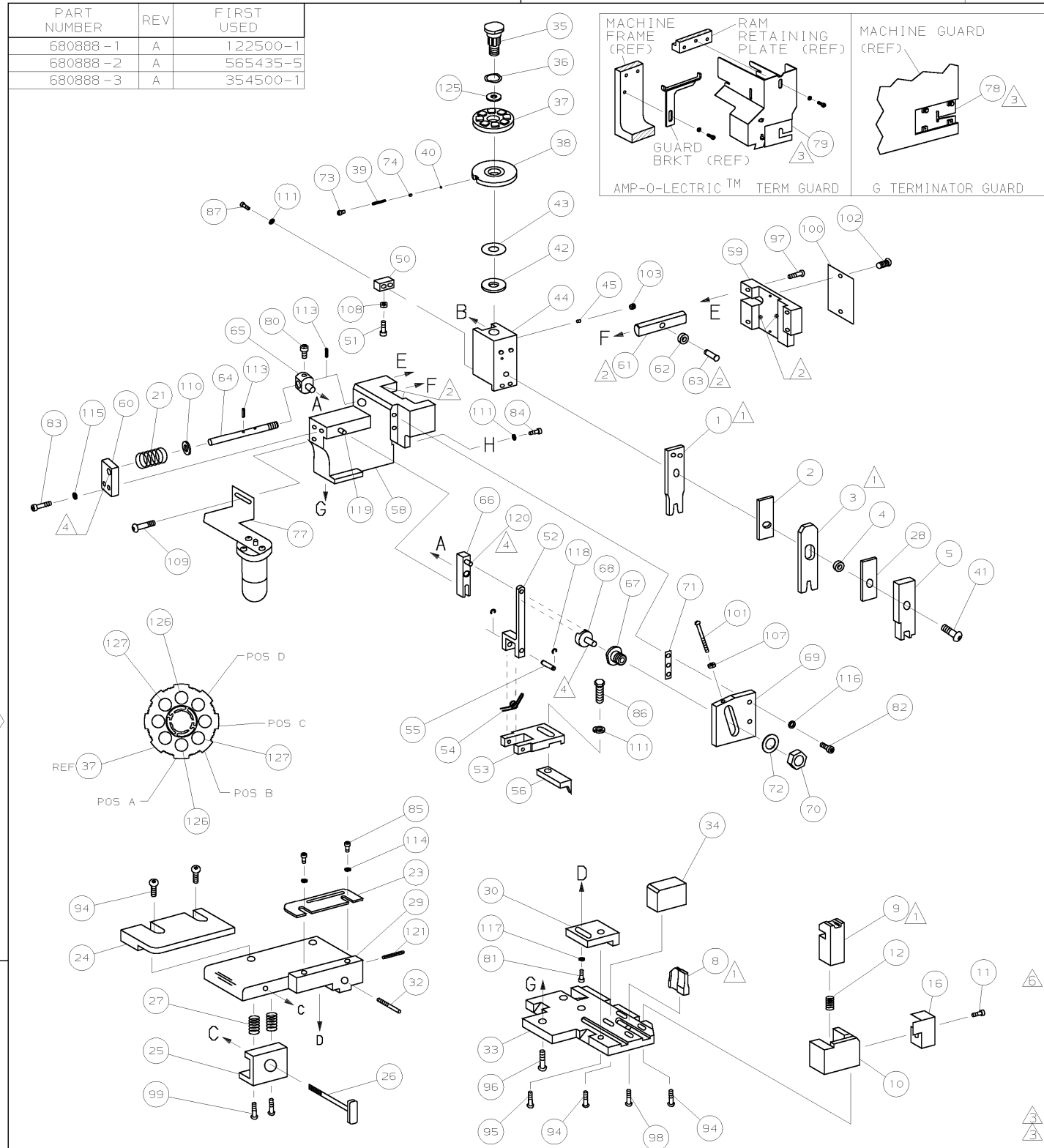
| | | | | | |
|---|--------|------------------|---|-----------|------------|
| THIS DRAWING IS A CONTROLLED DOCUMENT. | | DWN |  TE Connectivity | | |
| DIMENSIONS: | | CHK | | | |
| TOLERANCES UNLESS OTHERWISE SPECIFIED: | | APVD | NAME | | |
|  | | PRODUCT SPEC | RESTRICTED TO | | |
| | | APPLICATION SPEC | SIZE | CAGE CODE | DRAWING NO |
| MATERIAL | FINISH | WEIGHT | A3 | C- | |
| | | SCALE | SHEET | OF | REV |

DRAWING MADE IN THIRD ANGLE PROJECTION

680888 680888

/home/amp18246

| PART NUMBER | REV | FIRST USED |
|-------------|-----|------------|
| 680888-1 | A | 122500-1 |
| 680888-2 | A | 565435-5 |
| 680888-3 | A | 354500-1 |



- 1 RECOMMENDED SPARE PARTS.
- 2 GREASE LIGHTLY.
- 3 GUARD MUST BE IN PLACE WHEN OPERATING APPLICATOR IN A BENCH MACHINE.
- 4 LUBRICATE DAILY USING NO. 20 MACHINE OIL.
- 5. ITEMS WITH QTY OF REF SPECIFIED (EXCEPT ITEMS 78 AND 79) ARE USED ON ITEM 46.
- 6 CUT TO LENGTH AT ASSY

| TERMINAL NAME: BODY-PIN CONTACT | |
|---------------------------------|--------|
| PIN | SOCKET |
| 203816 | 203802 |
| 166046 | 164153 |
| 166044 | |

| CRIMP DATA (AMP TERMINAL) | | | |
|---------------------------|---------------------------|-----------------|--|
| PAD LTR | CRIMP HEIGHT | WIRE SIZE | |
| A | .034 ±.002 [0.86 ±0.05mm] | 20 | |
| B | .028 ±.002 [0.71 ±0.05mm] | 22, 24or (2) 26 | |
| C | NOT | USED | |
| D | NOT | USED | |

| CRIMP | SIZE | TYPE | RANGE |
|-------|---------------|------|----------|
| WIRE | .055 [1.40mm] | F | 24-20 |
| INSUL | .070 [1.78mm] | 0 | .062 MAX |

| WIRE STRIP LENGTH | TERM APPL SPEC | FEED | APPL INSTRUCTION | SET UP GAGE | LAYOUT |
|-------------------|----------------|------|------------------|-------------|--------|
| .109-.140 | 114-10002 | .300 | 408-8040 | 458637-1 | A18040 |

| QTY | REQD | PER | ASSY | PARTS LIST |
|-----|------|-----|------|--|
| 1 | 1 | 1 | - | A 4-21028-0 PIN, SLT SPR (ø.093x.75) ST GDE PL 121 |
| REF | REF | REF | - | A 1-21030-1 PIN, DOWEL (ø.187x.50) LEVER 120 |
| REF | REF | REF | - | A 1-21030-6 PIN, DOWEL (ø.187x1.25) HOUSING 119 |
| REF | REF | REF | - | A 21045-3 RING, RET "C" (ø.187) FD FING PIN 118 |
| 1 | 1 | 1 | - | A 21024-5 WASHER, LOCK (#10) ADJ BLOCK 117 |
| REF | REF | REF | - | A 21024-5 WASHER, LOCK (#10) ADJ PLATE 116 |
| REF | REF | REF | - | A 21024-5 WASHER, LOCK (#10) FEED GDE ROD 115 |
| 2 | 2 | 2 | - | A 21024-2 WASHER, LOCK (#4) FRONT STP GUIDE 114 |
| REF | REF | REF | - | A 5-21028-1 PIN, SLT SPR (ø.125x.50) ADJ ROD 113 |
| | | | | 112 |
| 4 | 4 | 4 | - | A 21024-4 WASHER, LOCK (#8) STRIPPER 111 |
| REF | REF | REF | - | A 21899-4 WASHER, FLAT (ø5/16) SCREW ADJ 110 |
| - | 1 | - | - | A 2-21002-6 SCR, BHC (10-32x.38) LUBE ASSY 109 |
| 1 | 1 | 1 | - | A 21018-5 NUT, HEX (NO. 6) HOLDDOWN 108 |
| REF | REF | REF | - | A 21068-5 NUT, HEX (6-32) FEED ADJ 107 |
| | | | | 106 |
| | | | | 105 |
| 1 | 1 | - | - | A 992031-1 PIN, CLEVIS 104 |
| 1 | 1 | 1 | - | A 21009-2 SCR, 5KT 5ET (1/4-20x.25 LW) RAM 103 |
| 2 | 2 | 2 | - | A 21017-2 SCR, DRIVE (#2x.19) ID PLATE 102 |
| REF | REF | REF | - | A 6-23715-5 SCR, PAN HD (6-32x1.50) FEED ADJ 101 |
| 1 | 1 | 1 | - | B 461264-1 PLATE, IDENTIFICATION 100 |
| 2 | 2 | 2 | - | A 3-21002-0 SCR, BHC (10-32x.88) DRAG 99 |
| 1 | 1 | 1 | - | A 22733-8 SCR, BHC (8-32x.38 LW) ANVIL 98 |
| REF | REF | REF | - | A 2-21002-9 SCR, BHC (10-32x.75) CAP 97 |
| REF | REF | REF | - | A 2-22733-8 SCR, BHC (1/4-20x.62) HOUSING 96 |
| REF | REF | REF | - | A 2-21002-7 SCR, BHC (10-32x.50) 56 ADJ BLOCK 95 |
| 4 | 4 | 4 | - | A 2-21002-2 SCR, BHC (8-32x.50) TERM H DWN 94 |
| | | | | 93 |
| | | | | 92 |
| 1 | 1 | 1 | - | A 1-21002-7 SCR, BHC (6-32x.38) CAM 91 |
| | | | | 90 |
| 1 | 1 | - | - | A 7-21000-9 SCR, SHC (4-40x.19) STRIPPER 89 |
| | | | | 88 |
| 2 | 2 | 2 | - | A 2-21000-7 SCR, SHC (8-32x.48) DEP-HOLD 87 |
| 1 | 1 | 1 | - | A 2-22603-0 SCR, HEX HD (8-32x.31) FEED FINGER 86 |
| 2 | 2 | 2 | - | A 1-21000-3 SCR, SHC (4-40x.25) F ST GUIDE 85 |
| 1 | 1 | 1 | - | A 2-21000-7 SCR, SHC (8-32x.50) STRIPPER 84 |
| REF | REF | REF | - | A 3-21000-7 SCR, SHC (10-32x.75) FEED ROD GD 83 |
| REF | REF | REF | - | A 3-21000-6 SCR, SHC (10-32x.62) FD ADJ BLK 82 |
| 1 | 1 | 1 | - | A 3-21000-4 SCR, SHC (10-32x.38) 56 ADJ BL 81 |
| REF | REF | REF | - | A 3-21000-4 SCR, SHC (10-32x.38) PIVOT BLK 80 |
| - | REF | - | - | B 455749-1 GUARD, WINDOW 79 |
| REF | - | - | - | B 679532-1 INSERT, GUARD 78 |
| - | 1 | - | - | C 1-465184-0 LUBRICATOR ASSY 77 |
| | | | | 76 |
| | | | | 75 |
| 1 | 1 | 1 | - | A 690603-1 SPRING, ASSIST 74 |
| 1 | 1 | 1 | - | A 23030-1 SCR, SHC (6-32x.25 SL) INS DISC 73 |
| REF | REF | REF | - | A 458109-1 WASHER, SPECIAL 72 |
| REF | REF | REF | - | A 690517-1 SPACER 71 |
| -3 | -2 | -1 | U/M | DWG SIZE PART NO DESCRIPTION ITEM NO |
| | | | | QTY REQD PER ASSY PARTS LIST |

| LEADMAKER | | MECH POST FEED | | |
|---------------|-----|----------------|-----|---|
| BENCH MODEL K | | MECH PRE FEED | | |
| BENCH MODEL G | | MECH PRE FEED | | |
| REF | REF | REF | - | B 22594-8 NUT, HEX (1/2-20) 70 |
| REF | REF | REF | - | B 240628-1 PLATE, ADJUSTMENT 69 |
| REF | REF | REF | - | B 240626-1 SHAFT, PIVOT 68 |
| REF | REF | REF | - | B 240633-1 BUSHING 67 |
| REF | REF | REF | - | A 455680-1 LEVER, INTERMEDIATE 66 |
| REF | REF | REF | - | B 240629-1 BLOCK, PIVOT 65 |
| REF | REF | REF | - | A 240632-2 SCREW, ADJ FEED ROD 64 |
| REF | REF | REF | - | B 240659-3 PIN, CAM ROLLER 63 |
| REF | REF | REF | - | B 240658-1 ROLLER, CAM 62 |
| REF | REF | REF | - | B 454398-2 ROD, FEED 61 |
| REF | REF | REF | - | A 454178-1 GUIDE, FEED ROD 60 |
| REF | REF | REF | - | C 454220-1 CAP, RAM 59 |
| REF | REF | REF | - | D 454485-1 HOUSING 58 |
| | | | | 57 |
| 1 | 1 | 1 | - | B 690542-2 PAWL, FEED 56 |
| REF | REF | REF | - | B 240624-1 PIN, FEED FINGER 55 |
| REF | REF | REF | - | B 691499-1 SPRING, FEED FINGER 54 |
| REF | REF | REF | - | B 690541-1 HOLDER, FEED FINGER 53 |
| REF | REF | REF | - | A 455679-1 LEVER, TERMINAL FEED ARM 52 |
| 1 | 1 | 1 | - | A 811242-2 BUMPER, HOLDDOWN 51 |
| 1 | 1 | 1 | - | A 690753-1 SPACER, TONKER 50 |
| 1 | - | - | - | B 690602-6 CAM, PRE-FEED 1 5/8 ST 49 |
| - | 1 | - | - | B 690602-5 CAM, PRE-FEED 1 1/8 ST 48 |
| - | - | 1 | - | B 690501-4 CAM, POST-FEED 1 5/8 ST 47 |
| 1 | 1 | 1 | - | B 459456-1 APPLICATOR, BASIC (SUBASSY) 46 |
| 1 | 1 | 1 | - | A 690191-1 PLUG, NYLON 45 |
| 1 | 1 | 1 | - | C 455673-1 RAM 44 |
| 1 | 1 | 1 | - | A 690125-1 WASHER, LAMINATED 43 |
| 1 | 1 | 1 | - | A 690124-1 WASHER, RAM 42 |
| 1 | 1 | 1 | - | A 7-21002-9 BOLT, CRIMPER (5/16x1.00) 41 |
| 1 | 1 | 1 | - | A 23241-6 BALL, STEEL 40 |
| 1 | 1 | 1 | - | A 690170-1 SPRING, COMPRESSION 39 |
| 1 | 1 | 1 | - | C 690142-4 DISC, INSULATION 38 |
| 1 | 1 | 1 | - | D 354777-1 WIRE DISC, PLASTIC 37 |
| 1 | 1 | 1 | - | A 22480-5 WASHER, SPRING 36 |
| 1 | 1 | 1 | - | B 690212-1 POST, RAM 35 |
| 1 | 1 | 1 | - | B 692776-1 SUPPORT, TERMINAL 34 |
| REF | REF | REF | - | D 455675-1 PLATE, BASE 33 |
| 1 | 1 | 1 | - | A 690432-3 SCREW, ADJUSTMENT 32 |
| | | | | 31 |
| REF | REF | REF | - | B 455689-1 BLOCK, STRIP GUIDE ADJ 30 |
| 1 | 1 | 1 | - | C 455671-1 PLATE, STRIP GUIDE 29 |
| 1 | 1 | 1 | - | C 1-455888-0 SPACER, FRONT SHEAR DEP 28 |
| 2 | 2 | 2 | - | A 1-22284-0 SPRING, DRAG 27 |
| 1 | 1 | 1 | - | B 690546-1 LEVER, DRAG RELEASE 26 |
| 1 | 1 | 1 | - | B 240792-1 DRAG, TERMINAL 25 |
| 1 | 1 | 1 | - | D 6-690504-3 GUIDE, STRIP (REAR) 24 |
| 1 | 1 | 1 | - | A 690438-1 GUIDE, STRIP (FRONT) 23 |
| - | - | 1 | - | B 690472-2 STRIPPER 22 |
| REF | REF | REF | - | A 4-22284-9 SPRING, FEED RETURN 21 |
| 1 | 1 | - | - | A 679218-1 STRIPPER WIRE STOP ASSY 20 |
| 1 | 1 | - | - | B 458949-1 STRIPPER 19 |
| | | | | 18 |
| | | | | 17 |
| 1 | 1 | 1 | - | B 318563-1 GUARD, CHIP, FRONT 16 |
| | | | | 15 |
| | | | | 14 |
| | | | | 13 |
| 1 | 1 | 1 | - | A 5-22280-0 SPRING, SHEAR 12 |
| 1 | 1 | 1 | - | B 690461-1 STOP, SHEAR 11 |
| 1 | 1 | 1 | - | C 690459-4 HOLDER, SHEAR (FRONT) 10 |
| 1 | 1 | 1 | - | C 462006-1 SHEAR, FLOAT (FRONT) 9 |
| 1 | 1 | 1 | - | C 1-690514-5 ANVIL 8 |
| | | | | 7 |
| | | | | 6 |
| 1 | 1 | 1 | - | C 2-455889-0 DEPRESSOR, SHEAR (FRONT) 5 |
| 1 | 1 | 1 | - | B 2-238011-0 SPACER, BLOCK CRIMPER 4 |
| 1 | 1 | 1 | - | C 7-456135-7 CRIMPER, INSULATION 3 |
| 1 | 1 | 1 | - | C 455888-1 SPACER, CRIMPER 2 |
| 1 | 1 | 1 | - | C 1-456402-4 CRIMPER, WIRE 1 |
| -3 | -2 | -1 | U/M | DWG SIZE PART NO DESCRIPTION ITEM NO |
| | | | | QTY REQD PER ASSY PARTS LIST |

Mouser Electronics

Authorized Distributor

Click to View Pricing, Inventory, Delivery & Lifecycle Information:

[TE Connectivity:](#)

[680888-1](#)