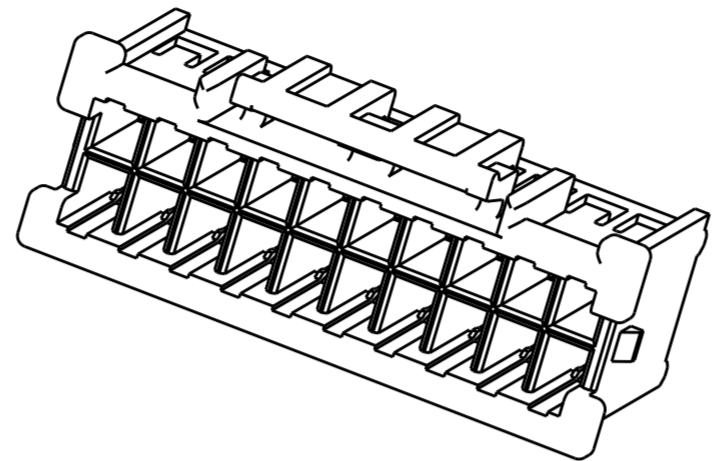
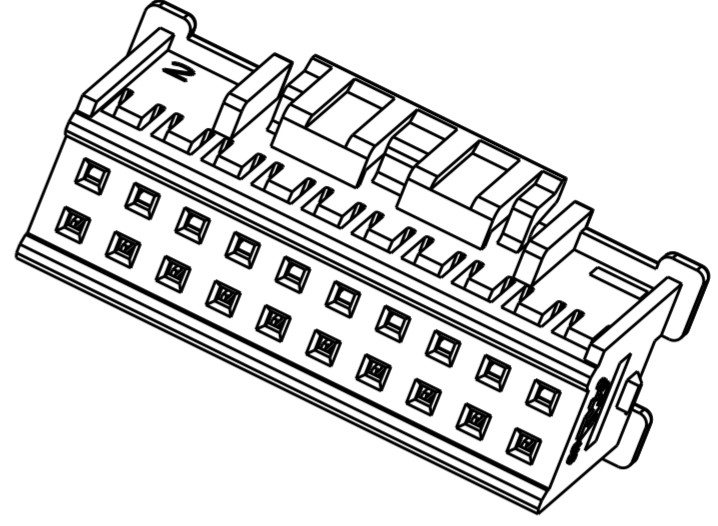


THIS DRAWING IS UNPUBLISHED. RELEASED FOR PUBLICATION 20
 © COPYRIGHT 20 BY - ALL RIGHTS RESERVED.

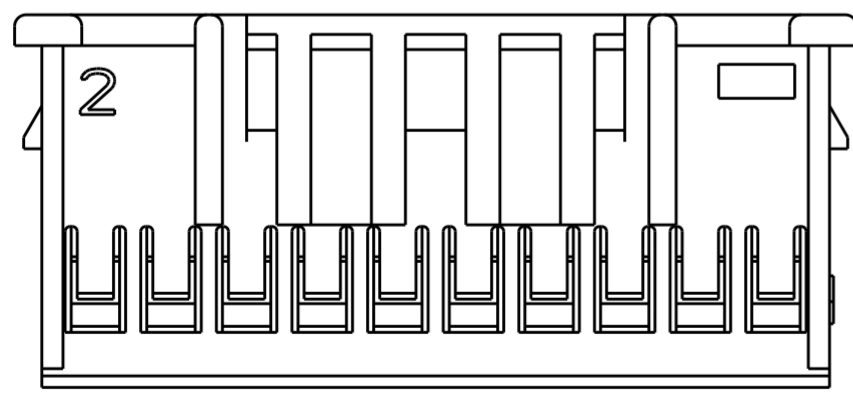
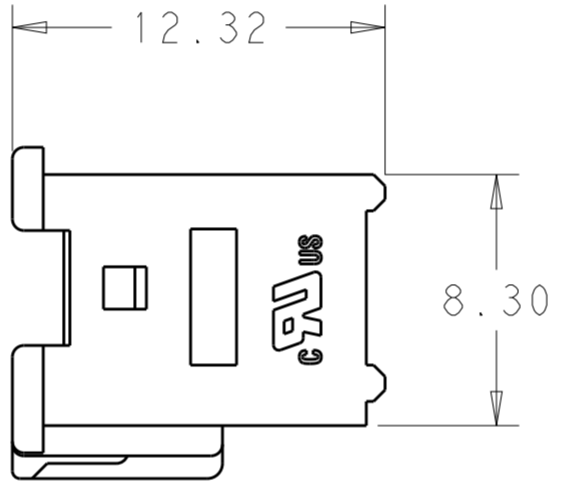
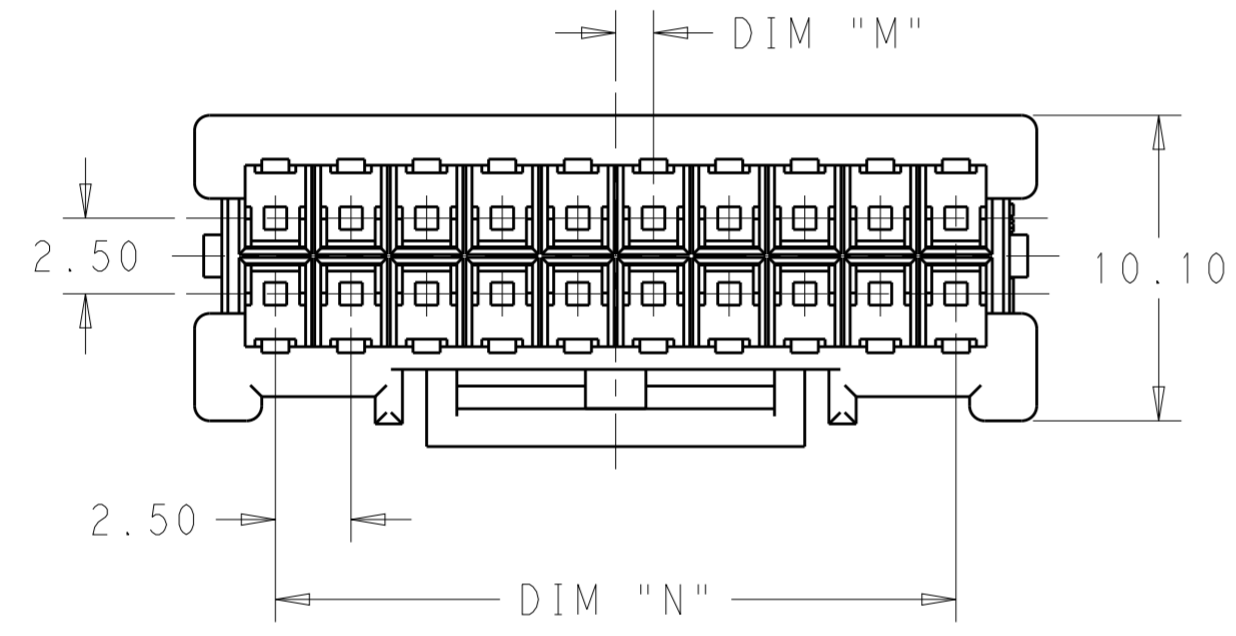
REVISIONS							
LOC	DIST	P	LTR	DESCRIPTION	DATE	DWN	APVD
-	-	B		REVISED PER ECR-16-000965	04MAY16	O.C	D.Z



3D REAR VIEW
20 POSITION SHOWN



3D MATING FACE VIEW
20 POSITION SHOWN



- 1 MATERIAL: NYLON, UL94V-0, FLAME REDARDANT, COLOR:NATURAL.
- 2 PARTS TESTED TO IEC 60695-2-11 AND IS COMPLIANT TO IEC 60335-1.
- 3 HOUSING, MATERIAL MEETS MINIMUM GLOW WIRE FLAMMIBILITY INDEX OF 850°C PER IEC 60695-2-12 AND MINIMUM GLOW WIRE IGNITION TEMP OF 775°C PER IEC 60695-2-13.
- 4 SEE SHEET 2 FOR LATCH DESIGN ON THE DIFFERENT PART NUMBERS.

1.25	2	47.50	51.04	4-1969567-0
0.00	2	45.00	48.54	3-1969567-8
1.25	2	42.50	46.04	3-1969567-6
0.00	2	40.00	43.54	3-1969567-4
1.25	2	37.50	41.04	3-1969567-2
0.00	2	35.00	38.54	3-1969567-0
1.25	2	32.50	36.04	2-1969567-8
0.00	2	30.00	33.54	2-1969567-6
1.25	2	27.50	31.04	2-1969567-4
0.00	2	25.00	28.54	2-1969567-2
1.25	2	22.50	26.04	2-1969567-0
0.00	2	20.00	23.54	1-1969567-8
1.25	1	17.50	21.04	1-1969567-6
0.00	1	15.00	18.54	1-1969567-4
1.25	1	12.50	16.04	1-1969567-2
0.00	1	10.00	13.54	1-1969567-0
1.25	1	7.50	11.04	1969567-8
DIM "M"	NO. OF LATCH CUT-OUTS	DIM "N"	DIM "L"	PART NO.

THIS DRAWING IS A CONTROLLED DOCUMENT.

DWN: JR RUTH 01OCT2012
 CHK: KURT RANDOLPH 01OCT2012
 APVD: KURT RSNDOLPH 01OCT2012

STE TE Connectivity

NAME: HOUSING, SOCKET, E.P. 2.5, DUAL ROW, GLOW WIRE

PRODUCT SPEC: 108-2418
 APPLICATION SPEC: 114-13315

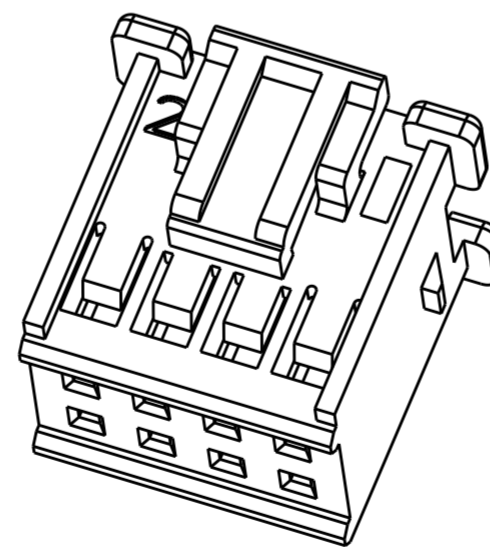
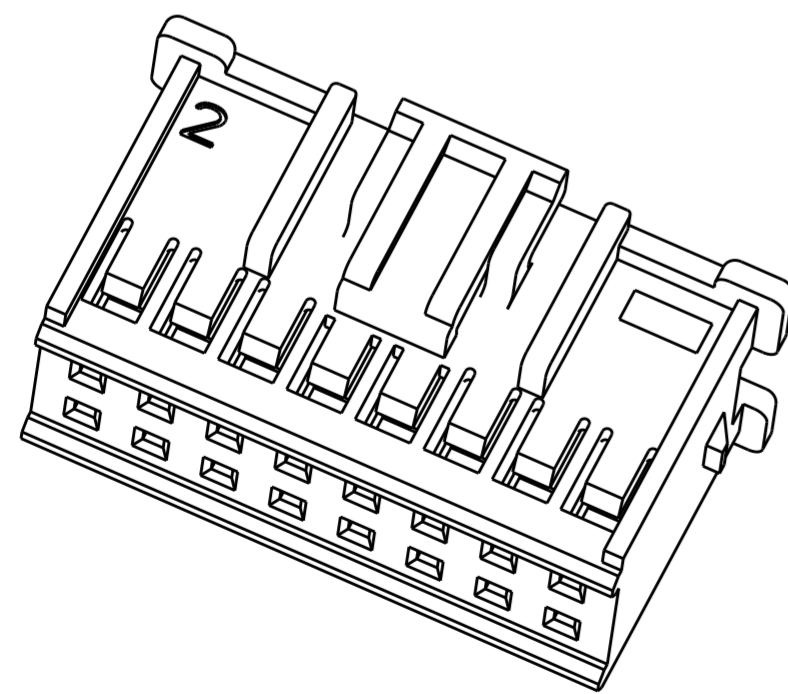
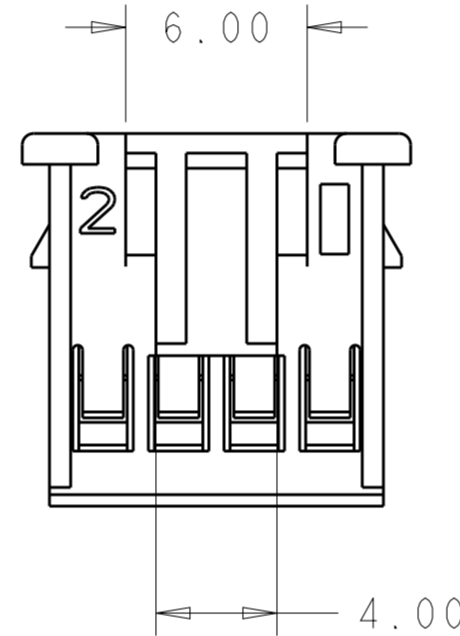
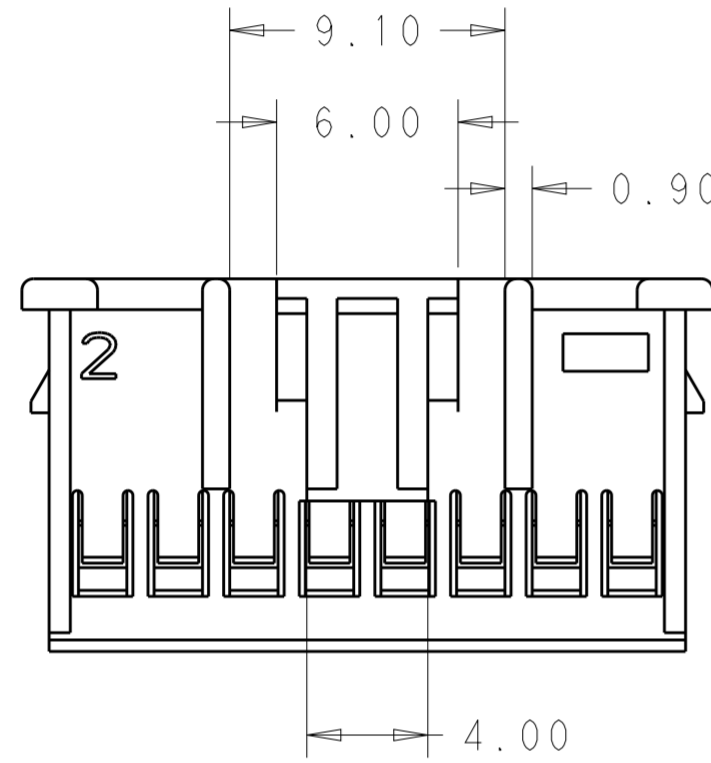
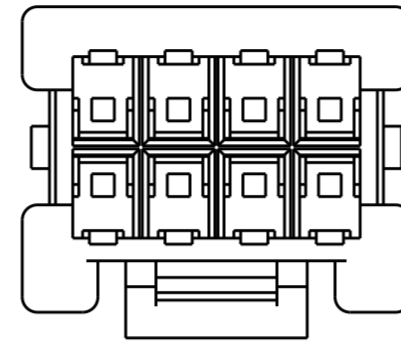
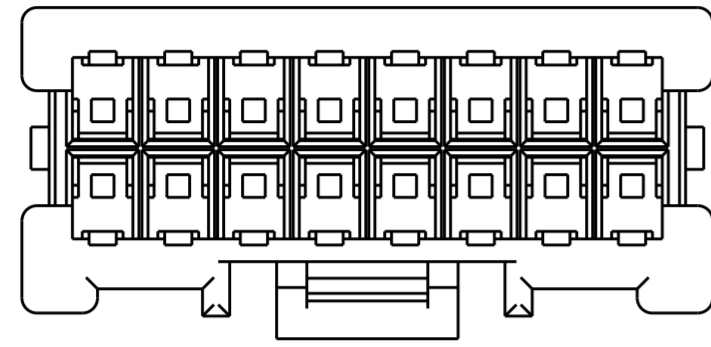
SIZE: A2 CAGE CODE: 00779 DRAWING NO: C-1969567 RESTRICTED TO: -

MATERIAL: SEE NOTES 1

SCALE: N/A SHEET 1 OF 2 REV B


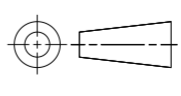
THIS DRAWING IS UNPUBLISHED. RELEASED FOR PUBLICATION 20
 © COPYRIGHT 20 BY - ALL RIGHTS RESERVED.

LOC	DIST	REVISIONS			
P	LTR	DESCRIPTION	DATE	DWN	APVD
-	-	SEE SHEET 1	-	-	-



SINGLE LATCH DETAIL
 1-1969567-6 SHOWN HERE
 THESE DIM'S ARE FOR THE
 1-1969567-2 THRU -16

SINGLE LATCH DETAIL
 1969567-8 SHOWN HERE
 THESE DIM'S ARE FOR THE
 1969567-8 AND 1-1969567-0

THIS DRAWING IS A CONTROLLED DOCUMENT.		DWN JR RUTH 01OCT2012	 TE Connectivity	
DIMENSIONS: mm		CHK KURT RANDOLPH 01OCT2012		
TOLERANCES UNLESS OTHERWISE SPECIFIED:		APVD KURT RSNDOLPH 01OCT2012	NAME HOUSING, SOCKET, E.P. 2.5, DUAL ROW, GLOW WIRE	
		PRODUCT SPEC 108-2418	RESTRICTED TO	
MATERIAL		APPLICATION SPEC 114-13315	SIZE A200779	CAGE CODE C-1969567
SEE NOTES		WEIGHT -	DRAWING NO -	
SEE NOTES		CUSTOMER DRAWING	SCALE N/A	SHEET 2 OF 2 REV B

Mouser Electronics

Authorized Distributor

Click to View Pricing, Inventory, Delivery & Lifecycle Information:

[TE Connectivity:](#)

[3-1969567-8](#)