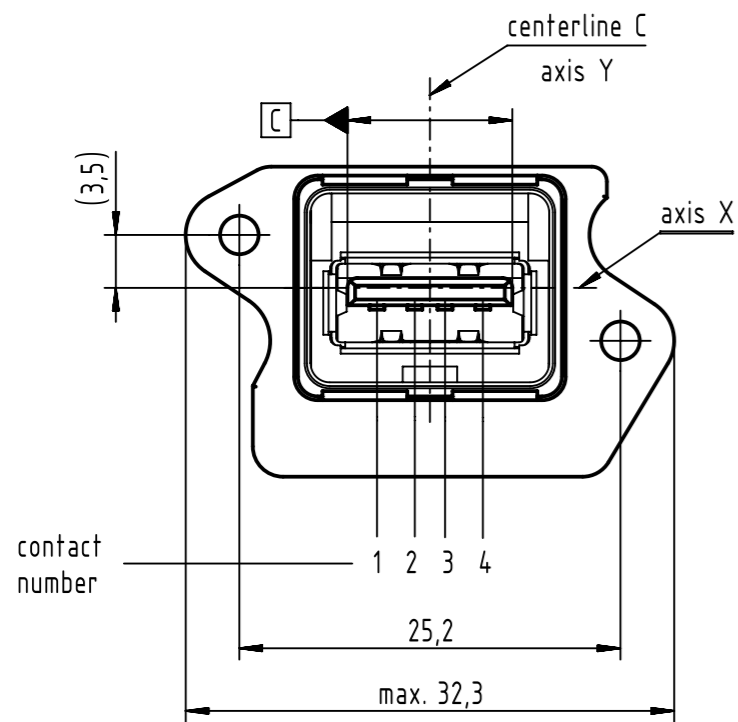
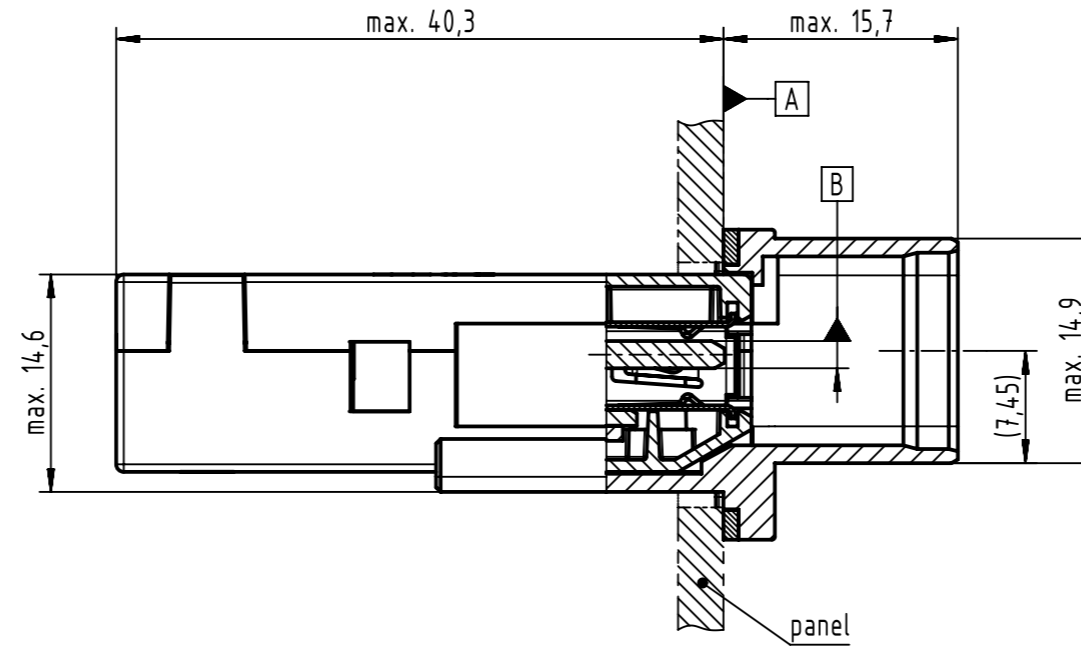


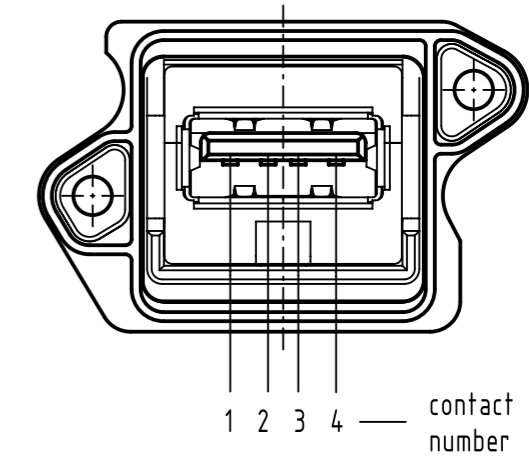
USB 2.0 type A



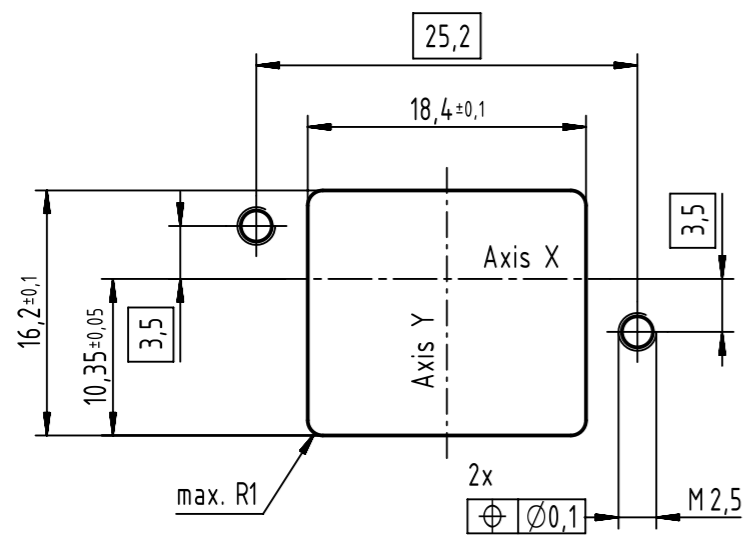
A-A



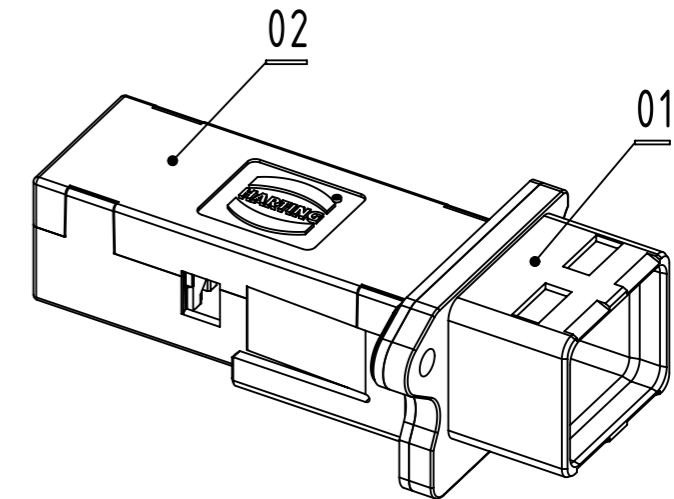
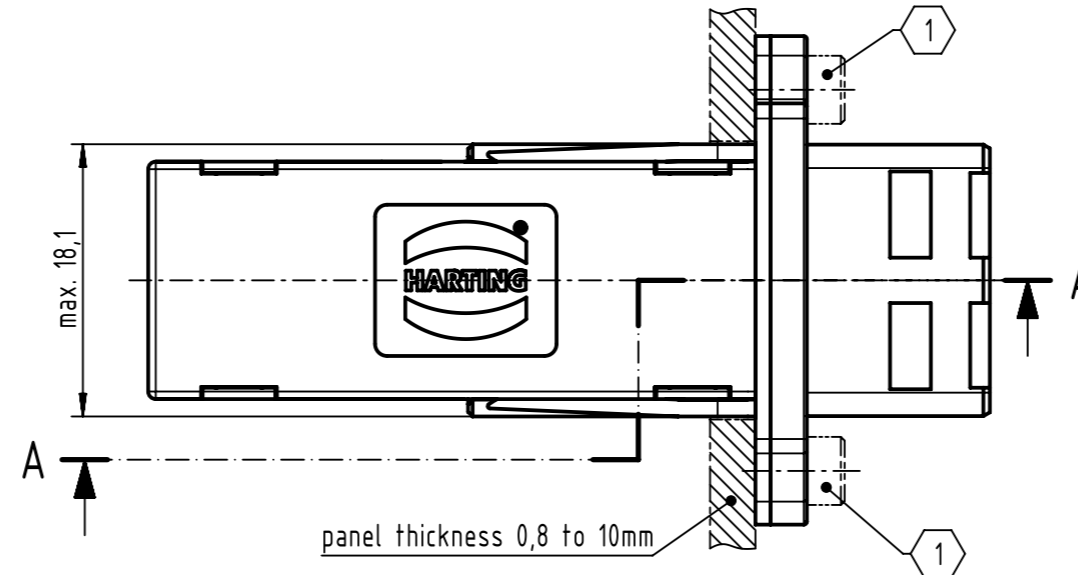
USB 2.0 type A



panel cutting



connector pitch on panel:
axis X = 27mm and axis Y = 21mm



loading-plan

V Bus	1	1
D-	2	2
D+	3	3
GND	4	4
Shield	Shell	Shell

further information see: DS 09456230202

- 1 screwing 2x M2,5 screws between 0,3 - 0,5Nm, screw acc. to ISO 4762
- order please separately
- references A, B and C acc. to USB specification 2.0, www.usb.org

02	1	USB 2.0 HIFF Bulkhead coupler type A-A	09455451901
01	1	HARTING PushPull housing Compact	09455450028
pos.	number	description	part-number
		All Dimensions in mm Original Size DIN A3	Scale 2:1 Free size tol.
		Ref. Sub. TB 09 45 245 1902 Mod: 36124 14.02.2012	
		All rights reserved Department EC PD - DE	Created by HASSE Inspected by LUETTERMANN Standardisation HOFFMANN Date 2013-06-28 State Final Release
HARTING Electronics GmbH D-32339 Espelkamp		Title HPP V4 PFT Compact style USB2.0 type A, 2 x jack Type TB Number 09452451902	
		Doc-Key / ECM-Nr. 100220659/UGD/016/A 50000063753	Rev. A Page 1/1

Mouser Electronics

Authorized Distributor

Click to View Pricing, Inventory, Delivery & Lifecycle Information:

[HARTING:](#)

[09452451902](#)