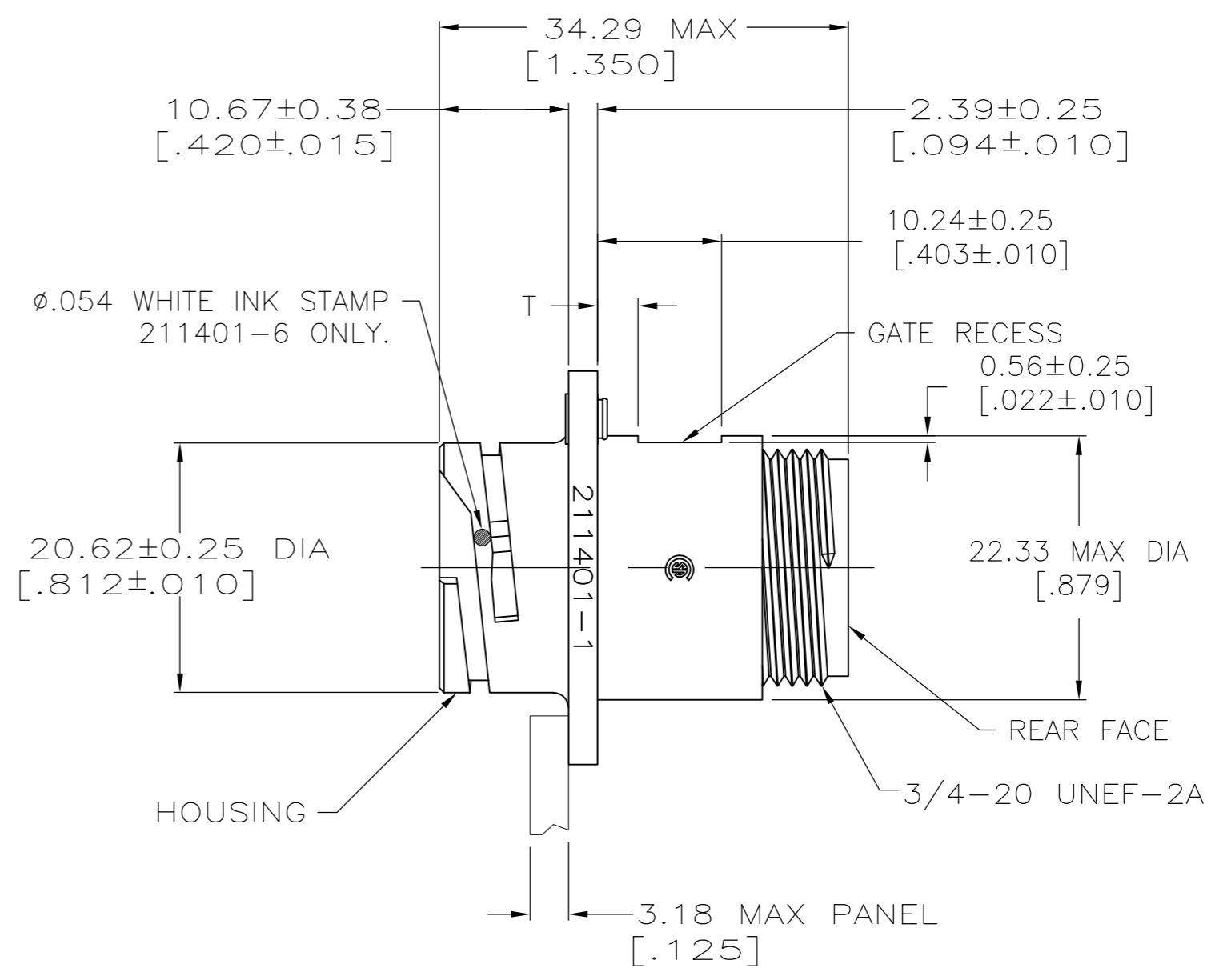
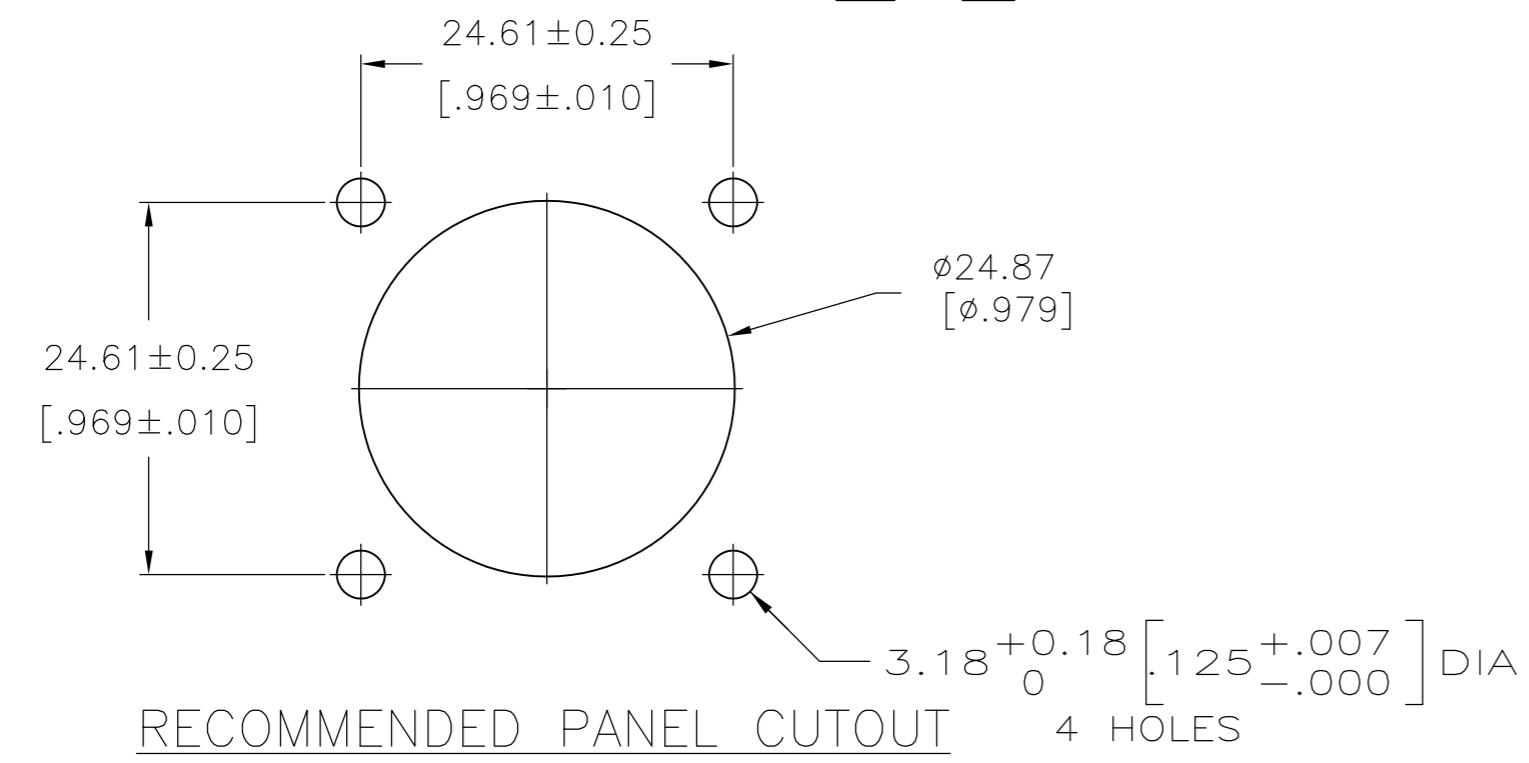
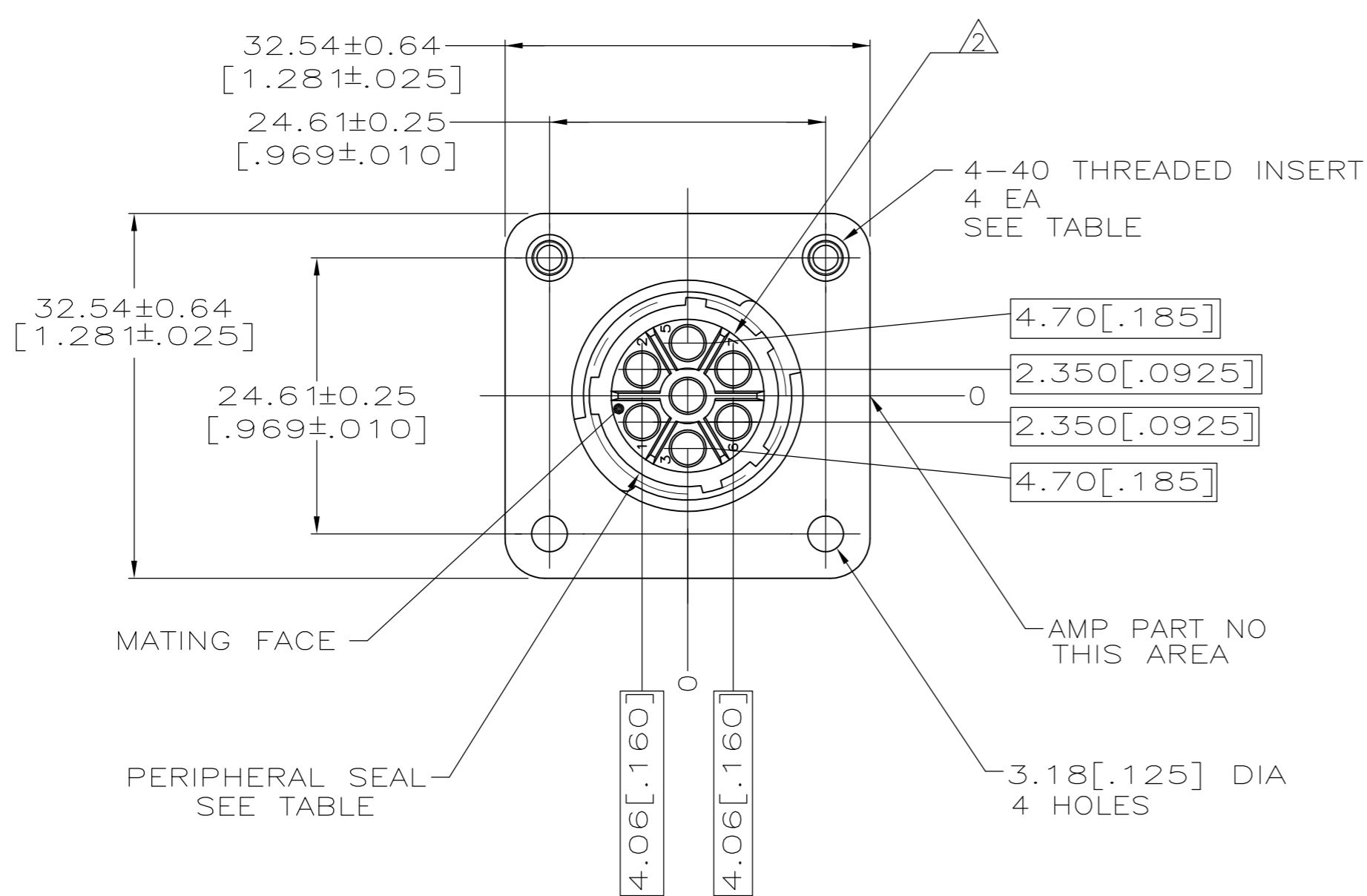


THIS DRAWING IS UNPUBLISHED. RELEASED FOR PUBLICATION
 © COPYRIGHT - By - ALL RIGHTS RESERVED.

REVISIONS					
P	LTR	DESCRIPTION	DATE	DWN	APVD
H1		REVISED PER ECO-11-004587	11MAR11	RK	HMR
J		REVISED PER ECO-17-000037	10MAR2017	RS	MZ



	3.35±0.25 [.132±.010]	NO	NO	3.81 [.150]	211401-8
OBSOLETE	1.83±0.25 [.072±.010]	NO	NO	3.81 [.150]	211401-6
5	1.83±0.25 [.072±.010]	YES	NO	2.54 [.100]	211401-5
	1.83±0.25 [.072±.010]	YES	NO	3.81 [.150]	211401-4
	1.83±0.25 [.072±.010]	NO	YES	3.81 [.150]	211401-3
	1.83±0.25 [.072±.010]	NO	NO	2.54 [.100]	211401-2
	1.83±0.25 [.072±.010]	NO	NO	3.81 [.150]	211401-1
T	4-40 THREADED INSERTS	PERIPHERAL SEAL	MAX WIRE INSULATION DIA	PART NUMBER	

- 1 HOUNSING: THERMOPLASTIC, BLACK.
PERIPHERAL SEAL: ELASTOMER, GRAY.
THREADED INSERTS: BRASS.
- 2 CAVITY IDENTIFICATION ON FRONT AND REAR FACE.
- 3. WILL ACCEPT SEVEN (7) MULTIMATE PIN CONTACTS.
- 4. .0050MAX FLASH PERMITTED IN THE AREA OF DIMENSION T, .020 MAX FLASH PERMITTED ON MATING FACE SIDE AND .025 MAX FLASH PERMITTED ON REAR FACE SIDE.
- 5 PRELIMINARY PART NUMBER.

THIS DRAWING IS A CONTROLLED DOCUMENT. DWN D.HARDY 08-01-94
 CHK R.STONE 08-10-94

DIMENSIONS: mm [INCHES] TOLERANCES UNLESS OTHERWISE SPECIFIED:

0 PLC	±	-
1 PLC	±	-
2 PLC	±	0.13 [.005]
3 PLC	±	-
4 PLC	±	-
ANGLES	±	-
FINISH	-	-

MATERIAL: FINISH: -

APVD: - PRODUCT SPEC: - APPLICATION SPEC: - WEIGHT: -

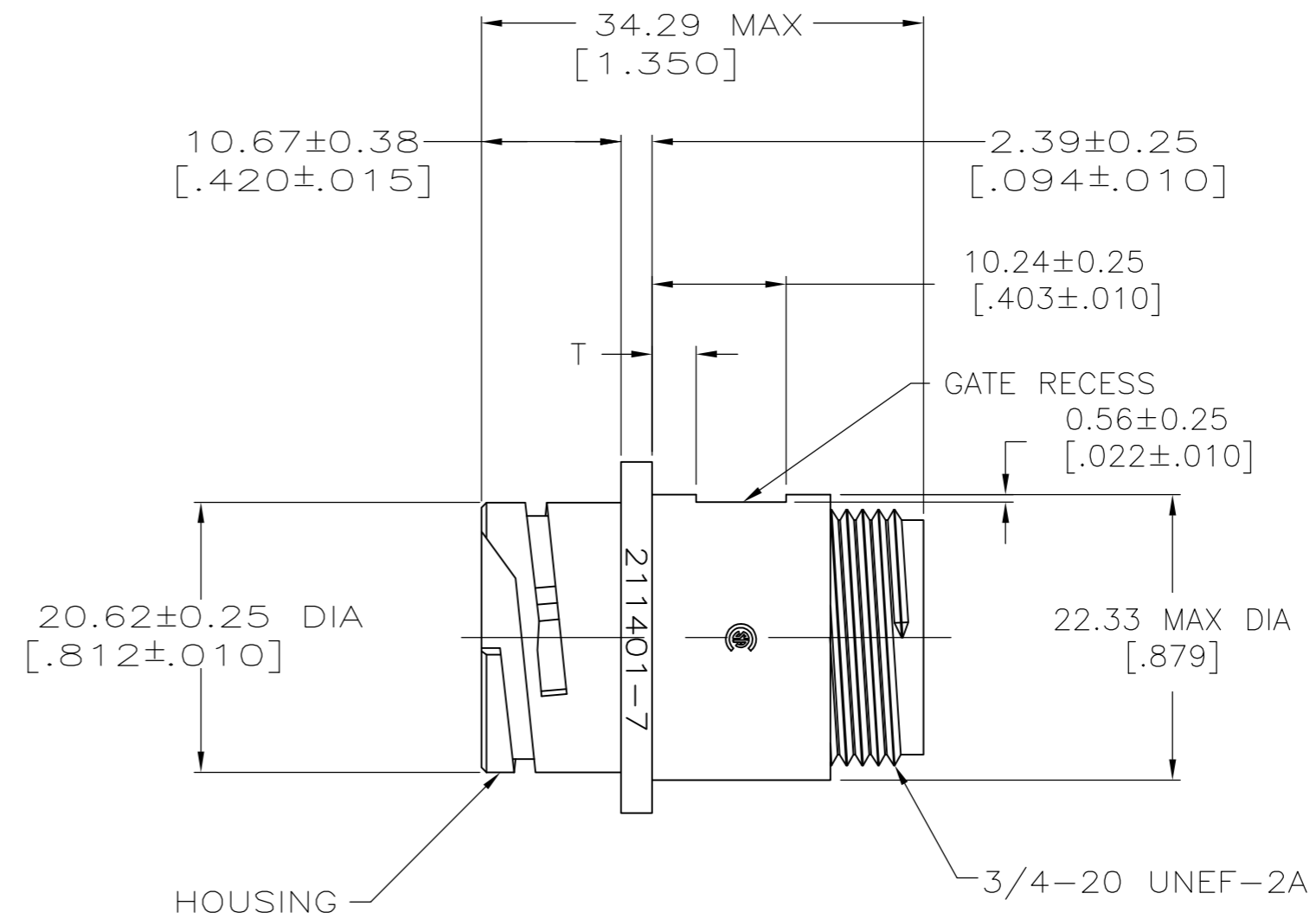
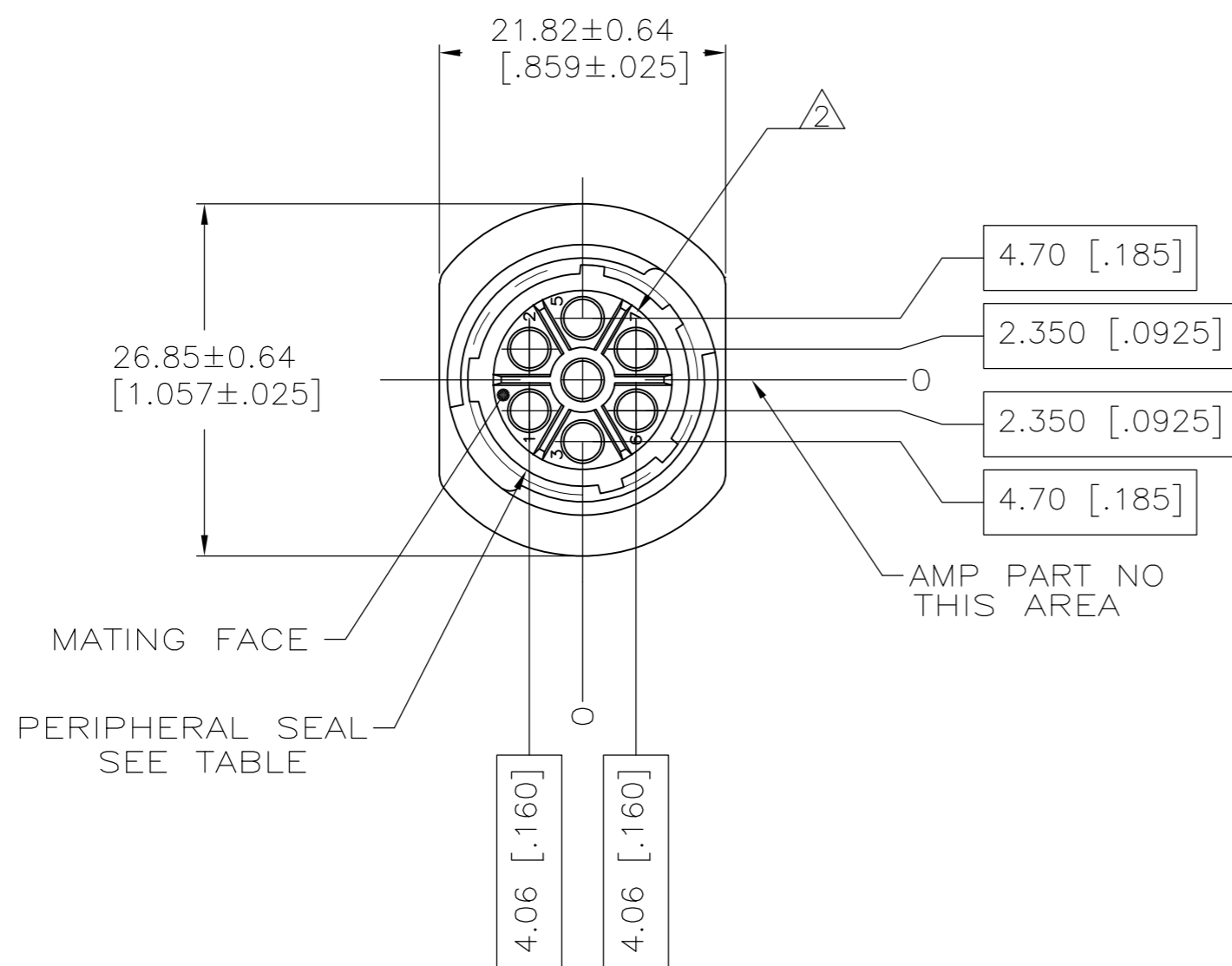
NAME: RECEPTACLE HOUSING, STANDARD SEX, 13-7, CPC

SIZE: A2 CAGE CODE: 00779 DRAWING NO: 211401 RESTRICTED TO: -

CUSTOMER DRAWING SCALE: 2:1 SHEET: 1 of 2 REV: J

THIS DRAWING IS UNPUBLISHED. RELEASED FOR PUBLICATION
 © COPYRIGHT - By - ALL RIGHTS RESERVED.

REVISIONS					
P	LTR	DESCRIPTION	DATE	DWN	APVD
-	-	SEE SHEET 1	-	-	-
-	-	SEE SHEET 1	-	-	-



① HOUSING: THERMOPLASTIC, BLACK.
 PERIPHERAL SEAL: ELASTOMER, GRAY.
 THREADED INSERTS: BRASS.

② CAVITY IDENTIFICATION ON FRONT AND REAR FACE.

3. WILL ACCEPT SEVEN (7) MULTIMATE PIN CONTACTS.

4. .005 MAX FLASH PERMITTED IN THE AREA OF DIMENSION T, .020 MAX FLASH PERMITTED ON MATING FACE SIDE AND .025 MAX FLASH PERMITTED ON REAR FACE SIDE.

1.83±0.25 [.072±.010]	NO	2.54 [.100]	211401-7
T	PERIPHERAL SEAL	MAX WIRE INSULATION DIA	PART NUMBER

THIS DRAWING IS A CONTROLLED DOCUMENT.		DWN D.HARDY 08-01-94	STE TE Connectivity	
		CHK R.STONE 08-10-94		
DIMENSIONS: mm [INCHES]		APVD -		NAME
TOLERANCES UNLESS OTHERWISE SPECIFIED:		PRODUCT SPEC -		
0 PLC ± -		APPLICATION SPEC -		SIZE CAGE CODE DRAWING NO RESTRICTED TO
1 PLC ± -		WEIGHT -		
2 PLC ± 0.13 [.005]		CUSTOMER DRAWING		A2 00779 C=211401
3 PLC ± -		SCALE 2:1		SHEET 2 OF 2
4 PLC ± -		REV J		
ANGLES ± -				
FINISH -				

Mouser Electronics

Authorized Distributor

Click to View Pricing, Inventory, Delivery & Lifecycle Information:

[TE Connectivity:](#)

[211401-2](#)