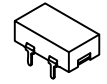
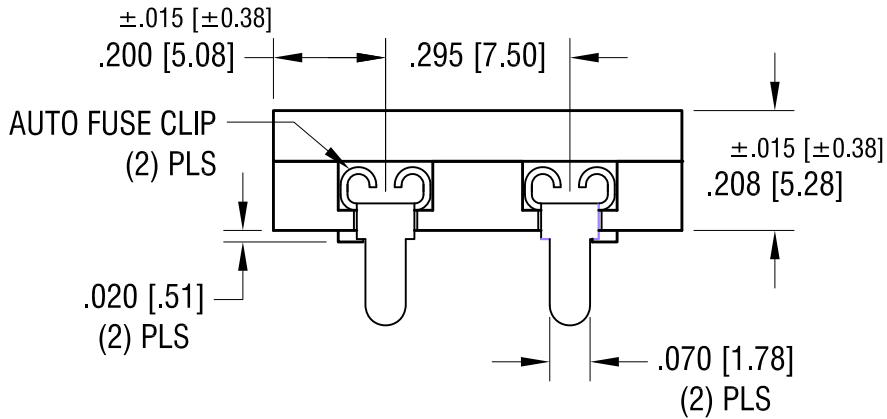
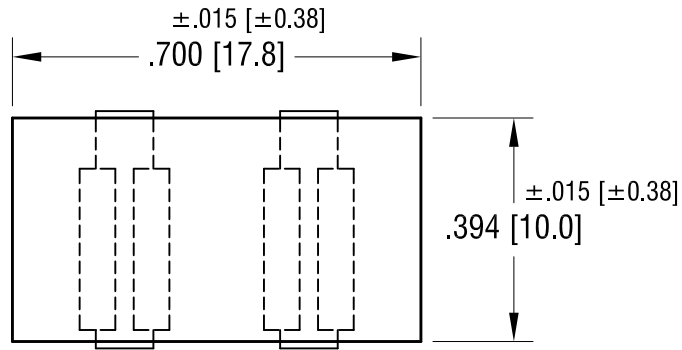
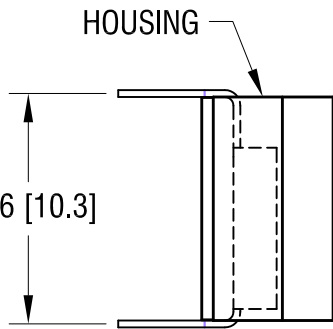
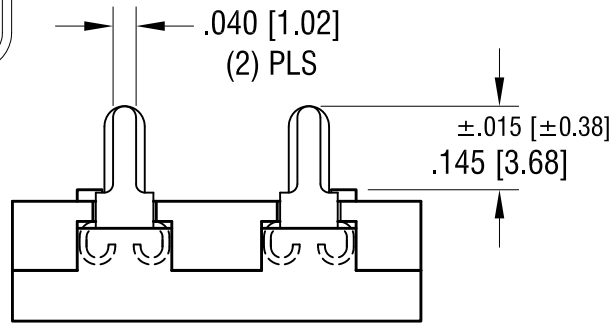
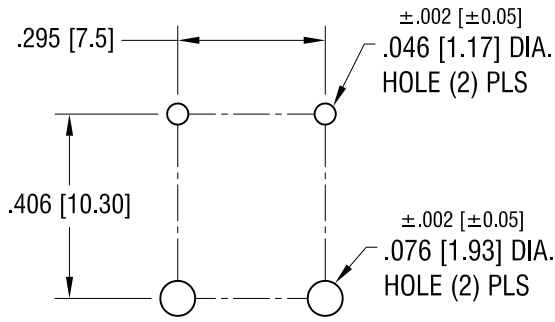


THIS DOCUMENT IS THE PROPERTY OF KEYSTONE ELECTRONICS CORP. AND SHALL NOT BE REPRODUCED, DISTRIBUTED OR USED AS A BASIS FOR MANUFACTURE WITHOUT PRIOR WRITTEN PERMISSION FROM KEYSTONE ELECTRONICS CORP.

**ACTUAL SIZE**



**MOUNTING DETAIL**



**NOTE:**

CLIP: MAT'L: .012 [0.30] TH'K BRASS, TIN PLATE  
 HOUSING: MAT'L: NYLON 66, UL 94V-0

DATE	DESCRIPTION	REV.
12.05.12	CHANGE AS PER ECN 12-157	D
6.21.12	CHANGE AS PER ECN 12-075	C
11.20.09	MATERIAL WAS PBT, UL 94V-0	B
9.24.08	CHANGE AS PER ECN 08-164	A

<b>KEYSTONE ELECTRONICS CORP.</b>			
www.keyelco.com • ASTORIA, N.Y. 11105-2017 • Tel (718) 956-8900			
PART NAME			
HORIZONTAL MINI. AUTO-BLADE FUSE HOLDER			
MATERIAL			
AS NOTED			
FINISH		DRN BY	DATE
AS NOTED		BOONE	12.28.06
		APP'D	SCALE
		LN	3X
TOLERANCES	INCH [MM]	CODE	DWG NO.
DECIMAL	± .005 [± 0.13]	C	3549-2
ANGULAR	± 1°		
UNLESS OTHERWISE SPECIFIED			

# Mouser Electronics

Authorized Distributor

Click to View Pricing, Inventory, Delivery & Lifecycle Information:

[Keystone Electronics:](#)

[3549-2](#)