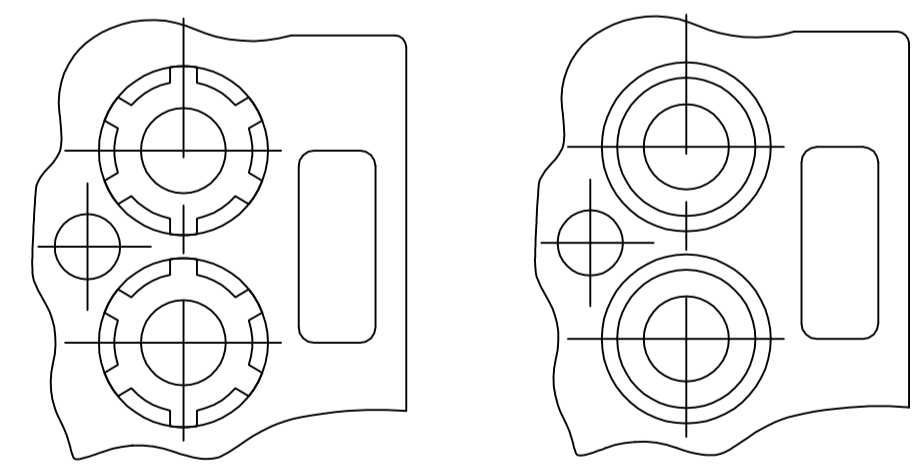
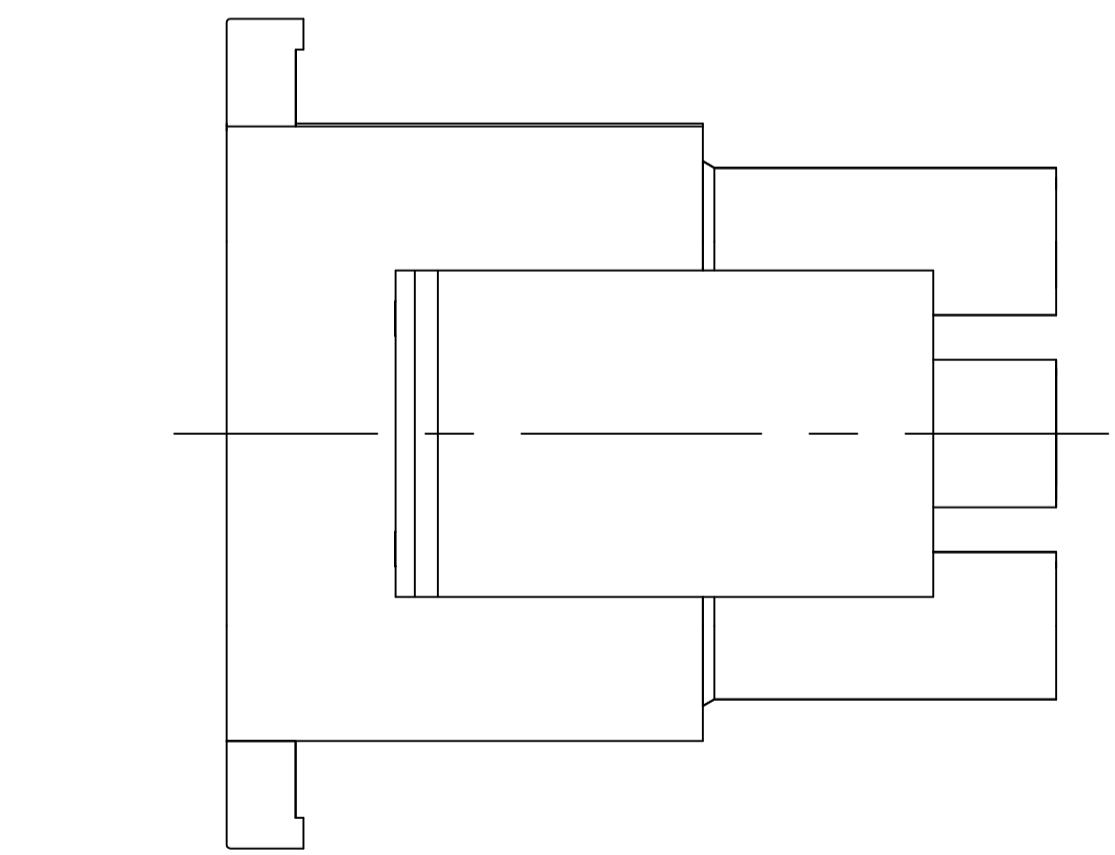
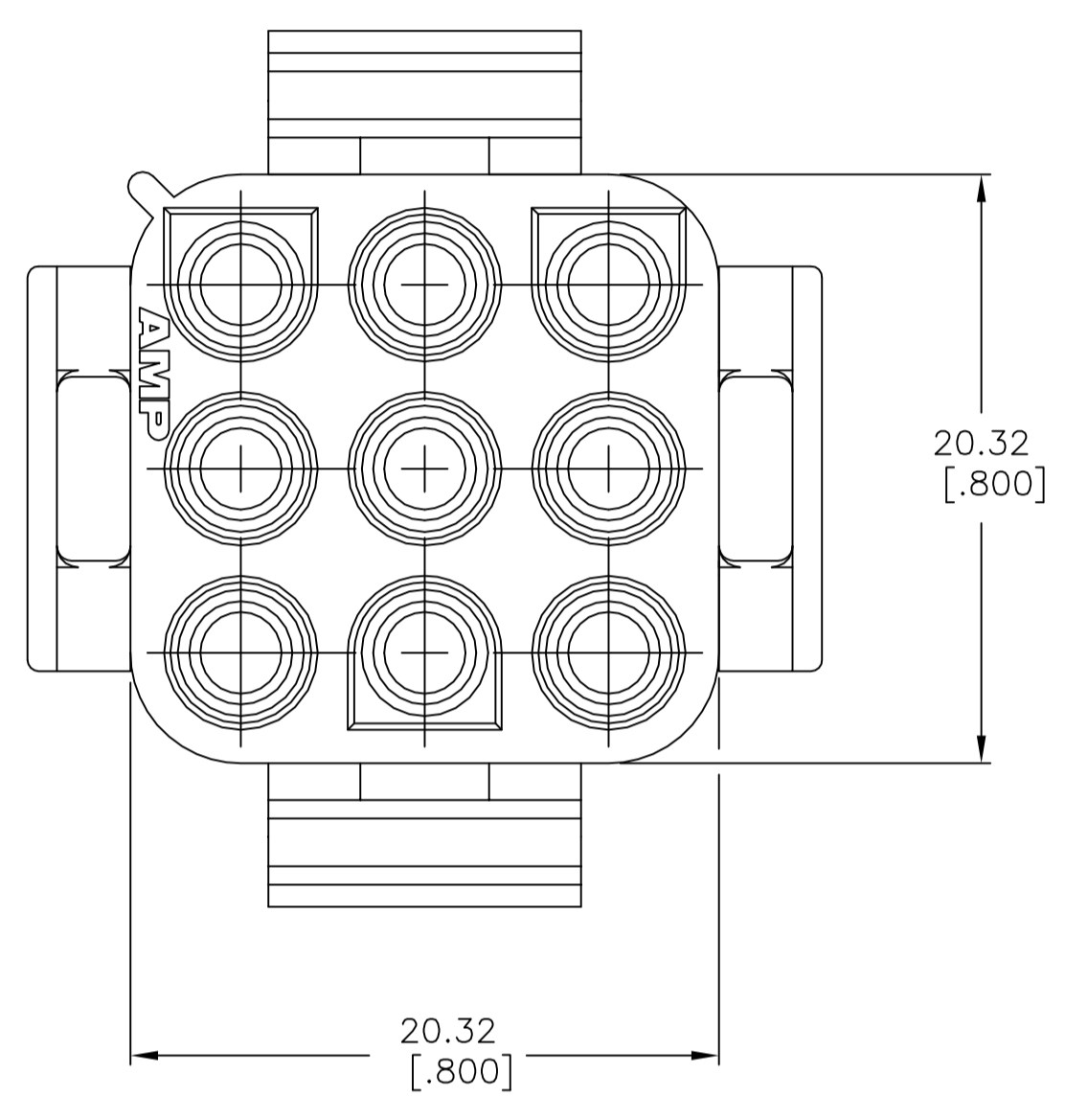
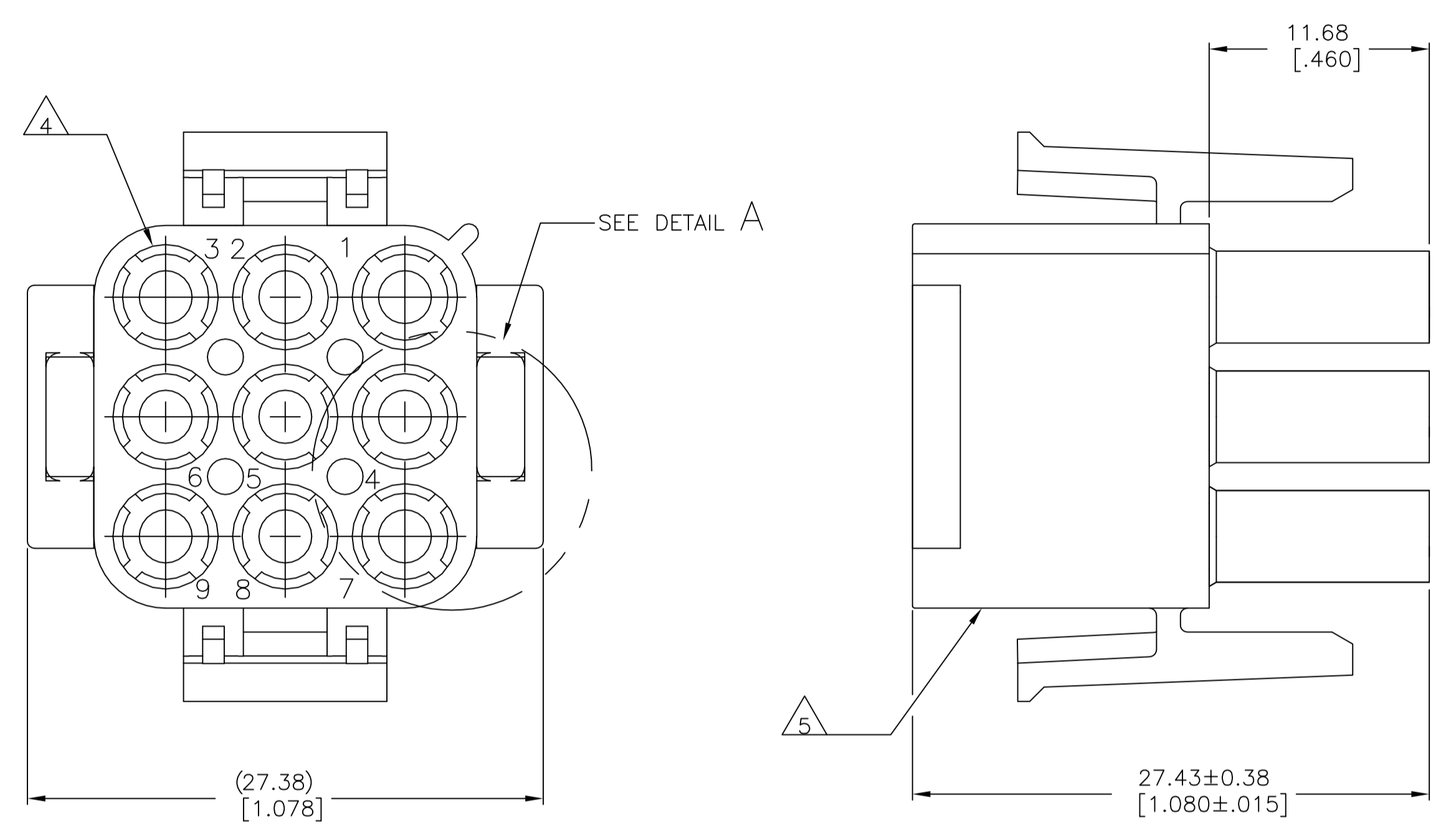


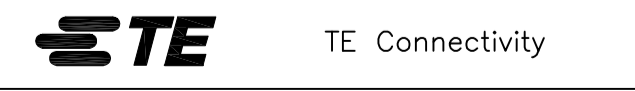
| REVISIONS | | | | |
|-----------|-----|---------------------------|-----------|----------|
| P | LTR | DESCRIPTION | DATE | OWN APVD |
| B1 | | REVISED PER ECR-17-015449 | 26OCT2017 | BDA KR |



DETAIL A
 OPTIONAL CONSTRUCTIONS

- MATES WITH APPROPRIATE UNIVERSAL MATE-N-LOK™ CAP OR HEADER.
- SMALL NICKS ARE PERMITTED ON THE CIRCUIT TOWERS WHICH COULD INCREASE THE INITIAL HOUSING MATING FORCE BY UP TO 4.4 NEWTONS [1.0 LBS]. NO INDIVIDUAL NICKED TOWER SHALL INCREASE THIS FORCE BY OVER 2.2 NEWTONS [.5 LBS].
- DIMENSIONS SHOWN REPRESENT PRODUCT IN DRY, AS MOLDED, CONDITION. ADDITIONAL 2% GROWTH DUE TO SUBSEQUENT MOISTURE ABSORPTION MAY OCCUR AND SHOULD BE ACCOUNTED FOR.
- FOUR RIBS EQUALLY SPACED, NO SPECIFIC ORIENTATION. NO RIBS OR SIX RIBS EQUALLY SPACED, NO SPECIFIC ORIENTATION, OPTIONAL.
- UNDERWRITERS RECOGNIZED COMPONENT LOGO AND CSA CERTIFICATION LOGO TO BE LOCATED ONCE EACH ON SIDE OF HOUSING.
- FLAMMABILITY V2 FOR THICKNESS 0.38mm, 1.5mm, and 3.0mm PER IEC 60695-11-10.
- GLOW-WIRE FLAMMABILITY (GWFI) 800°C FOR THICKNESS 0.38mm AND 0.75mm PER IEC 60695-2-12.
- GLOW-WIRE FLAMMABILITY (GWFI) 960°C FOR THICKNESS 1.5mm AND 3.0mm PER IEC 60695-2-12.
- GLOW-WIRE IGNITION (GWIT) 825°C FOR THICKNESS 0.38mm, 0.75mm, 1.5mm AND 3.0mm PER IEC 60695-2-13.

| | |
|---------|-----------|
| NATURAL | 1586844-1 |
| COLOR | PART NO. |



| | | | | |
|--|---------------|---------------------------------|-------------------------------|---|
| THIS DRAWING IS A CONTROLLED DOCUMENT. | | DWN K. WHITAKER 18JUL2007 | NAME | PLUG, 9 CIRCUIT, UNIVERSAL MATE-N-LOK(TM) |
| DIMENSIONS: mm [INCHES] | | CHK D. COLEY 18JUL2007 | APVD D. COLEY 18JUL2007 | RESTRICTED TO |
| TOLERANCES UNLESS OTHERWISE SPECIFIED: | | APPLICABLE SPEC | | |
| 0 PL | ± - | SIZE | | |
| 1 PL | ± - | CAGE CODE | | |
| 2 PL | ± 0.13 [.005] | DRAWING NO | | |
| 3 PL | ± - | A1 00779 | | |
| 4 PL | ± - | C=1586844 | | |
| ANGLES | ± 0.30° | CUSTOMER DRAWING | | |
| MATERIAL NYLON, UL94V-2 | FINISH - | SCALE 4:1 SHEET 1 OF 1 REV B1 | | |

Mouser Electronics

Authorized Distributor

Click to View Pricing, Inventory, Delivery & Lifecycle Information:

[TE Connectivity:](#)

[1586844-1](#)