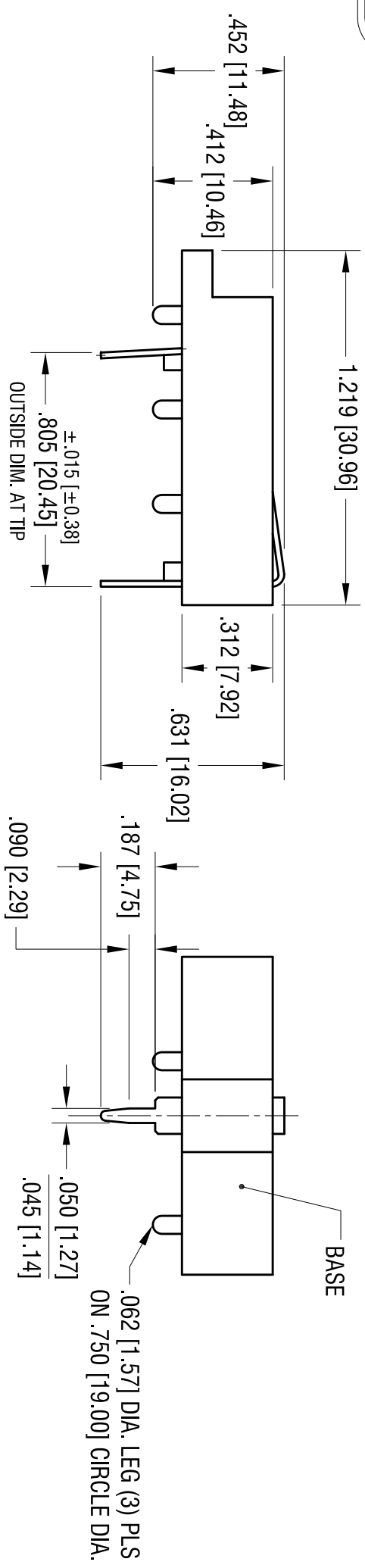
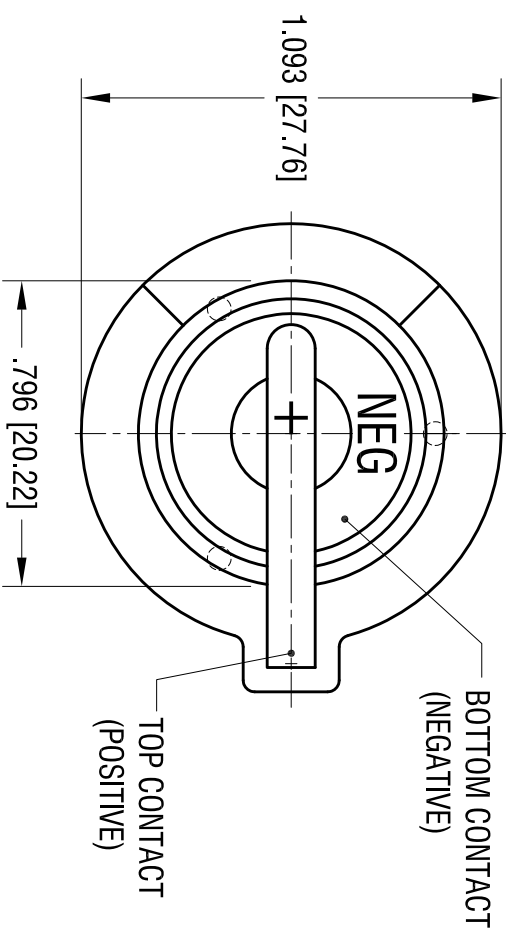
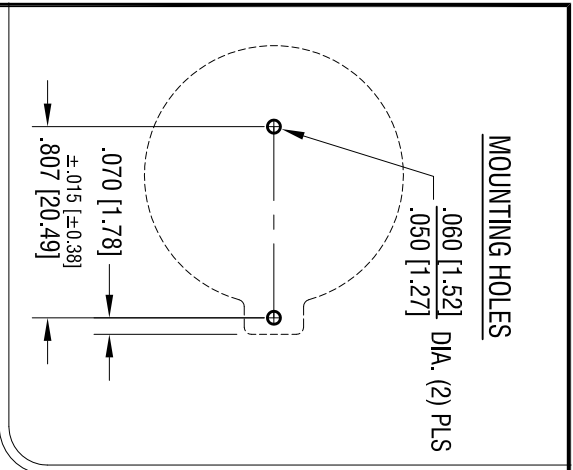
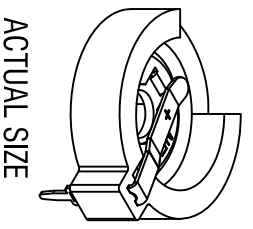


DATE	DESCRIPTION	REV.
9.20.04	CHANGE AS PER ECN 04-116	D
11.02.11	CHANGE AS PER ECN 11-145	E



- NOTES:
1. BASE:
MATERIAL - PBT (UL 94V-0), COLOR BLACK
 2. CONTACTS (TOP AND BOTTOM):
MATERIAL - .020 [0.50] THK SPRING STEEL
FINISH: TIN NICKEL PLATE



KEYSTONE ELECTRONICS CORP.			
www.keystec.com • ASTORIA, N.Y. 11105-2017 • Tel (718) 956-8900			
PART NAME COIN CELL PC BATTERY HOLDER			
MATERIAL AS NOTED			
FINISH AS NOTED		DRN BY BOONE	DATE 8.15.84
TOLERANCES DECIMAL $\pm .010$ [± 0.25] ANGULAR $\pm 1^\circ$		CODE C	DWG NO. 1026
UNLESS OTHERWISE SPECIFIED		App'D LN	SCALE 2X

THIS DOCUMENT IS THE PROPERTY OF KEYSTONE ELECTRONICS CORP. AND SHALL NOT BE REPRODUCED, DISTRIBUTED OR USED AS A BASIS FOR MANUFACTURE WITHOUT PRIOR WRITTEN PERMISSION FROM KEYSTONE ELECTRONICS CORP.

Mouser Electronics

Authorized Distributor

Click to View Pricing, Inventory, Delivery & Lifecycle Information:

[Keystone Electronics:](#)

[1026](#)