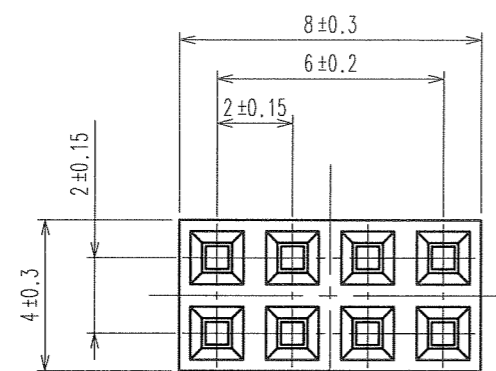
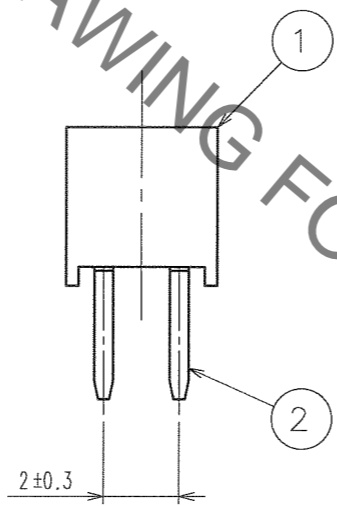
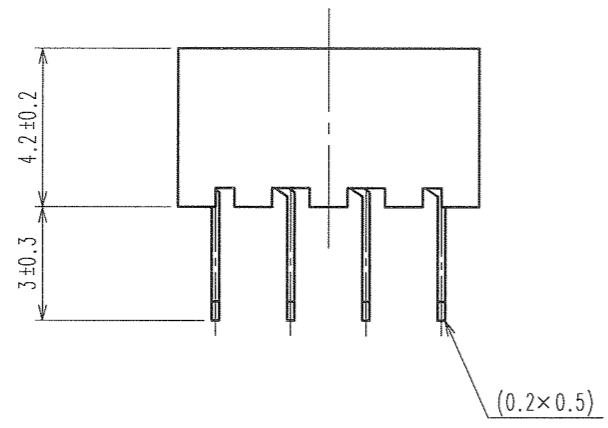
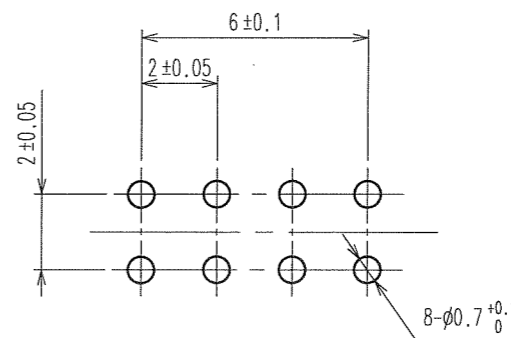


Sep.1.2020 Copyright 2020 HIROSE ELECTRIC CO., LTD. All Rights Reserved.  
 In case of consideration for using Automotive equipment / device which demand high reliability, kindly contact our sales window correspondents.

COUNT	DESCRIPTION OF REVISIONS	BY	CHKD	DATE	COUNT	DESCRIPTION OF REVISIONS	BY	CHKD	DATE
△				..	△				..
△				..	△				..
△				..	△				..

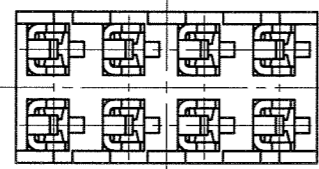


RECOMMENDED PC BOARD HOLE PATTERN



HRS DRAWING FOR REFERENCE

NOTE 1. THE CONTACT CUT SECTION IS UNPLATED.  
 2. THE DIMENSIONS IN PARENTHESES ARE FOR REFERENCE.



1	PBT	BLACK UL94V-0	2	PHOSPHOR BRONZE	CONTACT AREA:GOLD 0.2μ m min. DIP AREA:TIN-PLATING 1μ m min. UNDER PLATING:NICKEL 1μ m min.
NO.	MATERIAL	FINISH, REMARKS	NO.	MATERIAL	FINISH, REMARKS
CODE NO. (OLD) CL			DRAWN	DESIGNED	CHECKED
			K.NAKAMURA	K.NAKAMURA	H. Ozawa
			06.05.20	06.05.20	06.05.20
DRAWING NO. EDC3-081229-21			PART NO. A3C-8DA-2DSA(71)		
UNITS mm			CODE NO. CL621-0503-1-71		
HRS HIROSE ELECTRIC CO., LTD			1/1		

TO