

Board Level Cooling – Channel 5306



BOARD LEVEL COOLING – Channel 5306

Channel 5306 is a series of channel board level heat sinks designed to cool TO-220 and TO-220-single gauge devices. Representative image only.

ORDERING INFORMATION

Part Number	Device Type
530613B00000G	TO-220, TO-220-single gauge
530614B00000G	TO-220, TO-220-single gauge
530714B00000G	TO-220, TO-220-single gauge
530714B05300G	TO-220, TO-220-single gauge
576012B00000G	TO-220, TO-220-single gauge (0.020")



HEAT SINK DETAILS

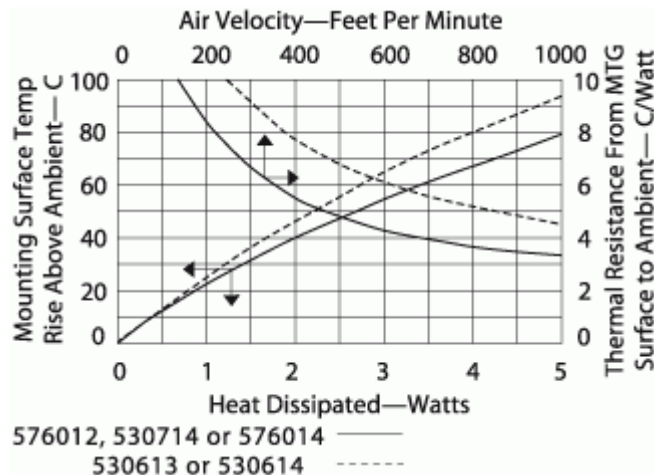
Property	Details
Material	Aluminum
Finish	Black Anodize
Device Attachment Options	Requires Mounting Kit
Thermal Interface Material	-

Property	Details
Heat Sink Width (mm)	25.40
Heat Sink Length (mm)	See "C" Dim below
Heat Sink Height (mm)	See "H" Dim below
Heat Sink Mounting Direction	Horizontal, Vertical

MECHANICAL & PERFORMANCE

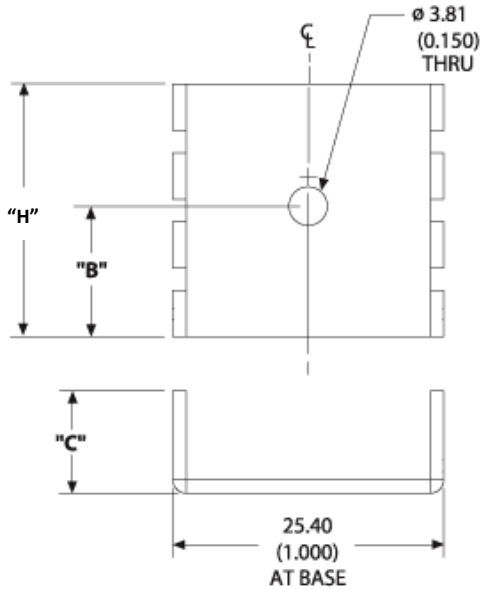
Drawing dimensions are shown in mm, (in)

Part Number	"H" Dim	"A" Dim	"B" Dim	"C" Dim	"X" Dim	"Y" Dim	"Z" Dim
530613B00000G	29.97 (1.18)	12.19	10.16	12.70	-	-	-
530614B00000G	29.97 (1.18)	-	11.68	12.70	-	-	-
530714B00000G	18.03 (0.710)	-	12.32	12.70	-	-	-
530714B05300G	18.03 (0.710)	-	-	12.70	12.19 (0.480)	5.21 (0.205)	2.90 (0.114)
576012B00000G	22.86	-	11.43	9.65	-	-	-

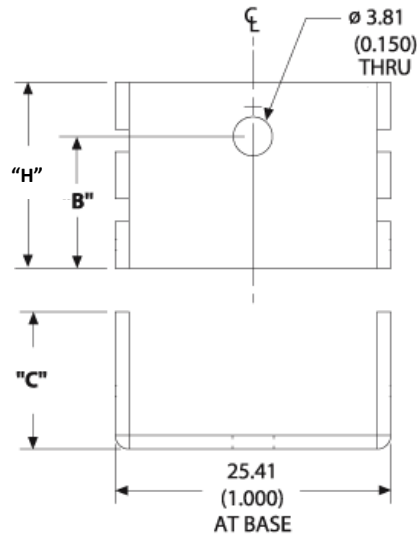


Board Level Cooling – Channel 5306

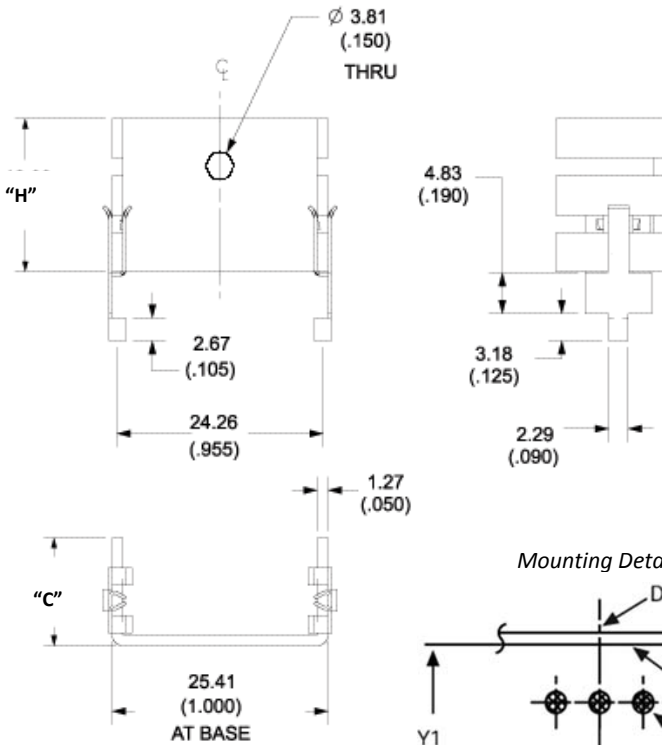
Part Number: 576012B00000G



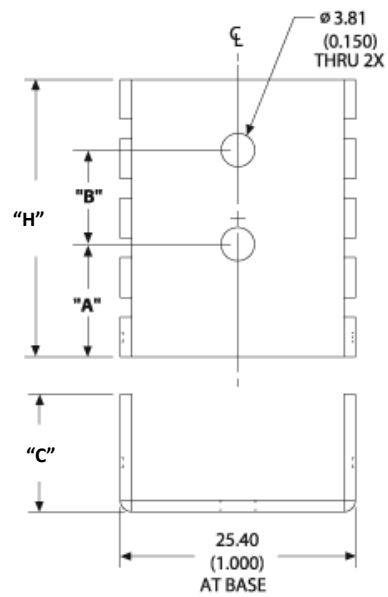
Part Number: 530714B00000G



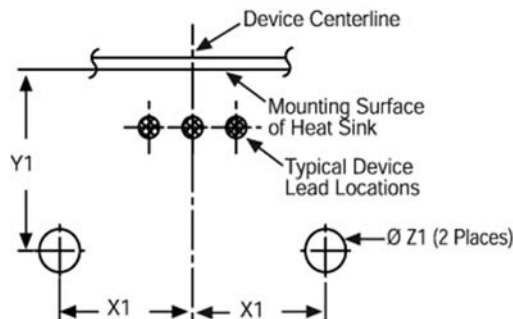
Part Number: 530714B05300G



Part Numbers: 530613B00000G, 530614B00000G



Mounting Details:



Mouser Electronics

Authorized Distributor

Click to View Pricing, Inventory, Delivery & Lifecycle Information:

[Aavid:](#)

[530714B05300G](#)