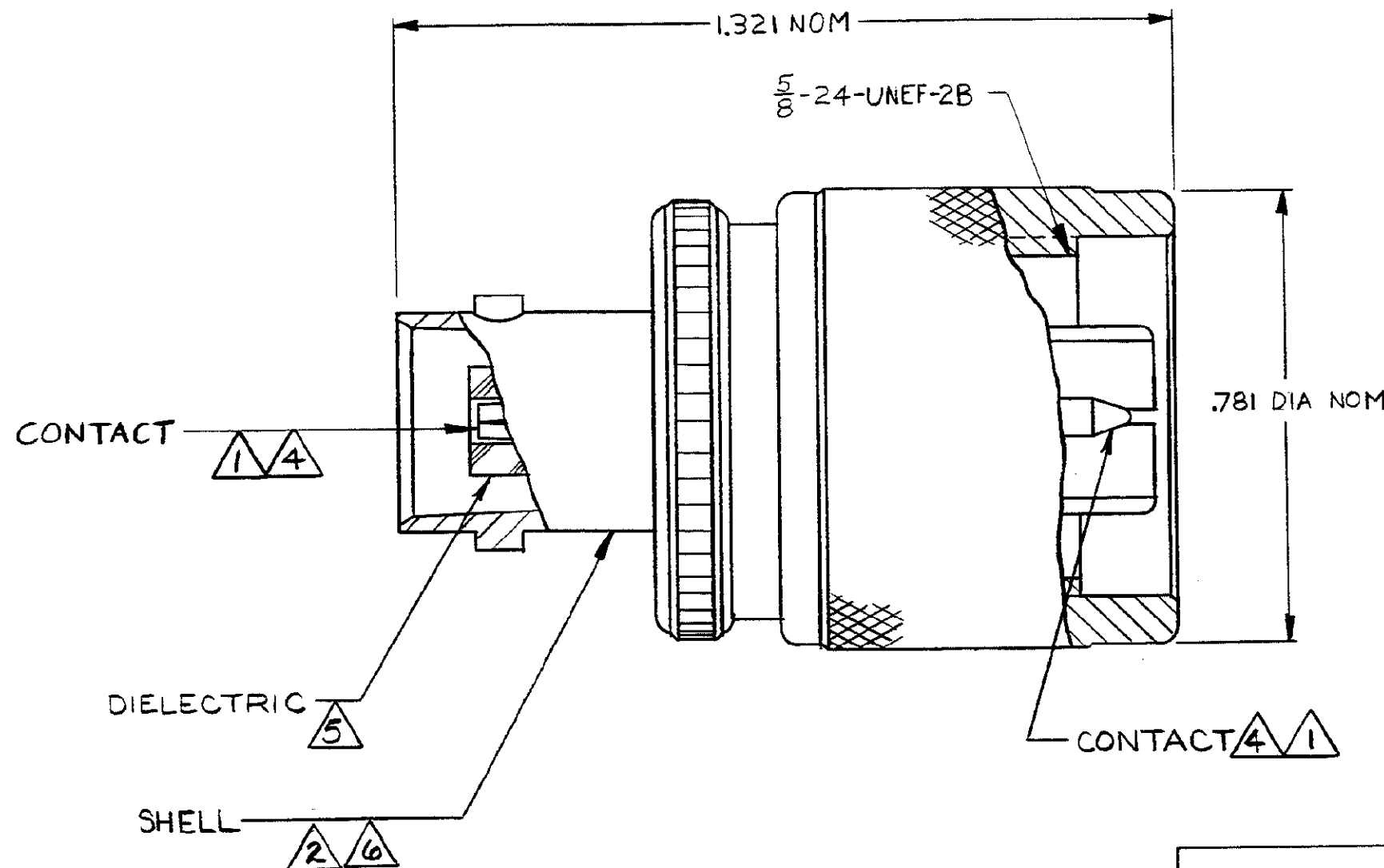


THIS DRAWING IS UNPUBLISHED. RELEASED FOR PUBLICATION

© COPYRIGHT 19 BY AMP INCORPORATED, HARRISBURG, PA. ALL INTERNATIONAL RIGHTS RESERVED. AMP PRODUCTS MAY BE COVERED BY U.S. AND FOREIGN PATENTS AND/OR PATENTS PENDING.

		REVISIONS				
P	F	ZONE	LTR	DESCRIPTION	DATE	APPROVED
			0	RELEASED PR 87-3513-003	5/28/87	RHA/DH
			A	REV PER AJ-2864	10-12-87	Lam/DH



- ① GOLD PL PER MIL-G-45204, .000030 THK.
- ② NICKEL PL PER QQ-N-290
- ③ COMPARABLE UG/U CONNECTOR: 201 A/U
- ④ BERYLLIUM COPPER
- ⑤ PTFE
- ⑥ BRASS

222321-1  
PART NO

UNLESS OTHERWISE SPECIFIED DIMENSIONS ARE IN INCHES. TOLERANCES ON: DECIMALS ± ANGLES ±	CONTRACT NO	AMP INCORPORATED Harrisburg, Pa.	
	DR <i>Ray Alexander</i> 5/29/87		
MATERIAL ③ THRU ⑤	CHK <i>J.S. Heide</i> 6/2/87	NAME ADAPTER, BNC JACK TO N PLUG	
FINISH ① ②	APPD <i>Dan Whittle</i> 6-2-87	SIZE <b>B</b>	FSCM NO <b>00779</b>
	APPD <i>[Signature]</i> 9/1/87	DRAWING NO 222321-1	SHEET 1 OF 1
	DSGN APPD	SCALE 4:1	
	OTHER APPD		

# Mouser Electronics

Authorized Distributor

Click to View Pricing, Inventory, Delivery & Lifecycle Information:

[TE Connectivity:](#)

[222321-1](#)