

THIS DRAWING IS UNPUBLISHED.

RELEASED FOR PUBLICATION

ALL RIGHTS RESERVED.

© COPYRIGHT - By -

LOC E DIST B

REVISIONS

P	LTR	DESCRIPTION	DATE	DWN	APVD
P		REVISED PER ECO-11-005150	21MAR11	RK	HMR

TECHNICAL SPECIFICATION

DISSIPATION AT 25°C

50 WATTS MOUNTED ON STANDARD HEATSINK R01 TO 50 K

BS OHMIC RANGE STABILITY

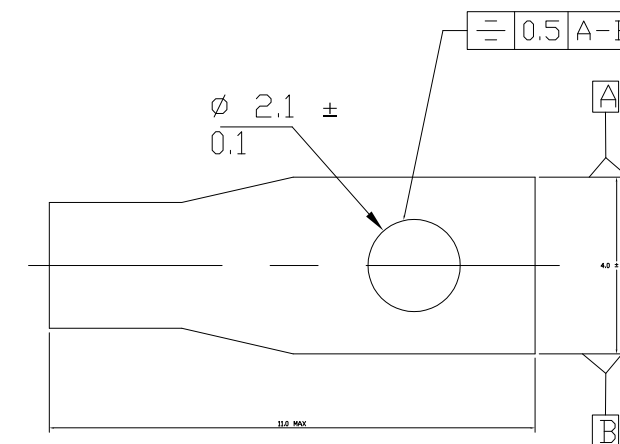
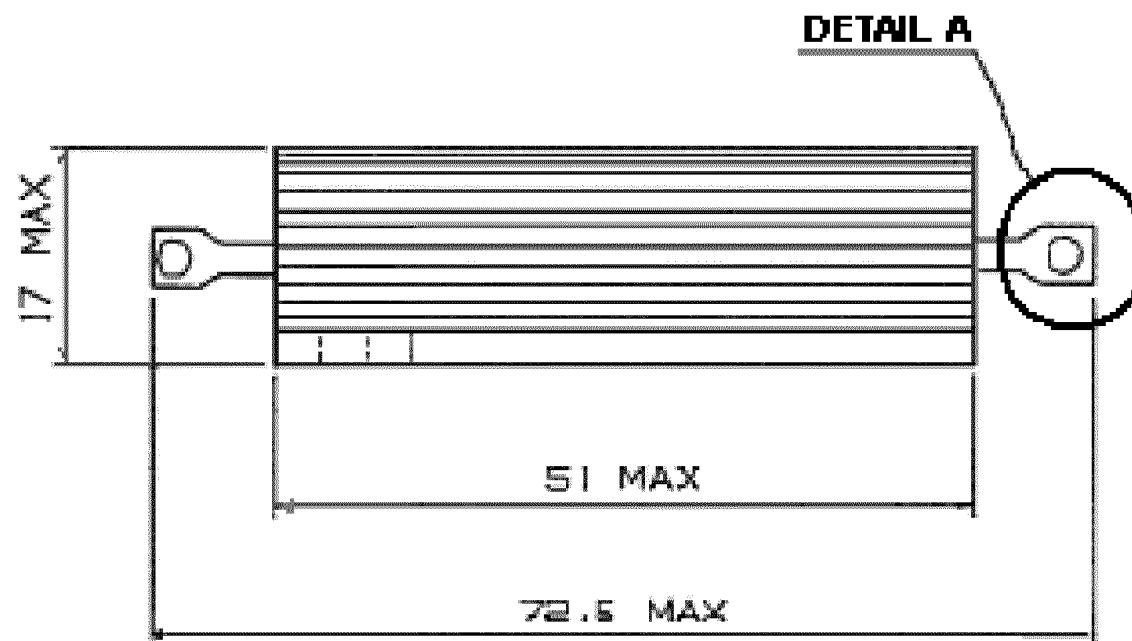
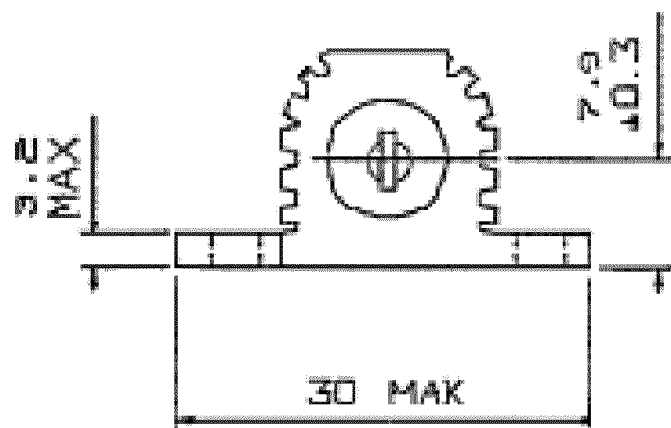
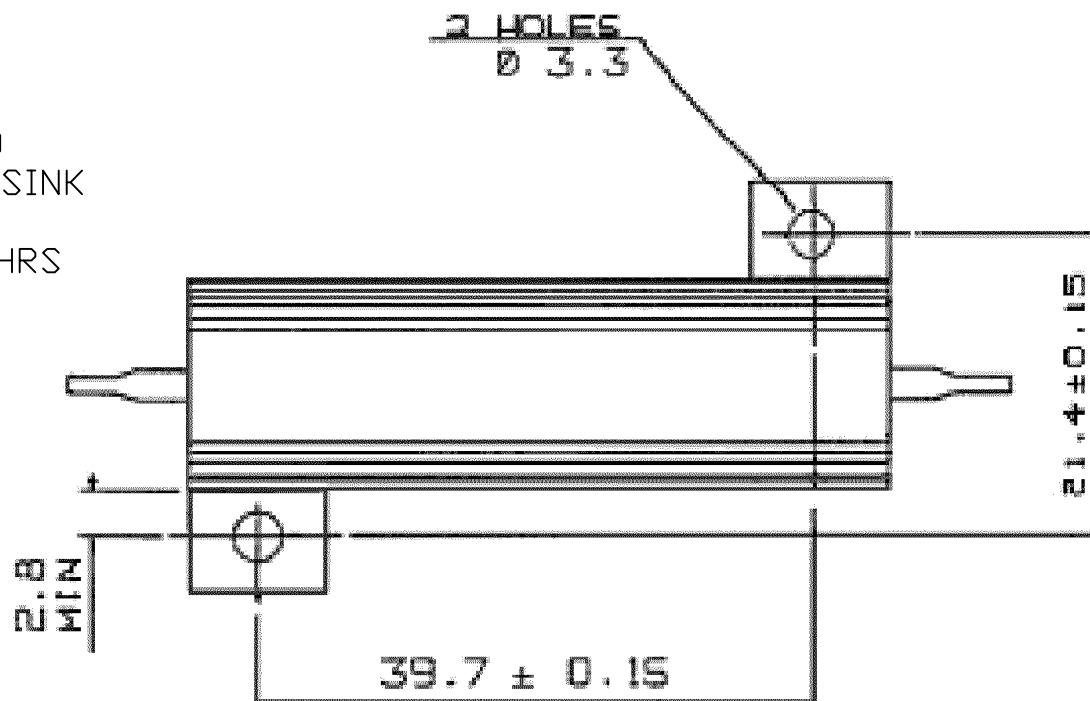
$\Delta R \leq 1\%$ PER 1000 HRS

ISOLATION VOLTAGE
MAX WORKING VOLTAGE
TEMP COEFFICIENT

2500V DC/AC PK
1250V DC/AC RMS
<100R $\pm 50\text{ppm}/^\circ\text{C}$
>100R $\pm 30\text{ppm}/^\circ\text{C}$

CLIMATIC CATEGORY

55/200/56



DETAIL A

FOR A SPECIFIC PN FOR A RESISTANCE VALUE AND TOLERANCE, PLEASE REFER TO DMF.

RoHS Compliant

THIS DRAWING IS A CONTROLLED DOCUMENT.		DWN	ROB BLANCH	19SEPT06	STE TE Connectivity		
DIMENSIONS: mm		CHK	J CATCHPOLE	19SEPT06			
TOLERANCES UNLESS OTHERWISE SPECIFIED:		APVD	J CATCHPOLE	19SEPT06	NAME		
0 PLC	$\pm -$	PRODUCT SPEC		THS50 NARROW BORE METAL CLAD RESISTOR			
1 PLC	$\pm -$	APPLICATION SPEC		SIZE			
2 PLC	$\pm -$	MATERIAL		CAGE CODE			
3 PLC	$\pm -$	FINISH		DRAWING NO			
4 PLC	$\pm -$	MATERIAL		RESTRICTED TO			
ANGLES	$\pm -$	MATERIAL		A300779 C-1879071			
MATERIAL		FINISH		CUSTOMER DRAWING			SCALE
-		-		-			NTS
-		-		-			SHEET
-		-		-			1 OF 1
-		-		-			REV
-		-		-			P

Mouser Electronics

Authorized Distributor

Click to View Pricing, Inventory, Delivery & Lifecycle Information:

[TE Connectivity:](#)

[THS502R7J](#)