

5

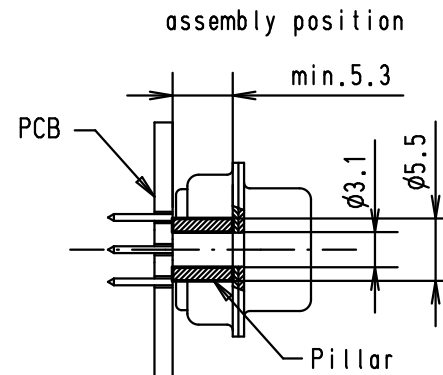
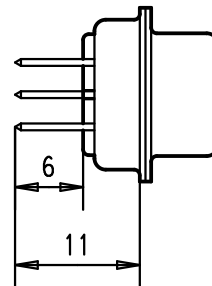
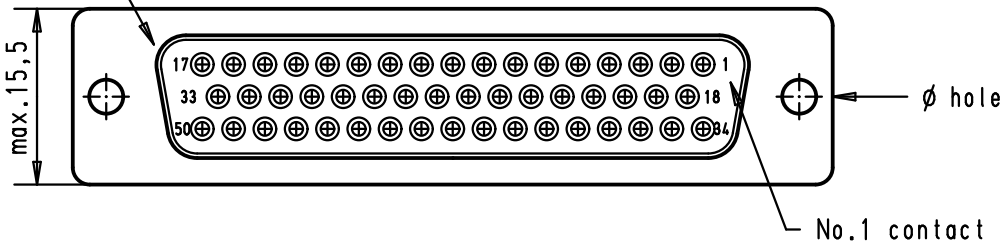
4

3

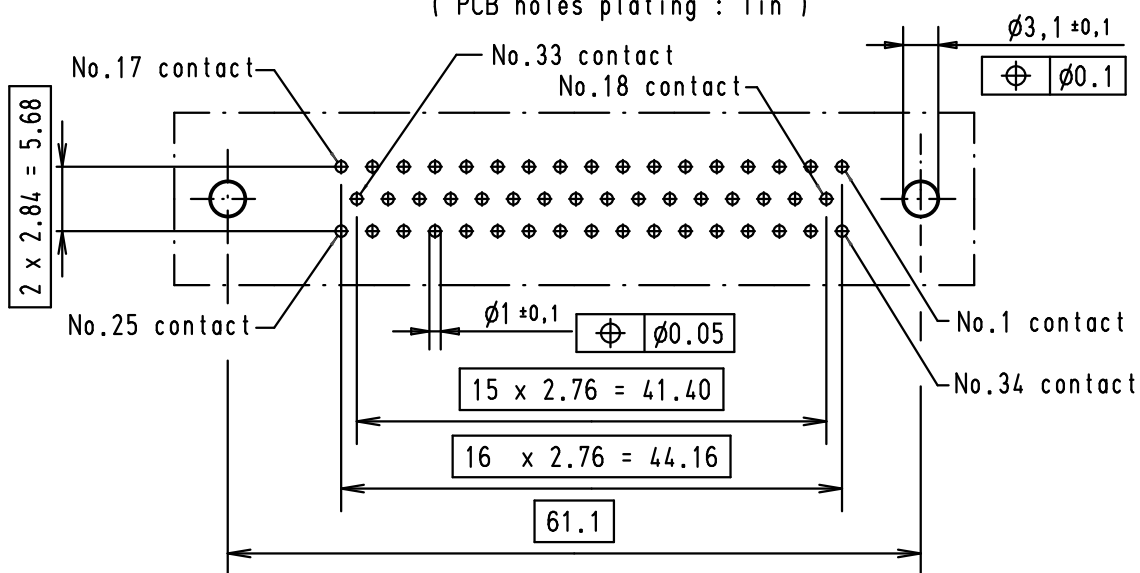
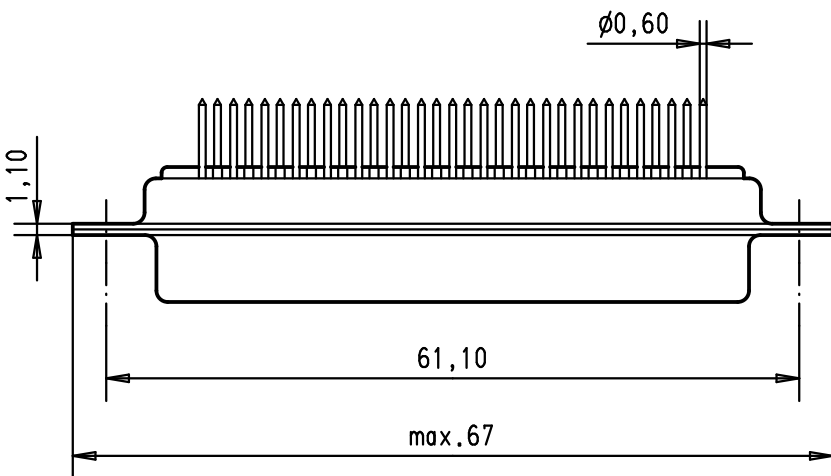
2

1



Mating face according to : MIL-C-24308 / DIN 41652 / CECC 75301-802



PCB layout hole component side (PCB holes plating : Tin)



A

Part number	∅ hole	Performance level	Mod.	Dot.	Name	Dot.	Name	 All Dim. in mm Orig. Size DIN A 4	D-Sub, Female, Straight, 50 Poles with turned solder contacts and hole	Maßstab/ Scale	
09 67 050 4756	3.1 ± 0.1	1	32991	01/09/05	JMDR	Detail.	07/feb/01			jfb	1.5:1
09 67 050 4755	3.1 ± 0.1	2	29766	09-APR-02	CV	Insp.					
09 67 050 4754	3.1 ± 0.1	3	27993	04/04/01	AF	Stand.					
			27974	07/feb/01	jfb	HARTING EURL F-95972 Paris				Blatt/ Page	
Part number	∅ hole	Performance level	Mod.	Dot.	Name	TB 0967050475x				1 / 2	

Sub.

Mouser Electronics

Authorized Distributor

Click to View Pricing, Inventory, Delivery & Lifecycle Information:

[HARTING:](#)

[09670504754](#) [09670504755](#)