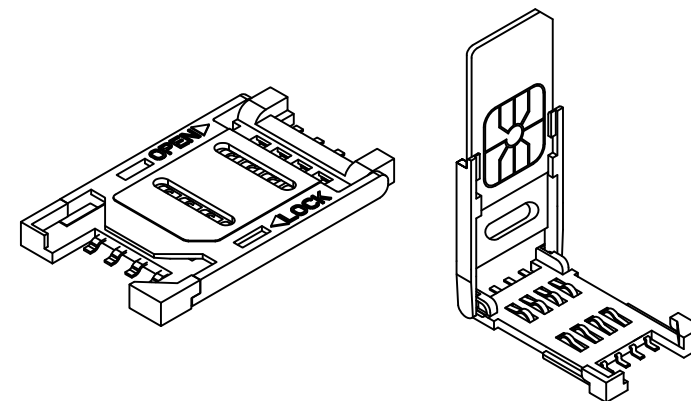


Recommended PCB Layout

as viewed from component side

▨ Solder Area ▩ Keep Out Area □ Component Outline

For 6 contacts version do not include solder pads C4 and C8 on PCB layout.



Specifications

Material

Plastic Housing: Hi-Temp Thermoplastic UL94V-0, Black
Contact Terminal: Phosphor Bronze

Plating Contact Terminal plating:

Under-plating: 50µ" Nickel
Contact Area: 3µ" Gold
Soldering Area: 100µ" Tin

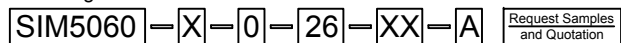
Electrical

Voltage Rating: 50 V max.
Current Rating: 1 Amp max. 10µ Amp min.
Operating Temperature: -40°C to +85°C
Contact Resistance: 50mΩ typical, 100mΩ max.
Insulating Resistance: 1000MΩ min. (Apply 500V DC)
Dielectric Withstanding Voltage: Withstand 500 VAC for 1 min.

Mechanical & Environmental

Durability: 5,000 cycles

Ordering Grid



No. of Contacts
6 = 6 Pin
(remove C4 and C8 on PCB layout)
8 = 8 Pin

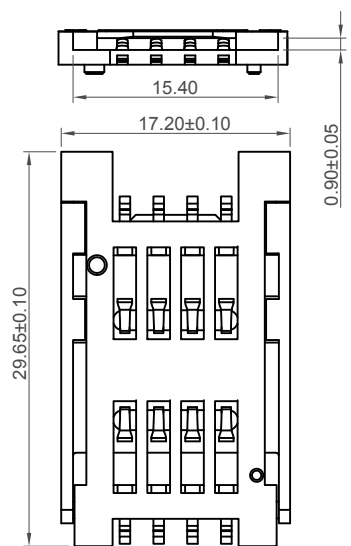
Switch
0 = Without

Request Samples and Quotation

Packing Options
A = Tape & Reel
(MOQ=4800, 800 per Reel)

Locating Post
00 = Without Post
01 = With Post (Not recommended for new designs)

| | | |
|----|--------|-----|
| C1 | -----> | VCC |
| C2 | -----> | RST |
| C3 | -----> | CLK |
| C4 | -----> | RFU |
| C5 | -----> | GND |
| C6 | -----> | Vpp |
| C7 | -----> | I/O |
| C8 | -----> | RFU |



| | | | |
|--------------------|-----------------|---|-------------|
| Part Number | | Product Description | |
| SIM5060 | | SIM Card Connector, Hinged Type | |
| Drawing Date | | 6 or 8 Pin, SMT, 2.6mm Profile, Optional Locating Post | |
| 13th December 2010 | | | |
| By | CC | Tolerances (Except as Noted) | Units: |
| Detail | Drawing Release | Length X. ± 0.30 X.X ± 0.25 X.XX ± 0.15 X.XXX ± 0.050 | Metric (mm) |
| Revision | C3 | Angle X.° ± 1° X.X° ± 0.5° X.XX° ± 0.25° | |
| Date | 18/06/20 | | |



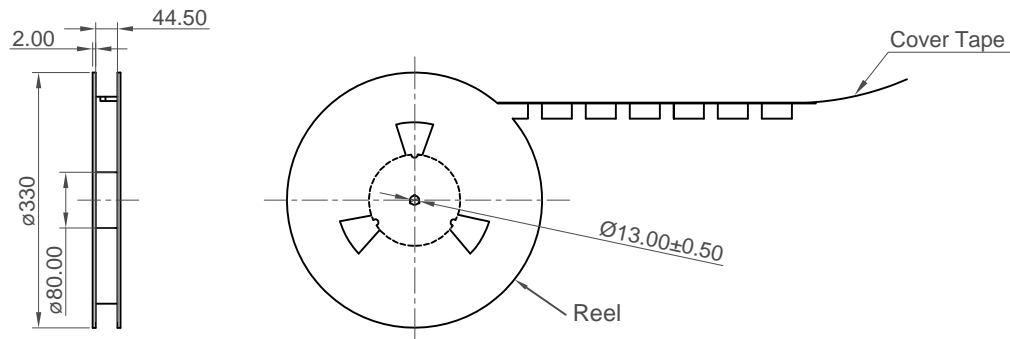
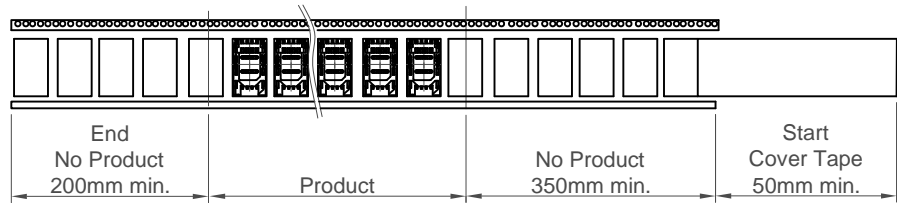
This drawing is confidential and copyright of Global Connector Technology, Ltd (GCT). This drawing must not be copied or disclosed without written consent. E & OE



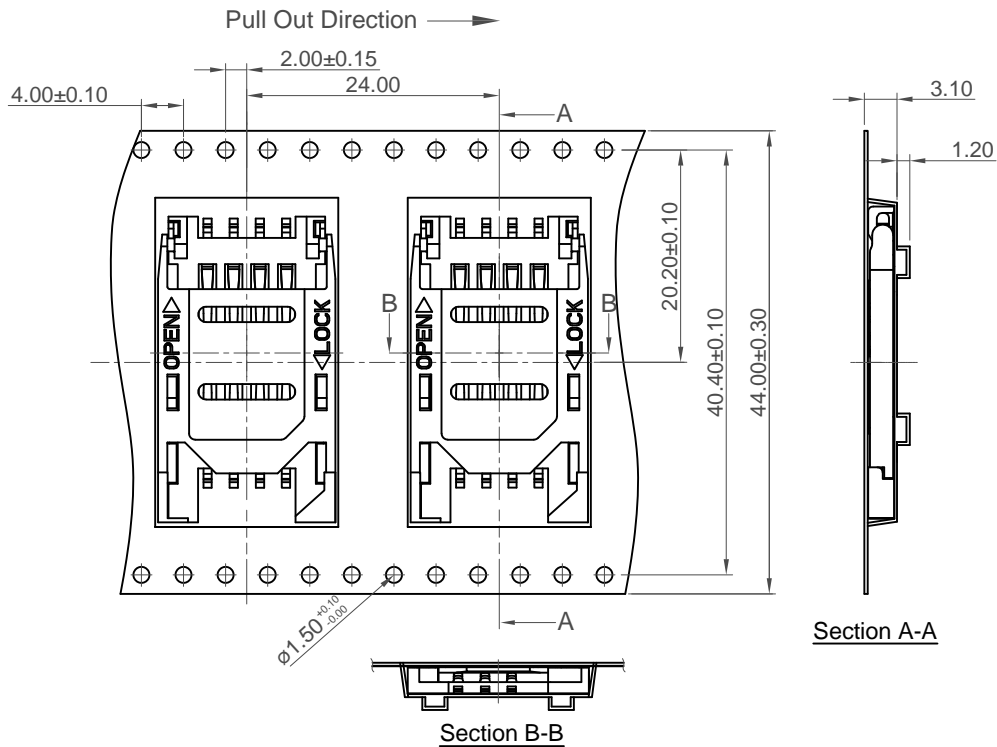
| | | |
|--------------|--------------|---------------|
| Not to Scale | Drawn By AJO | Sheet No. 1/2 |
|--------------|--------------|---------------|

H
G
F
E
D
C
B
A

1 2 3 4 5 6 7 8



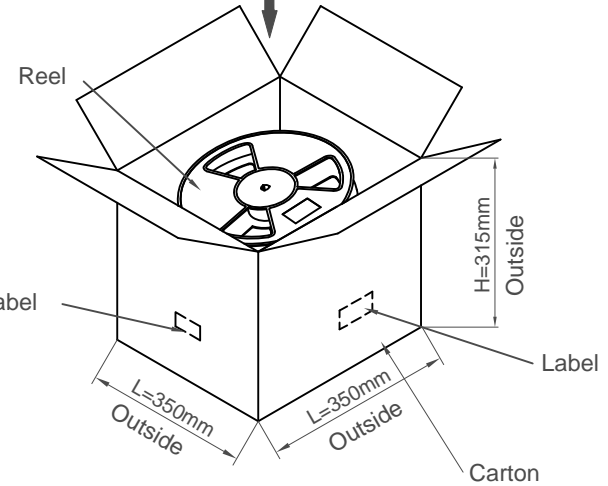
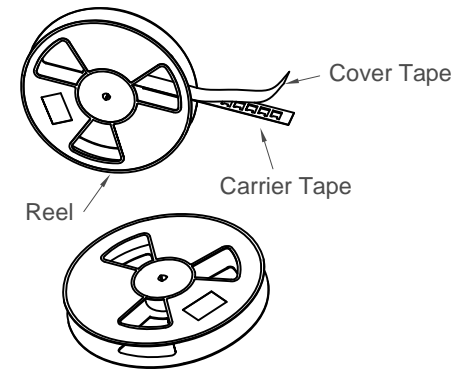
Gross Weight: 1.50kgs
Quantity: 800 Pcs per Reel



Section A-A

Section B-B

Pull Out Direction →



Gross weight: 9.53KGS
Quantity: 4800 Pcs per carton(6 Reels set in order)
Dimensions: 35.00L X 35.00W X 31.50H cm

| | | | |
|--------------------|-----------------|--|----------------|
| Part Number | | Product Description | |
| SIM5060 | | SIM Card Connector, Hinged Type | |
| Drawing Date | | 6 or 8 Pin, SMT, 2.6mm Profile, Optional Locating Post | |
| 13th December 2010 | | | |
| By | CC | Tolerances (Except as Noted) | Units: |
| Detail | Drawing Release | Length | Metric (mm) |
| Revision | C3 | Angle | |
| Date | 18/06/20 | X. ± 0.30 | X.° ± 1° |
| | | X.X ± 0.25 | X.X° ± 0.5° |
| | | X.XX ± 0.15 | X.XX° ± 0.25° |
| | | X.XXX ± 0.050 | X.XXX° ± 0.25° |



This drawing is confidential and copyright of Global Connector Technology, Ltd (GCT). This drawing must not be copied or disclosed without written consent. E & OE



| | | |
|--------------|--------------|---------------|
| Not to Scale | Drawn By AJO | Sheet No. 2/2 |
|--------------|--------------|---------------|