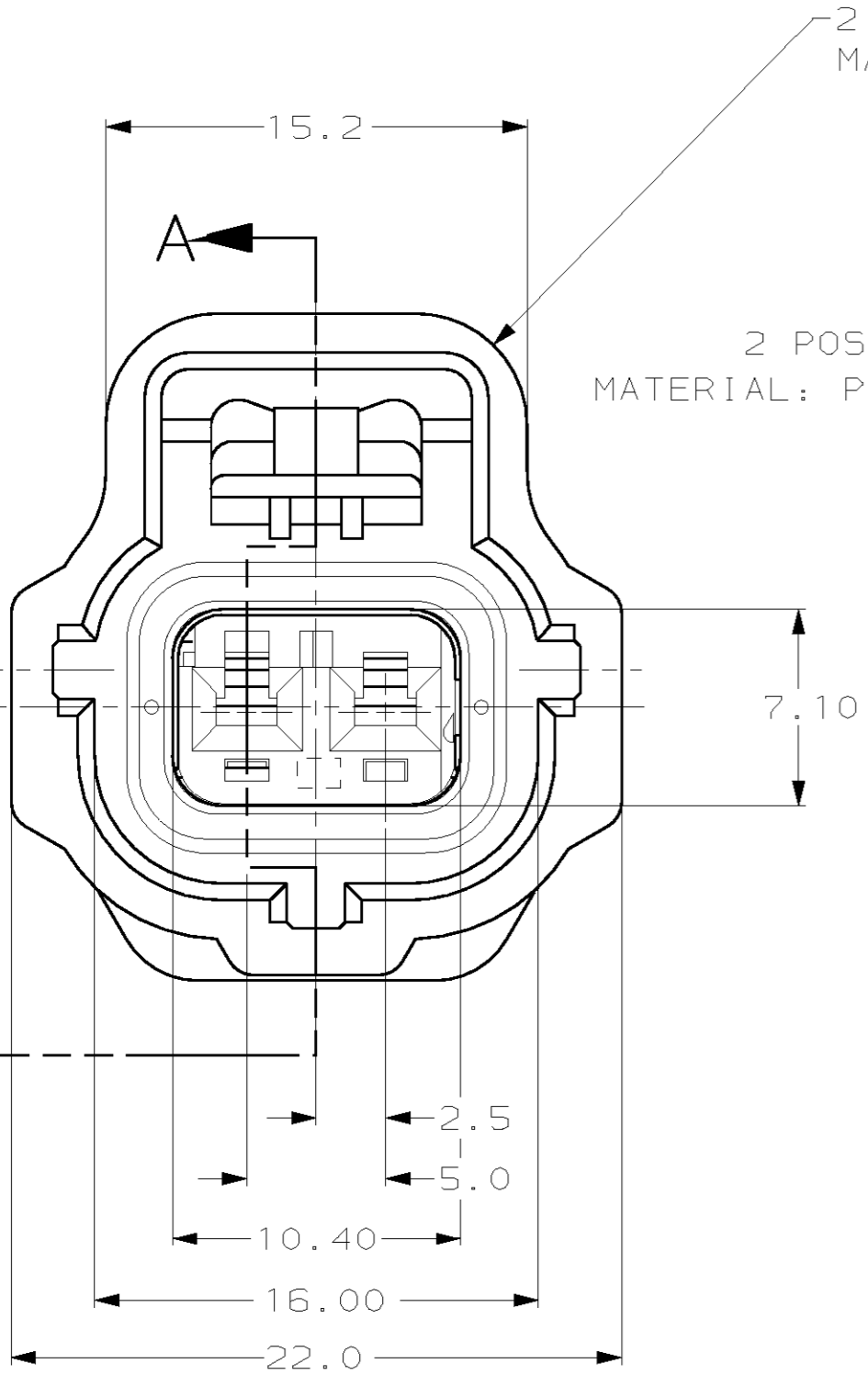
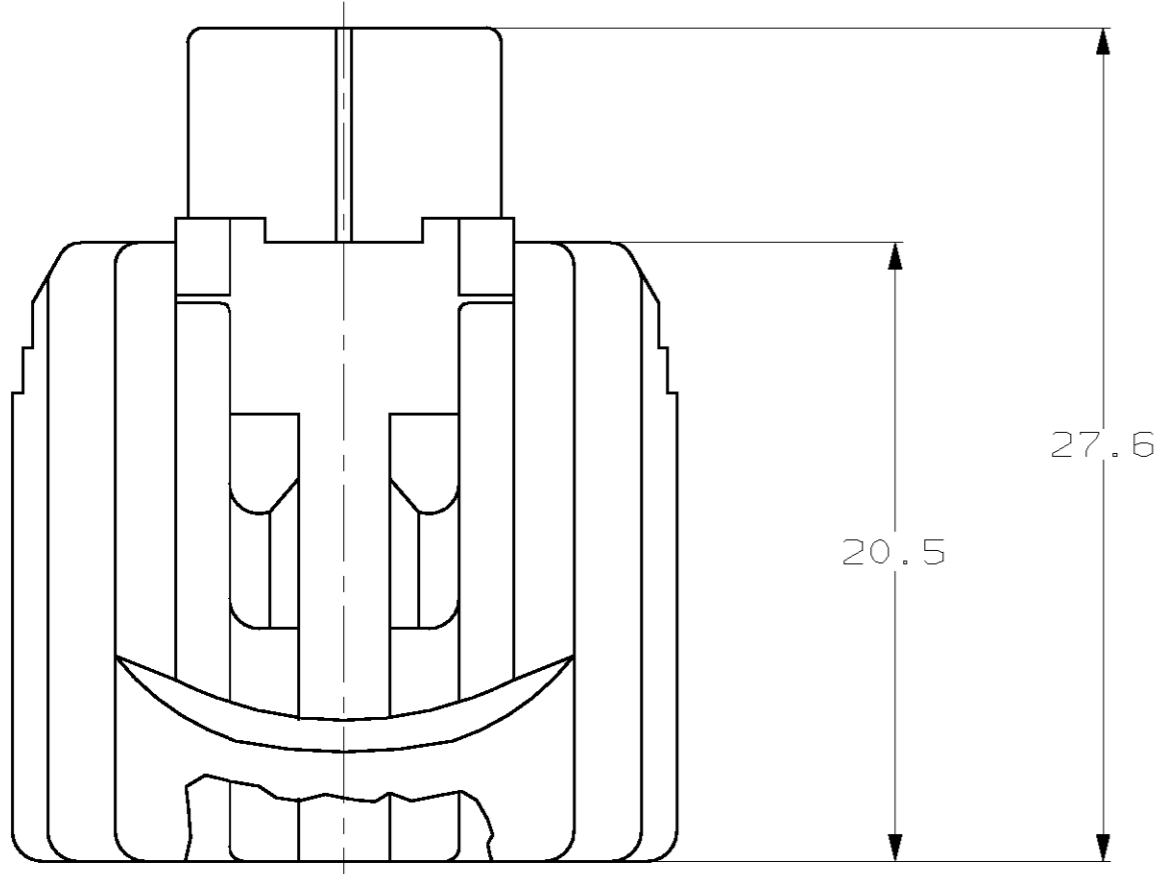


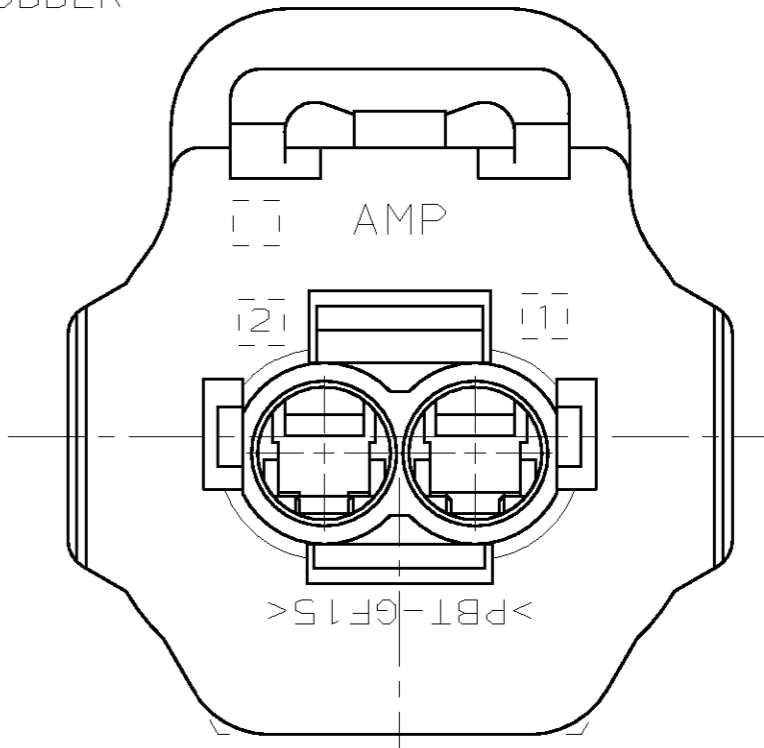
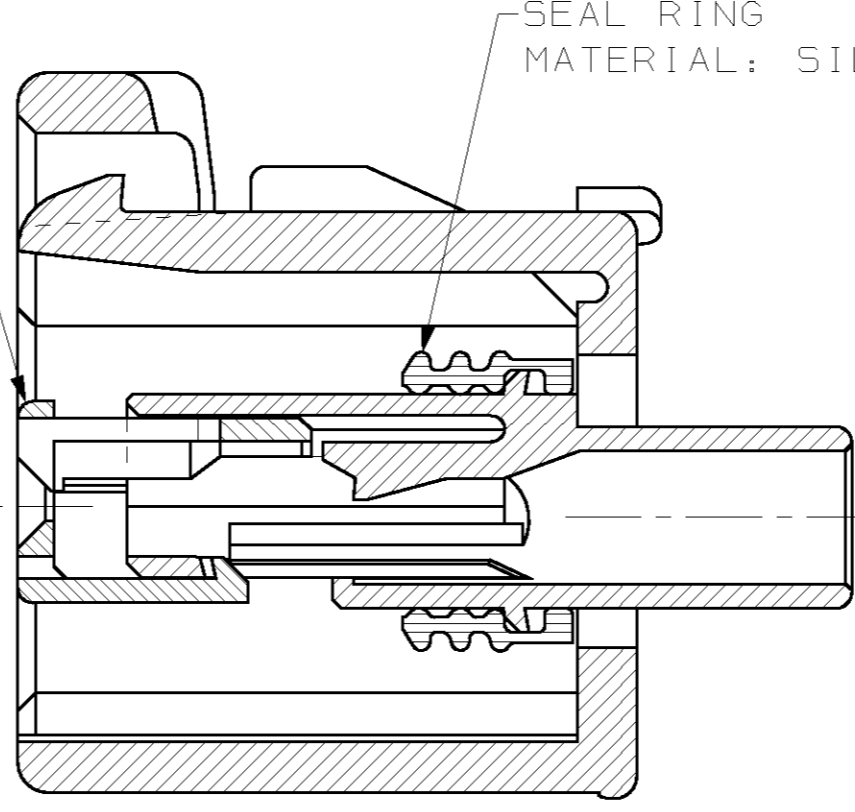
THIS DRAWING IS UNPUBLISHED. RELEASED FOR PUBLICATION .19
 © COPYRIGHT 19 BY AMP INCORPORATED. ALL RIGHTS RESERVED.

LOC	DIST	REVISIONS					
		P	LTR	DESCRIPTION	DATE	DWN	APVD
G	16			RELEASED, WAS 92-4072-2313-1	-	-	-
		A		REV PER ECN 0720-0290-94	9/30/94	KDL	JPK
		B		REV PER ECN 0720-0446-94	12/16/94	KW	JK
		C		REV PER ECN 0K50-0003-96	08/13/96	KW	JK
		D		REV PER ECN 0K20-0004-97	02/10/97	KL	JK
		E		REV PER EC# 0K40-0140-00	6-28-00	PC	GI



2 POSN PLUG
 MATERIAL: PBT, 15% GLASS FILLED

2 POSN. DOUBLE LOCK PLATE
 MATERIAL: PBT, 15% GLASS FILLED



SECTION A-A

KEYING TYPE A

NATURAL		184000-3
BLACK		184000-1
PLUG COLOR		PART NO
<p>THIS DRAWING IS A CONTROLLED DOCUMENT FOR AMP INCORPORATED. IT IS SUBJECT TO CHANGE AND THE CONTROLLING ENGINEERING ORGANIZATION SHOULD BE CONTACTED FOR THE LATEST REVISION.</p>		
DWN		KD LYTLE 3/28/94
CHK		JP KUNKLE 4/19/94
APVD		-
PRODUCT SPEC		-
APPLICATION SPEC		-
WEIGHT		-
CUSTOMER DRAWING		-
<p>AMP Incorporated Harrisburg, PA 17105-3608</p>		
<p>1 X 2 PLG ASY KEY A-C3</p>		
SIZE	CAGE CODE	DRAWING NO
A2	00779	C-184000
SCALE	SHEET	OF
4:1	1	1
		REV
		E

Mouser Electronics

Authorized Distributor

Click to View Pricing, Inventory, Delivery & Lifecycle Information:

[TE Connectivity:](#)

[184000-3](#)