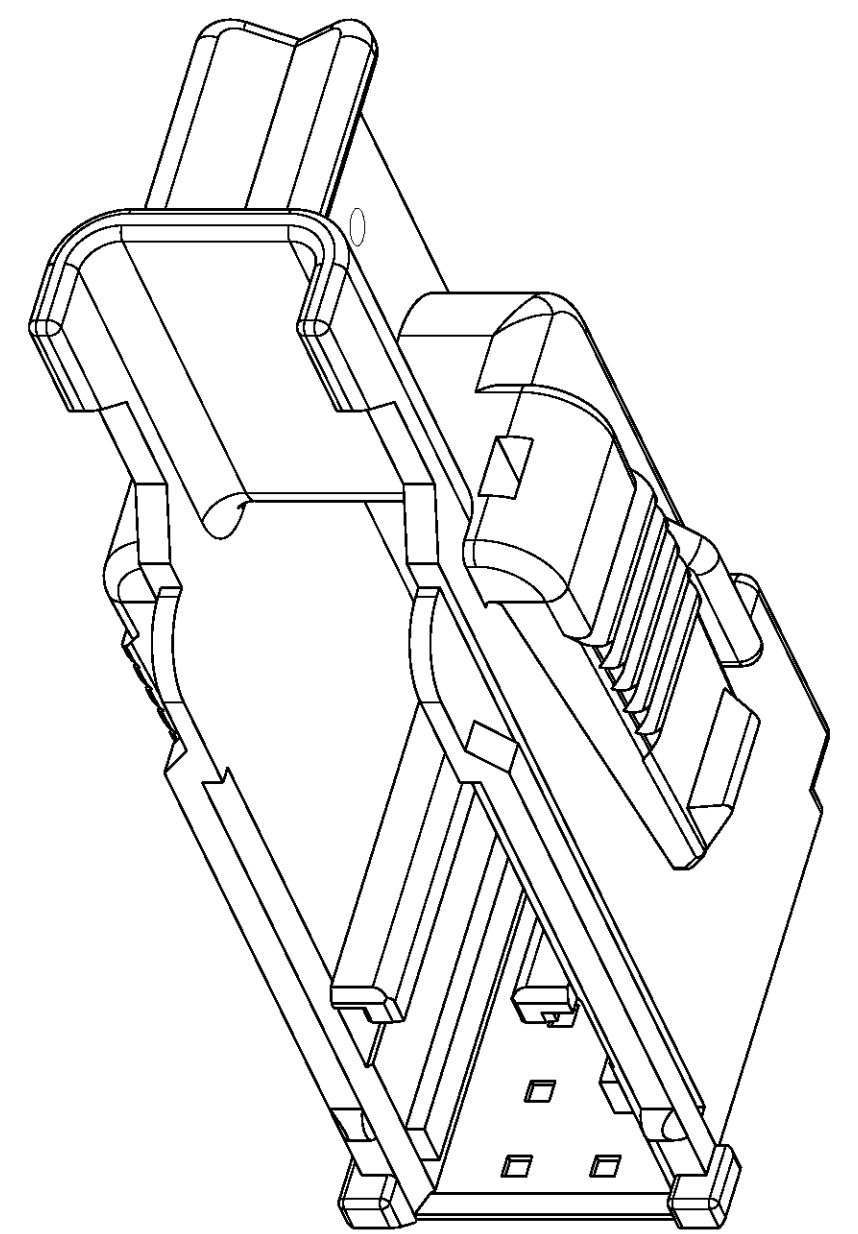
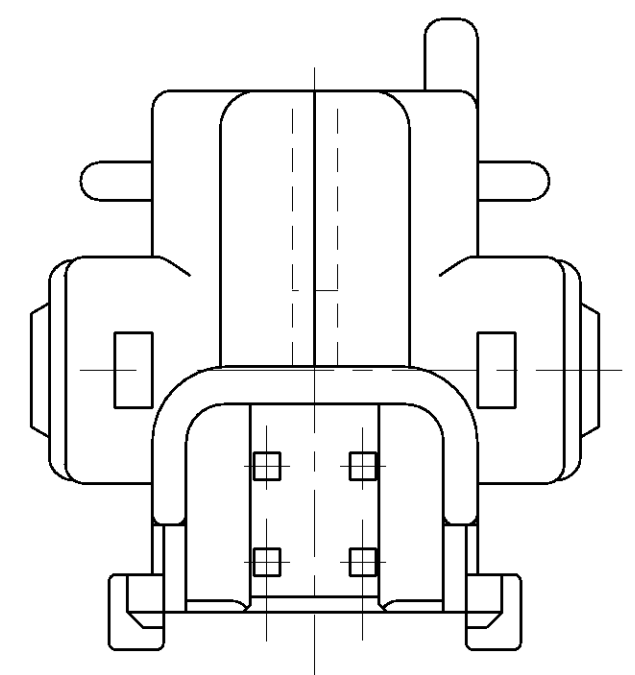
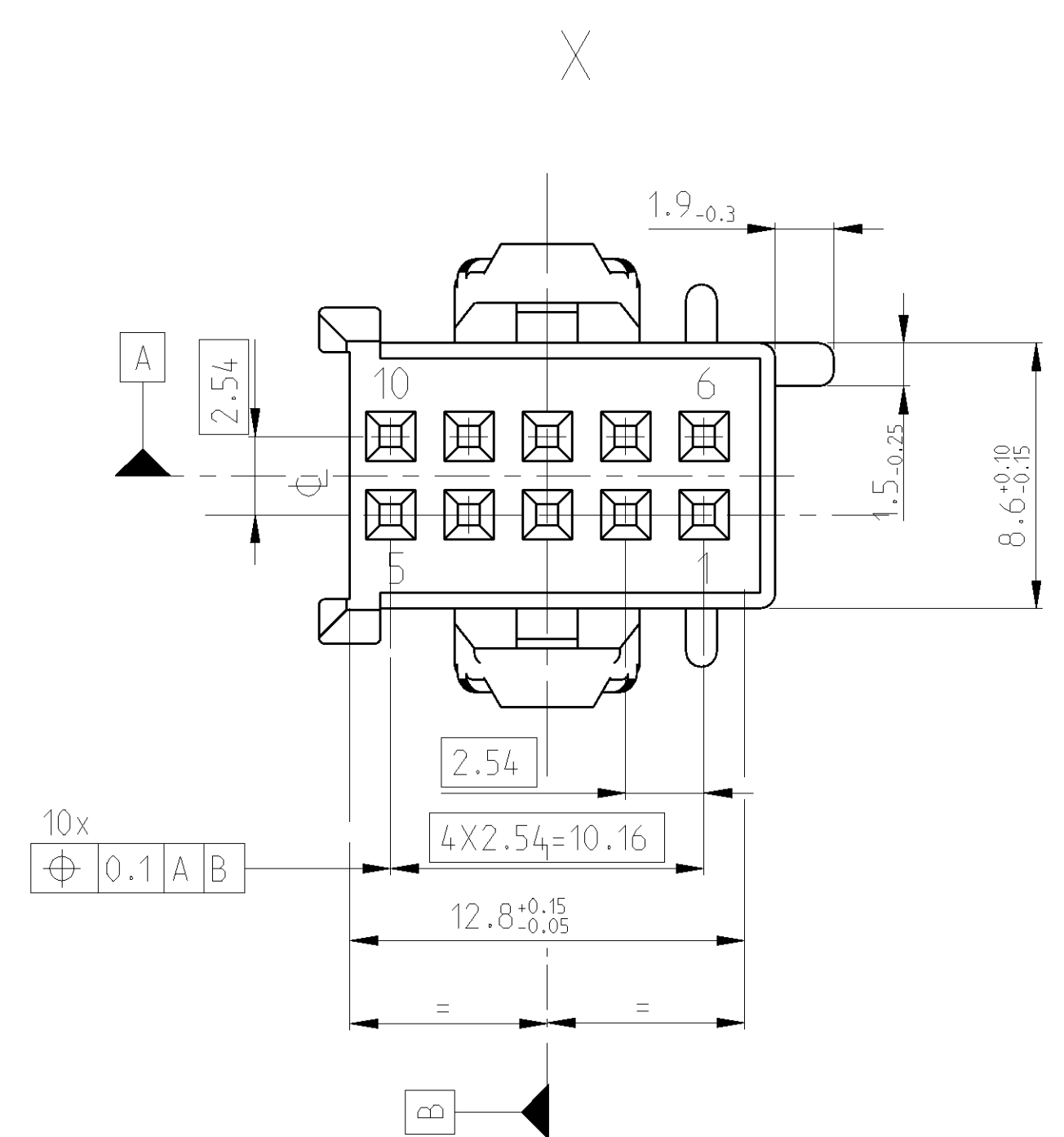
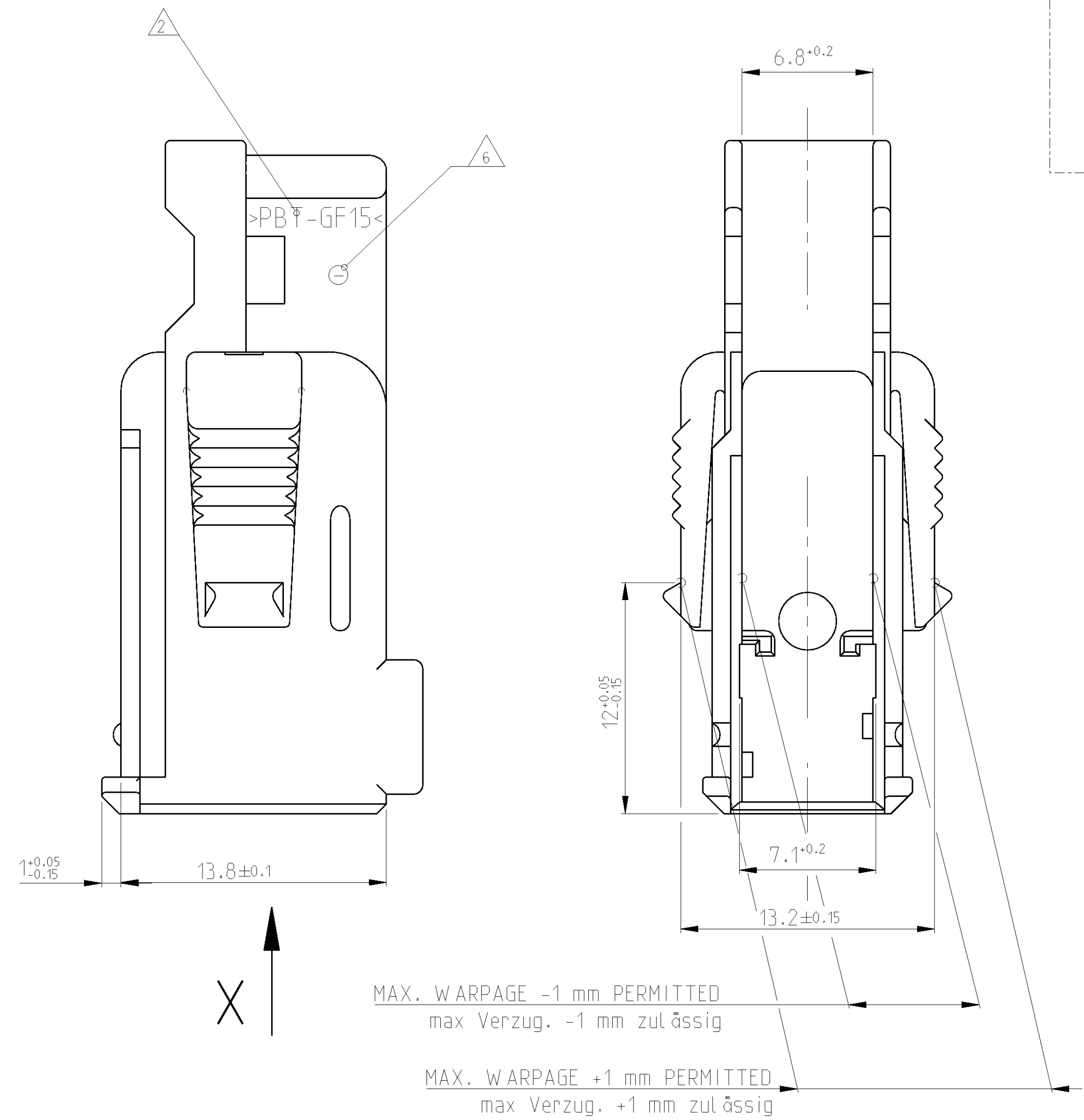
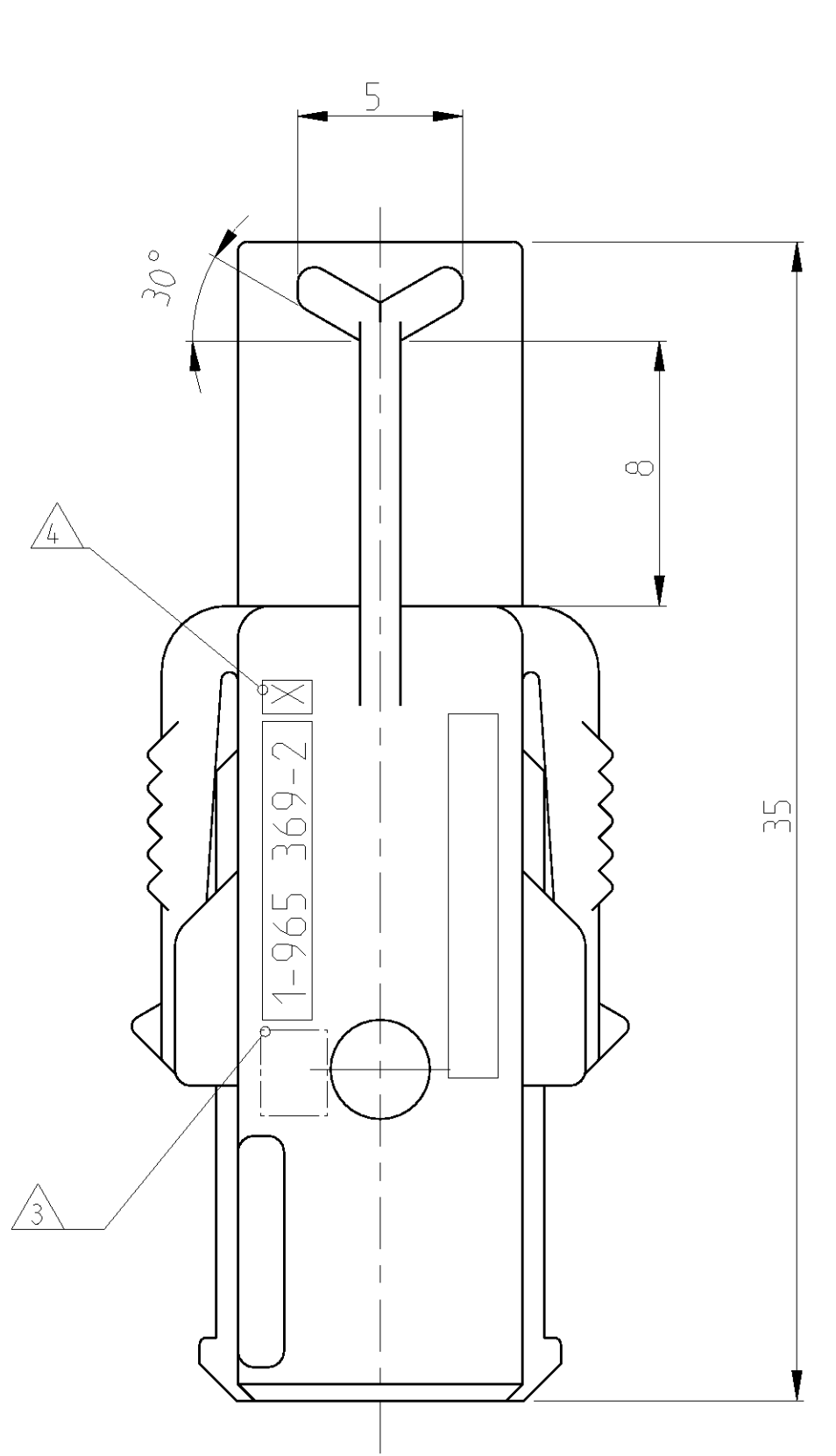


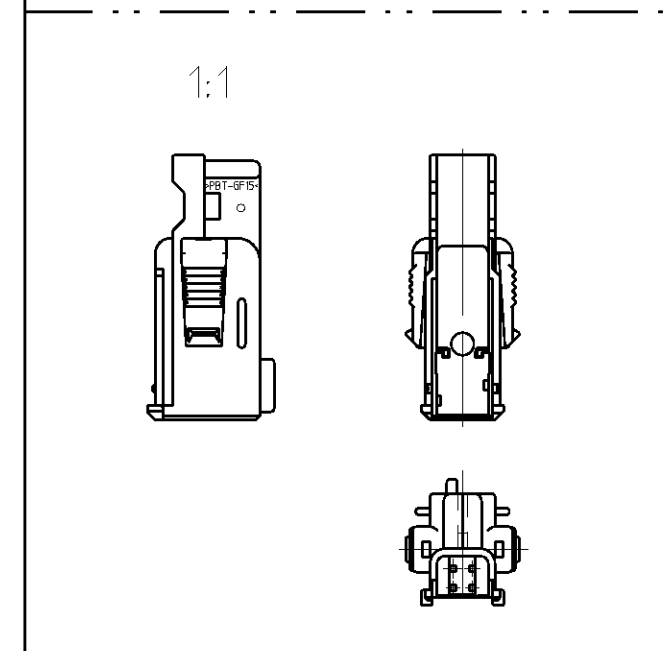
CODING M 2:1
 Kodierungen

A B C D Z

LOC	DIST	REV	DATE	DWN	APVD
AI	-	C	28APR2010	MDA	HHC



- NOTES**
 Bemerkungen
- ACCORDING TO SOCKET-HOUSING, 10 POS.
 TYCO ELECTRONICS NO.: 1-968562-1
 ACCORDING TO COVER
 TYCO ELECTRONICS NO.: 968286-2
 Passend zu Buchsenkontakt, 10pol.
 TYCO ELECTRONICS Nr.: 1-968562-1
 Passender Deckel
 TYCO ELECTRONICS Nr.: 968286-2
 - MATERIAL IDENTIFICATION.
 Materialkennzeichnung
 - TYCO ELECTRONICS PART NUMBER
 Tyco Electronics Teilenummer
 - REVISION INDEX
 Revisions Index
 - DATE CODE
 Datumcode
 - CAVITY MARKING
 Nestmarkierung
 - ONLY THE GERMAN LANGUAGE VERSION IS AUTHORITATIVE
 Massgebend ist nur der deutsche Text



REV.	TE PART NO	REV.	MATERIAL	SURFACE COLOR	DESCRIPTION	MATERIAL	FINISH/SURFLÄCHE/FARBE	WEIGHT/GEWICHT	CUSTOMER DRAW ING
-	-	-	-	-	-	-	-	-	-
A	1-965369-2	A	PBT-GF15	BLACK/schwarz SIM./aehnl. RAL 9011	SHIELD/Abdeckkappe	-	-	-	-

0 PLC	±	PRODUCT SPEC	SIZE	CAGE CODE	DRAWING NO	RESTRICTED TO
1 PLC	±	PRODUCT SPEC	AI	00779	965369	NON-PLER
2 PLC	±	APPLICATION SPEC	SCALE	5:1	SHEET	1
3 PLC	±	APPLICATION SPEC	SCALE	5:1	OF	1
4 PLC	±	APPLICATION SPEC	SCALE	5:1	REV	C

Mouser Electronics

Authorized Distributor

Click to View Pricing, Inventory, Delivery & Lifecycle Information:

[TE Connectivity:](#)

[2-965369-1](#)