

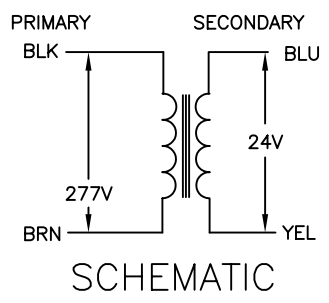
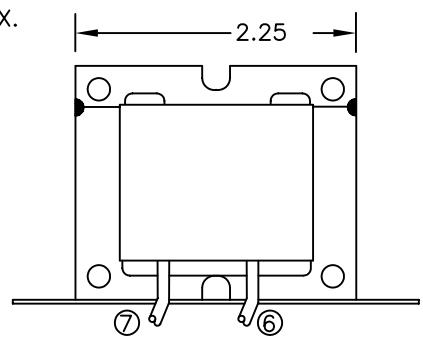
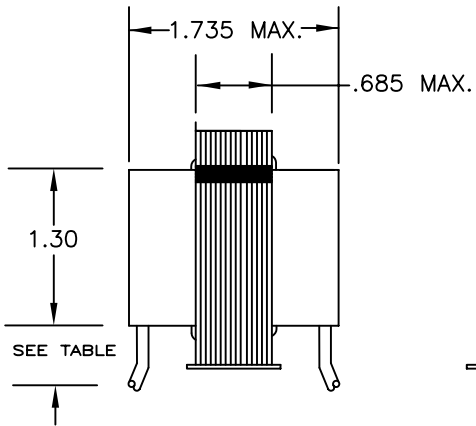
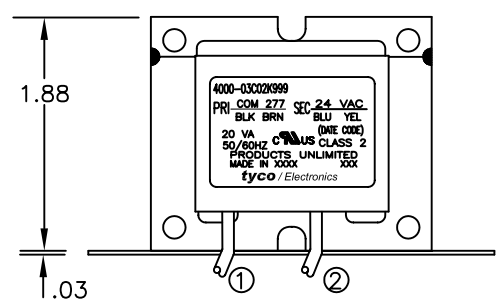
ALL LEADS 18AWG—UNLESS OTHERWISE SPECIFIED

PRIMARY					
LEAD NO.	1	2	3	4	5
VOLTAGE	COM	277			
COLOR	BLK	BRN			
LENGTH	12.0	12.0			
STRIP LENGTH	.50	.50			

- NOTES
1. DIMENSIONS FOR REFERENCE ONLY.
 2. WINDING PROTECTION—INHERENTLY LIMITING

CERTIFICATION:UL/CUL FILE NO E87824

SECONDARY				
LEAD NO.	6	7	8	9
VOLTAGE	24	VAC		
COLOR	BLU	YEL		
LENGTH	12.0	12.0		
STRIP LENGTH	.50	.50		



TYCO PART NUMBER
6-1672104-1

THIS DRAWING IS A CONTROLLED DOCUMENT.		DWN K.H.	13AUG03	Tyco Electronics Corporation Harrisburg, PA 17105-3608											
DIMENSIONS: INCHES		CHK DH	13AUG03												
TOLERANCES UNLESS OTHERWISE SPECIFIED:		APVD HT	13AUG03												
<table border="1"> <tr><td>0 PLC</td><td>± -</td></tr> <tr><td>1 PLC</td><td>± -</td></tr> <tr><td>2 PLC</td><td>± -</td></tr> <tr><td>3 PLC</td><td>± -</td></tr> <tr><td>4 PLC</td><td>± -</td></tr> <tr><td>ANGLES</td><td>± -</td></tr> </table>		0 PLC	± -		1 PLC	± -	2 PLC	± -	3 PLC	± -	4 PLC	± -	ANGLES	± -	PRODUCT SPEC
0 PLC	± -														
1 PLC	± -														
2 PLC	± -														
3 PLC	± -														
4 PLC	± -														
ANGLES	± -														
MATERIAL	FINISH	APPLICATION SPEC	RESTRICTED TO												
-		WEIGHT	SCALE	1:1											
-		CUSTOMER DRAWING	SHEET	1 OF 1											
		SIZE	DRAWING NO	REV											
		A3	00779	0											
		C=4000-03C02K999													

Mouser Electronics

Authorized Distributor

Click to View Pricing, Inventory, Delivery & Lifecycle Information:

[TE Connectivity:](#)

[4000-03C02K999](#)