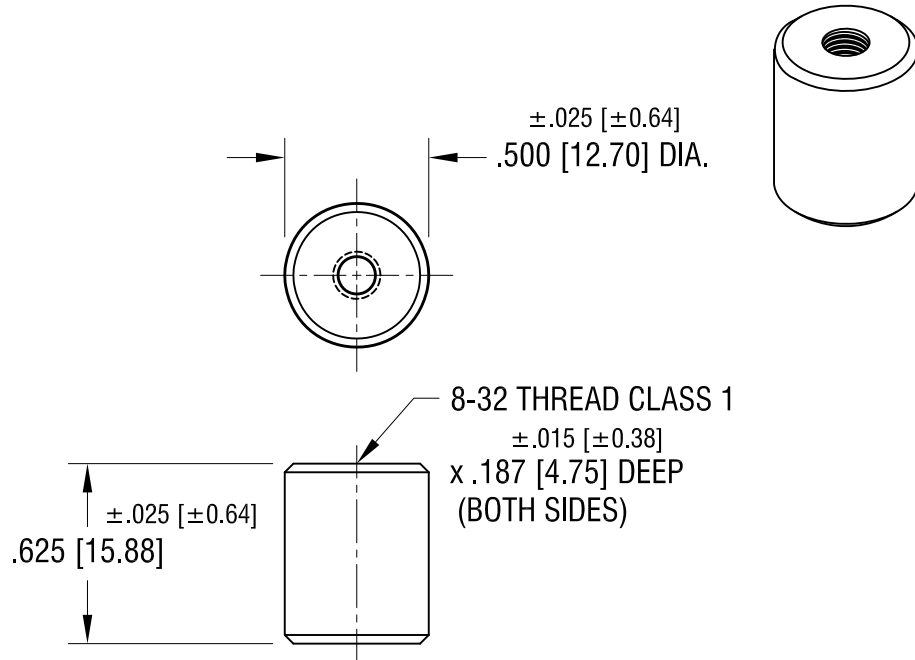


THIS DOCUMENT IS THE PROPERTY OF  
KEYSTONE ELECTRONICS CORP. AND  
SHALL NOT BE REPRODUCED, DISTRIBUTED  
OR USED AS A BASIS FOR MANUFACTURE  
WITHOUT PRIOR WRITTEN PERMISSION  
FROM KEYSTONE ELECTRONICS CORP.



**NOTE:**

1. MARKED WITH NL #: NL523W02-005

<b>KEYSTONE ELECTRONICS CORP.</b>			
www.keyelco.com • ASTORIA, N.Y. 11105-2017 • Tel (718) 956-8900			
PART NAME		CERAMIC STANDOFF	
MATERIAL		GRADE L5 CERAMIC	
FINISH		DRN BY	DATE
GLAZED		BOONE	2.9.98
		APP'D	SCALE
		LN	1.5X
DATE	DESCRIPTION	REV.	TOLERANCES INCH [MM]
11.10.11	CHANGE AS PER ECN 11-155	A	DECIMAL ±.005 [±0.15]
			ANGULAR ± 1°
			UNLESS OTHERWISE SPECIFIED
			CODE DWG NO.
			C/M 7663

# Mouser Electronics

Authorized Distributor

Click to View Pricing, Inventory, Delivery & Lifecycle Information:

[Keystone Electronics:](#)

[7663](#)