

**PLEASE CHECK WWW.MOLEX.COM FOR LATEST PART INFORMATION**

**Part Number:** [0639107700](#)  
**Status:** **Active**  
**Overview:** [Application Tooling](#)  
**Description:** T2 Terminator Tooling Die for 2.00mm Crimp Terminal, 22-26 AWG

**Documents:**

[RoHS Certificate of Compliance \(PDF\)](#)

**General**

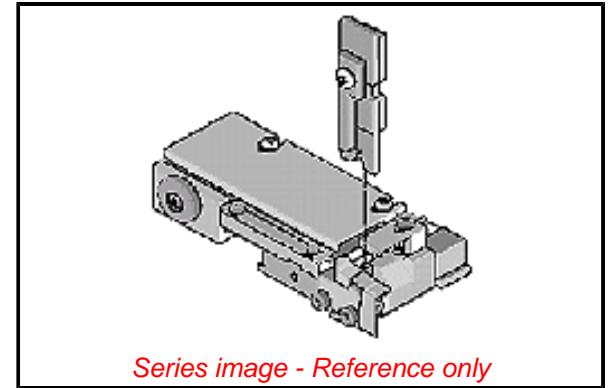
Product Family	Application Tooling
Series	<a href="#">207122</a>
Comments	See Tooling Specification (PDF) Above
Function	Crimp
Geographic Area	Global
Level of Automation	Semi-Automatic
More Detailed Tech Information	<a href="mailto:applicationtooling@molex.com">applicationtooling@molex.com</a>
Overview	<a href="#">Application Tooling</a>
Product Name	T2
Tool Type	Terminator Die
UPC	883906227821
Warranty Disclaimer	CAUTION: Molex tooling crimp specifications are valid only when used with Molex terminals and tooling manufactured by Molex and sold by Molex or authorized distributors ("Molex Tooling"). When using tooling other than Molex Tooling with Molex specific connector systems listed in our ATS documents, the Molex tooling qualification does not apply and the responsibility for full qualification of the connector system is that of the customer. Molex accepts no liability for connector performance or tooling support where tooling other than Molex Tooling is used or where Molex Tooling is modified.

**Material Info**

**Reference - Drawing Numbers**

Application Tooling Documents

ATS-639107700, TM-638000029-001, TM-638000029CN-001, TM-638000029DE-001, TM-638000029FR-001, TM-638000029IT-001, TM-638000029JP-001, TM-638000029KR-001, TM-638000029MY-001, TM-638000029PL-001, TM-638000029RU-001, TM-638000029SK-001, TM-638000029SP-001, TM-638000029TH-001, TM-638000029TW-001, TM-638000029VN-001, TM-638500090, TM-638500090SP



**EU ELV**

**Not Reviewed**

**EU RoHS**

**Not Reviewed**

**REACH SVHC**

Not Reviewed

**Halogen-Free**

**Status**

**Not Reviewed**

For more information, please visit [Contact US](#)

China ROHS

Not Reviewed

ELV

Not Reviewed

RoHS Phthalates

Not Reviewed

**Search Parts in this Series**

[207122 Series](#)

**Use With**

Molex TM-42 Press [690025001](#) and Base Unit [11193001](#) for the 3BF Press

**Application Tooling**

**Description**

**FAQ**

**Product #**

1.57mm Diameter, [2061101](#)

Standard .062" Pin and Socket Crimp Terminal, Female, with Tin (Sn) Plated Brass Contact, 18-24 AWG, Reel

1.57mm Diameter, [2061103](#)

Standard .062" Pin and Socket Crimp Terminal, Female, with Tin (Sn) Plated Brass Contact, 18-24 AWG, Bag

1.57mm Diameter, [2061104](#)

Standard .062" Pin and Socket Crimp Terminal, Series

4529, Female, with  
Tin (Sn) Plated  
Phosphor Bronze  
Contact, 18-24 AWG,  
Reel

1.57mm Diameter, 2061118  
Standard .062" Pin  
and Socket Crimp  
Terminal, Series

1561, Female, with  
Tin (Sn) Plated Brass  
Contact, Without  
Locking Tabs,  
18-24 AWG, Reel  
Packaged

1.57mm Diameter, 2061131  
Standard .062" Pin  
and Socket Crimp  
Terminal, Series

1855, Female, with  
Tin (Sn) Plated Brass  
Contact, 24-30 AWG,  
Reel

1.57mm Diameter, 2061132  
Standard .062" Pin  
and Socket Crimp  
Terminal, Series

1855, Female, with  
Tin (Sn) Plated Brass  
Contact, 24-30 AWG,  
Bag

1.57mm Diameter, 2061141  
Standard .062" Pin  
and Socket Crimp  
Terminal, Series

1855, Female, with  
Tin (Sn) Plated  
Brass Contact,  
24-30 AWG, Without  
Locking Tabs, Reel  
Packaged

1.57mm Diameter, 2061143  
Standard .062" Pin  
and Socket Crimp  
Terminal, Series

1855, Female, with  
Tin (Sn) Plated Brass  
Contact, 24-30 AWG,  
Reel Packaged with  
Interleaf Paper

1.57mm Diameter, 2062101  
Standard .062" Pin  
and Socket Crimp  
Terminal, Series

1560, Male, with Tin  
(Sn) Plated Brass  
Contact, 18-24 AWG,  
Reel

1.57mm Diameter, 2062103  
Standard .062" Pin  
and Socket Crimp  
Terminal, Series

1560, Male, with Tin  
(Sn) Plated Brass

Contact, 18-24 AWG,  
Bag  
1.57mm Diameter, 2062131  
Standard .062" Pin  
and Socket Crimp  
Terminal, Series  
1854, Male, with Tin  
(Sn) Plated Brass  
Contact, 24-30 AWG,  
Reel  
1.57mm Diameter, 2062132  
Standard .062" Pin  
and Socket Crimp  
Terminal, Series  
1854, Male, with Tin  
(Sn) Plated Brass  
Contact, 24-30 AWG,  
Bag  
1.57mm Diameter, 2065100  
Standard .062" Pin  
and Socket Crimp  
Terminal, Female,  
with 0.38 $\mu$ m Gold  
(Au) Plated Brass  
Contact, 18-24 AWG,  
Reel  
1.57mm Diameter, 2065101  
Standard .062" Pin  
and Socket Crimp  
Terminal, Female,  
with 0.76 $\mu$ m Gold  
(Au) Plated Brass  
Contact, 18-24 AWG,  
Reel  
1.57mm Diameter, 2065102  
Standard .062" Pin  
and Socket Crimp  
Terminal, Female,  
with 0.76 $\mu$ m Gold  
(Au) Plated Brass  
Contact, 18-24 AWG,  
Bag  
1.57mm Diameter, 2065103  
Standard .062" Pin  
and Socket Crimp  
Terminal, Female,  
with 0.38 $\mu$ m Gold  
(Au) Plated Brass  
Contact, 18-24 AWG,  
Bag  
1.57mm Diameter, 2065104  
Standard .062" Pin  
and Socket Crimp  
Terminal, Series  
1561, Female,  
with 1.27 $\mu$ m Gold  
Max. Insulation  
Diameter, Loose in  
Bag Packaged  
1.57mm Diameter, 2065105  
Standard .062" Pin  
and Socket Crimp  
Terminal, Series  
1561, Female, with  
1.27 $\mu$ m Gold Max.

Insulation Diameter,  
Reel

1.57mm Diameter, 2065108  
Standard .062" Pin  
and Socket Crimp  
Terminal, Female,  
with Selective Gold  
(Au) Plated Brass  
Contact, 18-24 AWG,  
Reel

1.57mm Diameter, 2065109  
Standard .062" Pin  
and Socket Crimp  
Terminal, Female,  
with Selective Gold  
(Au) Plated Brass  
Contact, 18-24 AWG,  
Bag

1.57mm Diameter, 2065130  
Standard .062" Pin  
and Socket Crimp  
Terminal, Series  
1855, Female,  
with 0.38 $\mu$ m Gold  
(Au) Plated Brass  
Contact, 24-30 AWG,  
Reel

1.57mm Diameter, 2065135  
Standard .062" Pin  
and Socket Crimp  
Terminal, Series  
1855, Female,  
with 0.38 $\mu$ m Gold  
(Au) Plated Brass  
Contact, 24-30 AWG,  
Bag

1.57mm Diameter, 2065138  
Standard .062" Pin  
and Socket Crimp  
Terminal, Series  
1855, Female,  
with 0.76 $\mu$ m Gold  
(Au) Plated Brass  
Contact, 24-30 AWG,  
Reel

1.57mm Diameter, 2065139  
Standard .062" Pin  
and Socket Crimp  
Terminal, Series  
1855, Female,  
with 0.76 $\mu$ m Gold  
(Au) Plated Brass  
Contact, 24-30 AWG,  
Bag

1.57mm Diameter, 2065147  
Standard .062" Pin  
and Socket Crimp  
Terminal, Series  
1855, Female, with  
Selective Gold  
(Au) Plated Brass  
Contact, 24-30 AWG,  
Reel

1.57mm Diameter, 2065148  
Standard .062" Pin

and Socket Crimp  
Terminal, Series  
1855, Female, with  
Selective Gold  
(Au) Plated Brass  
Contact, 24-30 AWG,  
Bag  
1.57mm Diameter, 2066100  
Standard .062" Pin  
and Socket Crimp  
Terminal, Series  
1560, Male, with  
Gold (Au) Plated  
Brass Contact, 18-24  
AWG, Reel  
1.57mm Diameter, 2066101  
Standard .062"  
Pin and Socket  
Crimp Terminal,  
Series 1560, Male,  
with .76µm Selective  
Gold (Au) Plated  
Brass Contact,  
18-24 AWG, Reel  
Packaged  
1.57mm Diameter, 2066102  
Standard .062"  
Pin and Socket  
Crimp Terminal,  
Series 1560, Male,  
with .76µm Selective  
Gold (Au) Plated  
Brass Contact, 18-24  
AWG, Bag Packaged  
1.57mm Diameter, 2066103  
Standard .062" Pin  
and Socket Crimp  
Terminal, Series  
1560, Male, with  
Gold (Au) Plated  
Brass Contact, 18-24  
AWG, Bag  
1.57mm Diameter, 2066104  
Standard .062"  
Pin and Socket  
Crimp Terminal,  
Series 1560, Male,  
with Selective  
1.27µm Select Gold  
(Au) Plated Brass  
Contact, 18-24 AWG,  
Bag Packaged  
062 Male Term 2066105  
Chain Brs 50Au  
18-24  
1.57mm Diameter, 2066118  
Standard .062" Pin  
and Socket Crimp  
Terminal, Series  
1560, Male, with  
Selective Gold  
(Au) Plated Brass  
Contact, Tin/Lead  
Plated Crimp Area,  
18-24 AWG, Reel

1.57mm Diameter, [2066119](#)  
Standard .062" Pin  
and Socket Crimp  
Terminal, Series  
1560, Male, with  
Selective Gold  
(Au) Plated Brass  
Contact, Tin/Lead  
Plated Crimp Area,  
18-24 AWG, Bag

1.57mm Diameter, [2066122](#)  
Standard .062"  
Pin and Socket  
PC Tail Terminal,  
Series 1778, Male,  
with Selective Gold  
(Au) Plated Brass  
Contact, Bag

.062 Male Term PC [2066125](#)  
Tail 30 au

1.57mm Diameter, [2066130](#)  
Standard .062" Pin  
and Socket Crimp  
Terminal, Series  
1854, Male, with  
Gold (Au) Plated  
Brass Contact, 24-30  
AWG, Reel

1.57mm Diameter, [2066135](#)  
Standard .062" Pin  
and Socket Crimp  
Terminal, Series  
1854, Male, with  
Gold (Au) Plated  
Brass Contact, 24-30  
AWG, Bag

1.57mm Diameter, [2066138](#)  
Standard .062" Pin  
and Socket Crimp  
Terminal, Series  
1854, Male, with  
Selective Gold  
(Au) Plated Brass  
Contact, 24-30 AWG,  
Reel

1.57mm Diameter, [2066139](#)  
Standard .062" Pin  
and Socket Crimp  
Terminal, Series  
1854, Male, with  
Selective Gold  
(Au) Plated Brass  
Contact, 24-30 AWG,  
Bag

1.57mm Diameter, [2066143](#)  
Standard .062" Pin  
and Socket Crimp  
Terminal, Series  
1854, Male, with  
Selective Gold  
(Au) Plated Brass  
Contact, Tin (Sn)  
Plated Crimp Area,  
24-30 AWG, Reel

1.57mm Diameter, 2066144  
 Standard .062" Pin  
 and Socket Crimp  
 Terminal, Series  
 1854, Male, with  
 Selective Gold  
 (Au) Plated Brass  
 Contact, Tin (Sn)  
 Plated Crimp Area,  
 24-30 AWG, Bag

1.57mm Diameter, 2067103  
 Standard .062" Pin  
 and Socket PC Tail  
 Terminal, Series  
 1779, Female,  
 with 2.54µm Tin  
 (Sn) Plated Brass  
 Contact, Bag  
 Packaged

1.57mm Diameter, 2067104  
 Standard .062" Pin  
 and Socket PC Tail  
 Terminal, Series  
 1779, Female,  
 with .76µm Selective  
 Gold (Au) Plated  
 Brass Contact, Bag  
 Packaged

1.57mm Diameter, 2068103  
 Standard .062" Pin  
 and Socket PC Tail  
 Terminal, Series  
 1778, Male, with Tin  
 (Sn) Plated Brass  
 Contact, Bag

062 Male Term Tin 2068104  
 PCTail Chn

Vertical Solder 2072101  
 Relief (VSR) Direct-  
 Solder Crimp  
 Terminal, Series  
 4706, Male, Tin  
 Terminal Progression

MLX Female Crimp 2081001  
 Terminal 42024,  
 14-20 AWG, Reel,  
 Brass, Tin (Sn)  
 Plating

MLX Crimp Terminal 2081002  
 42024, 14-20 AWG,  
 Bag Tin (Sn)

MLX Female Crimp 2081003  
 Terminal 42024,  
 14-20 AWG, Reel,  
 Phosphor Bronze,  
 Tin (Sn) Plating

MLX Crimp Terminal 2081004  
 42024, 14-20 AWG,  
 Bag Tin (Sn)

Claspcn Crimp 2081101  
 Terminal Socket, Tin  
 (Sn) Plated Brass  
 Contact, 16-24 AWG,  
 Reel

Claspcn Crimp 2081102  
 Terminal Socket, Tin  
 (Sn) Plated Brass  
 Contact, 16-24 AWG,  
 Bag

Claspcn Crimp 2081103  
 Terminal Socket, Tin  
 (Sn) Plated Brass  
 Contact, 24-30 AWG,  
 Reel

Claspcn Crimp 2081104  
 Terminal Socket, Tin  
 (Sn) Plated Brass  
 Contact, 24-30 AWG,  
 Bag

Disk Drive Power 2081201  
 Connection System,  
 Female Crimp  
 Terminal, Reel,  
 Phosphor Bronze,  
 AWG 14-20

.084" UNPLATED 2081211  
 TERMINAL 8980V01

.084" PC TAIL TERM2081212  
 - 999 8980R11

.084" PC TAIL TERM2081214  
 - 999 8980R13

2.096MM DIA 2081266  
 TERMINAL

2.096MM DIA 2081268  
 TERMINAL

2.13mm DIA PC 2081309  
 TAIL TERM PhBr

2.54SnLF  
 2.096MM DIA 2081363  
 TERMINAL PhBr

2.54SnLF  
 2.096MM DIA 2081365  
 TERMINAL PhBr

2.54SnLF  
 MLX Male Crimp 2082003  
 Terminal 42023,  
 14-20 AWG, Reel,  
 Brass, Tin (Sn)  
 Plating

MLX Crimp Terminal 2082004  
 42023, 14-20 AWG,  
 Bag Tin (Sn)

MLX Male Crimp 2082005  
 Terminal 42023,  
 14-20 AWG, Reel,  
 Phosphor Bronze,  
 Tin (Sn) Plating

MLX Crimp Terminal 2082006  
 42023, 14-20 AWG,  
 Bag Tin (Sn)

MLX Crimp Terminal 2082008  
 42023, 14-20 AWG,  
 Bag Selective Gold  
 (Au)

42023-2A0, Ter Male 2082011  
 2.13 Chn Unplate

Claspcn Crimp 2085101  
 Terminal Socket, Tin  
 (Sn) Plated Brass



Contact, 16-24 AWG,  
Reel  
2.36mm Diameter, [2091102](#)  
Standard .093" Pin  
and Socket Crimp  
Terminal, Series  
1189, Female, with  
Tin (Sn) Plated Brass  
Contact, 14-20 AWG,  
Reel  
2.36mm Diameter, [2091104](#)  
Standard .093" Pin  
and Socket Crimp  
Terminal, Series  
1189, Female, with  
Tin (Sn) Plated Brass  
Contact, 14-20 AWG,  
Bag  
093FemaleTerm [2091115](#)  
Chain/IntLeaf Brs  
Tin18-22  
2.36mm Diameter, [2091117](#)  
Standard .093" Pin  
and Socket Crimp  
Terminal, Series  
1381, Female, with  
Tin (Sn) Plated Brass  
Contact, 18-22 AWG,  
Reel  
2.36mm Diameter [2091118](#)  
Standard .093"  
Crimp Terminal,  
Dimpled Female,  
18-22 AWG, Bag  
2.36mm Diameter, [2091119](#)  
Standard .093" Pin  
and Socket Crimp  
Terminal, Series  
1381, Female, with  
Tin (Sn) Plated Brass  
Contact, 18-22 AWG,  
Bag  
2.36mm Diameter, [2091122](#)  
Standard .093" Pin  
and Socket Crimp  
Terminal, Series  
2273, Female, with  
Tin (Sn) Plated  
Contact, Low  
Engagement Force,  
18-22 AWG, Reel  
2.36mm Diameter, [2091123](#)  
Standard .093" Pin  
and Socket Crimp  
Terminal, Series  
2273, Female, with  
Tin (Sn) Plated  
Contact, Low  
Engagement Force,  
18-22 AWG, Bag  
2.36mm Diameter, [2091134](#)  
Standard .093" Pin  
and Socket PC Tail  
Terminal, Series  
1377, Female, with

Tin (Sn) Plated  
Contact, Bag  
Crimp Terminal 2091153  
41483, 14-18 AWG,  
Reel  
2.36mm Diameter, 2091155  
Standard .093" Pin  
and Socket Crimp  
Terminal, Series  
41483, Female, with  
Tin (Sn) Plated Brass  
Contact, 14-18 AWG  
with Large Insulation  
Diameter, Chain  
2.36mm Diameter, 2091205  
Standard .093" Pin  
and Socket Crimp  
Terminal, Series  
4550, Female, with  
Tin (Sn) Plated  
Phosphor Bronze  
Contact, 14-20 AWG,  
Reel  
2.36mm Diameter, 2091206  
Standard .093" Pin  
and Socket Crimp  
Terminal, Series  
4550, Female, with  
Tin (Sn) Plated  
Phosphor Bronze  
Contact, 14-20 AWG,  
Bag  
2.36mm Diameter, 2091615  
Standard .093"  
Pin and Socket  
Crimp Terminal,  
Series 42477,  
Female, with Tin  
(Sn) Plated Contact,  
High Current/Low  
Engagement Force,  
14-18 AWG, Reel  
2.36mm Diameter 2091651  
Socket, Without  
Insulation Crimp for  
16-20 AWG Wire  
2.36mm Diameter, 2092101  
Standard .093" Pin  
and Socket Crimp  
Terminal, Series  
1190, Male, with Tin  
(Sn) Plated Brass  
Contact, 14-20 AWG,  
Reel  
2.36mm Diameter, 2092103  
Standard .093" Pin  
and Socket Crimp  
Terminal, Series  
1190, Male, with Tin  
(Sn) Plated Brass  
Contact, 14-20 AWG,  
Bag  
Vertical Solder Relief 2092105  
(VSR) Direct-Solder  
Crimp Terminal,

Series 4706, Male,  
Tin (Sn) Plated Brass  
Contact, 16-18 AWG,  
11.20mm Terminal  
Progression  
2.36mm Diameter, [2092116](#)  
Standard .093" Pin  
and Socket Crimp  
Terminal, Series  
1380, Male, with Tin  
(Sn) Plated Brass  
Contact, 18-22 AWG,  
Reel  
2.36mm Diameter, [2092117](#)  
Standard .093" Pin  
and Socket Crimp  
Terminal, Series  
1380, Male, with Tin  
(Sn) Plated Brass  
Contact, without  
Dents, 18-22 AWG,  
Reel  
2.36mm Diameter, [2092118](#)  
Standard .093" Pin  
and Socket Crimp  
Terminal, Series  
1380, Male, with Tin  
(Sn) Plated Brass  
Contact, 18-22 AWG,  
Bag  
093 MaleTermChain/[2092127](#)  
IntLeaf Brs Tin18-22  
2.36mm Diameter, [2092133](#)  
Standard .093" Pin  
and Socket PC Tail  
Terminal, Series  
1376, Male, with Tin/  
Lead (Sn/Pb) Plated  
Contact, With Detent,  
Bag Packaged  
2.36mm Diameter, [2092134](#)  
Standard .093" Pin  
and Socket PC Tail  
Terminal, Series  
1376, Male, with Tin  
(Sn) Plated Contact,  
Without Detent, Bag  
Packaged  
2.36mm Diameter, [2092166](#)  
Standard .093" Pin  
and Socket Crimp  
Terminal, Series  
4549, Male, with  
Tin (Sn) Plated  
Phosphor Bronze  
Contact, 14-20 AWG,  
Reel Packaged  
2.36mm Diameter, [2092167](#)  
Standard .093" Pin  
and Socket Crimp  
Terminal, Series  
4549, Male, with  
Tin (Sn) Plated  
Phosphor Bronze

Contact, 14-20 AWG,  
Bag Packaged  
2.36mm Diameter, 2092170  
Standard .093" Pin  
and Socket Crimp  
Terminal, Series  
1190, Male, with Tin  
(Sn) Plated Brass  
Contact, 14-18 AWG,  
Large Insulation  
Crimp, Reel  
2.36mm Diameter, 2092171  
Standard .093" Pin  
and Socket Crimp  
Terminal, Series  
1190, Male, with Tin  
(Sn) Plated Brass  
Contact, 14-18 AWG,  
Large Insulation  
Crimp, Bag  
2.36mm Diameter, 2092611  
Standard .093" Pin  
and Socket Crimp  
Terminal, Series  
42478, Male, with Tin  
(Sn) Plated Contact,  
High Current/Low  
Engagement Force,  
14-18 AWG, Reel  
2.36mm Diameter, 2095100  
Standard .093" Pin  
and Socket Crimp  
Terminal, Series  
1189, Female, with  
Gold (Au) Plated  
Brass Contact, 14-20  
AWG, Reel  
2.36mm Diameter, 2095101  
Standard .093" Pin  
and Socket Crimp  
Terminal, Series  
1190, Male, with Tin  
(Sn) Plated Brass  
Contact, 14-20 AWG,  
Chain  
2.36mm Diameter, 2095102  
Standard .093" Pin  
and Socket Crimp  
Terminal, Series  
1189, Female, with  
Selective Gold  
(Au) Plated Brass  
Contact, 14-20 AWG,  
Reel  
2.36mm Diameter, 2095106  
Standard .093" Pin  
and Socket Crimp  
Terminal, Series  
1189, Female, with  
Gold (Au) Plated  
Brass Contact, 14-20  
AWG, Bag  
2.36mm Diameter, 2095111  
Standard .093" Pin  
and Socket Crimp

Terminal, Series  
1189, Female, with  
Selective Gold  
(Au) Plated Brass  
Contact, 14-20 AWG,  
Bag  
2.36mm Diameter, 2095130  
Standard .093" Pin  
and Socket Crimp  
Terminal, Series  
1381, Female, with  
Selective Gold  
(Au) Plated Brass  
Contact, 18-22 AWG,  
Reel  
2.36mm Diameter, 2095132  
Standard .093" Pin  
and Socket PC Tail  
Terminal, Series  
1377, Female, with  
Gold (Au) Plated  
Contact, Bag  
2.36mm Diameter, 2095133  
Standard .093" Pin  
and Socket Crimp  
Terminal, Series  
1381, Female, with  
Selective Gold  
(Au) Plated Brass  
Contact, 18-22 AWG,  
Bag  
2.36mm Diameter, 2095142  
Standard .093" Pin  
and Socket Crimp  
Terminal, Series  
1381, Female, with  
Gold (Au) Plated  
Brass Contact, 18-22  
AWG, Bag  
2.36mm Diameter, 2095143  
Standard .093" Pin  
and Socket Crimp  
Terminal, Series  
1381, Female, with  
Gold (Au) Plated  
Brass Contact, 18-22  
AWG, Reel  
2.36mm Diameter, 2095169  
Standard .093" Pin  
and Socket Crimp  
Terminal, Series  
4550, Female, with  
Gold (Au) Plated  
Phosphor Bronze  
Contact, 14-20 AWG,  
Reel  
2.36mm Diameter, 2095170  
Standard .093" Pin  
and Socket Crimp  
Terminal, Series  
4550, Female, with  
Gold (Au) Plated  
Phosphor Bronze  
Contact, 14-20 AWG,  
Bag

2.36mm Diameter, [2096100](#)  
Standard .093" Pin  
and Socket Crimp  
Terminal, Series  
1190, Male, with  
Gold (Au) Plated  
Brass Contact, 14-20  
AWG, Reel

2.36mm Diameter, [2096101](#)  
Standard .093" Pin  
and Socket Crimp  
Terminal, Series  
1190, Male, with  
Selective Gold  
(Au) Plated Brass  
Contact, 14-20 AWG,  
Reel

2.36mm Diameter, [2096102](#)  
Standard .093" Pin  
and Socket Crimp  
Terminal, Series  
1189, Female, with  
Tin (Sn) Plated Brass  
Contact, 14-20 AWG,  
Reel

2.36mm Diameter, [2096106](#)  
Standard .093" Pin  
and Socket Crimp  
Terminal, Series  
1190, Male, with  
Gold (Au) Plated  
Brass Contact, 14-20  
AWG, Bag

2.36mm Diameter, [2096110](#)  
Standard .093" Pin  
and Socket Crimp  
Terminal, Series  
1190, Male, with  
Selective Gold  
(Au) Plated Brass  
Contact, 14-20 AWG,  
Bag

2.36mm Diameter, [2096122](#)  
Standard .093" Pin  
and Socket Crimp  
Terminal, Series  
1380, Male, with  
Gold (Au) Plated  
Brass Contact, 18-22  
AWG, Reel

2.36mm Diameter, [2096123](#)  
Standard .093" Pin  
and Socket Crimp  
Terminal, Series  
1380, Male, with  
Gold (Au) Plated  
Brass Contact, 18-22  
AWG, Bag

2.36mm Diameter, [2096125](#)  
Standard .093" Pin  
and Socket Crimp  
Terminal, Series  
1380, Male, with  
Selective Gold  
(Au) Plated Brass

Contact, 18-22 AWG,  
Reel  
2.36mm Diameter, 2096126  
Standard .093" Pin  
and Socket Crimp  
Terminal, Series  
1380, Male, with  
Selective Gold  
(Au) Plated Brass  
Contact, 18-22 AWG,  
Bag  
2.36mm Diameter, 2096132  
Standard .093"  
Pin and Socket  
PC Tail Terminal,  
Series 1376, Male,  
with Gold (Au)  
Plated Contact,  
Without Detent, Bag  
Packaged  
2.36mm Diameter, 2098103  
Standard .093" Pin  
and Socket Crimp  
Grounding Terminal,  
Series 1973, Male,  
with Tin (Sn) Plated  
Brass Contact, 18-22  
AWG, Reel  
2.36mm Diameter, 2098104  
Standard .093" Pin  
and Socket Crimp  
Grounding Terminal,  
Series 1973, Male,  
with Tin (Sn) Plated  
Brass Contact, 18-22  
AWG, Bag  
2.36mm Diameter, 2098108  
Standard .093" Pin  
and Socket Crimp  
Grounding Terminal,  
Series 1973, Male,  
with Tin (Sn) Plated  
Brass Contact, 14-18  
AWG, Reel  
2.36mm Diameter, 2098109  
Standard .093" Pin  
and Socket Crimp  
Grounding Terminal,  
Series 1973, Male,  
with Tin (Sn) Plated  
Brass Contact, 14-18  
AWG, Bag  
Mini-Fit Jr. 3044052  
Receptacle Housing,  
Single Row, 5  
Circuits, UL 94V-2,  
Natural  
1.57mm Diameter 3061011  
Standard .062"  
Pin and Socket  
Receptacle Housing,  
1 Circuits, Natural  
1.57mm Diameter 3061022  
Standard .062"  
Pin and Socket

Receptacle Housing,  
2 Circuits, with Pre-  
bent Mounting Ears,  
Natural  
1.57mm Diameter 3061023  
Standard .062"  
Pin and Socket

Receptacle Housing,  
2 Circuits, without  
Mounting Ears,  
Natural  
1.57mm Diameter 3061031  
Standard .062"  
Pin and Socket

Receptacle Housing,  
3 Circuits, with  
Standard Mounting  
Ears  
1.57mm Diameter 3061032  
Standard .062"  
Pin and Socket

Receptacle Housing,  
3 Circuits, without  
Mounting Ears,  
Natural  
1.57mm Diameter 3061038  
Standard .062"  
Pin and Socket

Receptacle Housing,  
3 Circuits, with Pre-  
bent Mounting Ears,  
Natural  
1.57mm Diameter 3061041  
Standard .062"  
Pin and Socket

Receptacle Housing,  
4 Circuits, with  
Standard Mounting  
Ears  
1.57mm Diameter 3061042  
Standard .062"  
Pin and Socket

Receptacle Housing,  
4 Circuits, without  
Mounting Ears,  
Natural  
1.57mm Diameter 3061044  
Standard .062"  
Pin and Socket

Receptacle Housing,  
Dual Row, without  
Mounting Ears, PA  
Polyamide Nylon 6/6,  
UL 94V-2, 4 Circuits,  
Natural  
1.57mm Diameter 3061062  
Standard .062"  
Pin and Socket

Receptacle Housing,  
6 Circuits, without  
Mounting Ears,  
Natural  
1.57mm Diameter 3061092  
Standard .062"  
Pin and Socket



Receptacle Housing, 9 Circuits, without Mounting Ears, Natural 1.57mm Diameter Standard .062" Pin and Socket	<u>3061121</u>
Receptacle Housing, 12 Circuits, with Standard Mounting Ears, Natural 1.57mm Diameter Standard .062" Pin and Socket	<u>3061122</u>
Receptacle Housing, 12 Circuits, without Mounting Ears, Natural 1.57mm Diameter Standard .062" Pin and Socket Plug	<u>3062011</u>
Housing, 1 Circuits, Natural 1.57mm Diameter Standard .062" Pin and Socket Plug	<u>3062023</u>
Housing, 2 Circuits, without Mounting Ears, Natural 1.57mm Diameter Standard .062" Pin and Socket Plug Housing, 2	<u>3062024</u>
Circuits, with Pre- bent Mounting Ears, Natural 1.57mm Diameter Standard .062" Pin and Socket Plug	<u>3062031</u>
Housing, 3 Circuits, with Standard Mounting Ears, Natural 1.57mm Diameter Standard .062" Pin and Socket Plug	<u>3062032</u>
Housing, 3 Circuits, without Mounting Ears, Natural 1.57mm Diameter Standard .062" Pin and Socket Plug Housing, 3	<u>3062033</u>
Circuits, with Pre- bent Mounting Ears, Natural 1.57mm Diameter Standard .062" Pin and Socket Plug	<u>3062041</u>
Housing, 4 Circuits, with Standard Mounting Ears 1.57mm Diameter Standard .062" Pin and Socket Plug	<u>3062042</u>

Housing, 4 Circuits,  
without Mounting  
Ears, Natural  
1.57mm Diameter 3062044  
Standard .062" Pin  
and Socket Plug  
Housing, Dual Row,  
without Mounting  
Ears, PA Polyamide  
Nylon 6/6, UL 94V-2,  
4 Circuits, Natural  
1.57mm Diameter 3062061  
Standard .062" Pin  
and Socket Plug  
Housing, 6 Circuits,  
without Mounting  
Ears, Natural  
1.57mm Diameter 3062092  
Standard .062" Pin  
and Socket Plug  
Housing, 9 Circuits,  
without Mounting  
Ears, Natural  
1.57mm Diameter 3062121  
Standard .062"  
Pin and Socket  
Plug Housing, 12  
Circuits, with Pre-  
bent Mounting Ears,  
Natural  
1.57mm Diameter 3062122  
Standard .062" Pin  
and Socket Plug  
Housing, 12 Circuits,  
without Mounting  
Ears, Natural  
1.57mm Diameter 3066023  
Standard .062"  
Pin and Socket  
Receptacle Housing,  
2 Circuits, without  
Mounting Ears, Black  
1.57mm Diameter 3066062  
Standard .062"  
Pin and Socket  
Receptacle Housing,  
6 Circuits, without  
Mounting Ears, Black  
1.57mm Diameter 3067023  
Standard .062" Pin  
and Socket Plug  
Housing, Black, 2  
Circuits, without  
Mounting Ears, Black  
1.57mm Diameter 3067044  
Standard .062" Pin  
and Socket Plug  
Housing, Dual Row,  
without Mounting  
Ears, PA Polyamide  
Nylon 6/6, UL 94V-2,  
4 Circuits, Black  
1.57mm Diameter 3067061  
Standard .062" Pin  
and Socket Plug

Housing, 6 Circuits,  
without Mounting  
Ears, Black  
2.36mm Diameter 3091011  
Standard .093"  
Pin and Socket  
Receptacle Housing,  
1 Circuit, Friction  
Lock, Natural  
2.36mm Diameter 3091022  
Standard .093"  
Pin and Socket  
Receptacle Housing,  
2 Circuits, without  
Mounting Ears, with  
Ramps, Natural  
2.36mm Diameter 3091027  
Standard .093"  
Pin and Socket  
Receptacle Housing,  
2 Circuits, with Pre-  
bent Mounting Ears,  
with Ramps, Natural  
2.36mm Diameter 3091030  
Standard Receptacle  
Housing, 3 Circuit,  
Natural  
2.36mm Diameter 3091031  
Standard .093"  
Pin and Socket  
Receptacle Housing,  
3 Circuits, Single  
Row, Natural  
2.36mm Diameter 3091032  
Standard .093"  
Pin and Socket  
Receptacle Housing,  
3 Circuits, Single  
Row, Natural  
2.36mm Diameter 3091033  
Standard .093"  
Pin and Socket  
Receptacle Housing,  
3 Circuits, Single  
Row, Free-Hanging,  
without Passive Lock  
Ramps, Natural  
2.36mm Diameter 3091041  
Standard .093"  
Pin and Socket  
Receptacle Housing,  
4 Circuits, Single  
Row, Natural  
2.36mm Diameter 3091042  
Standard .093"  
Pin and Socket  
Receptacle Housing,  
4 Circuits, Single  
Row, Natural  
2.36mm Diameter 3091049  
Standard .093"  
Pin and Socket  
Receptacle Housing,  
4 Circuits, Dual Row,

without Mounting  
Ears, Natural  
2.36mm Diameter 3091061  
Standard .093"  
Pin and Socket  
Receptacle Housing,  
6 Circuits, Dual Row,  
Natural  
2.36mm Diameter 3091062  
Standard .093"  
Pin and Socket  
Receptacle Housing,  
6 Circuits, Dual Row,  
Natural  
2.36mm Diameter 3091063  
Standard .093"  
Pin and Socket  
Receptacle Housing,  
6 Circuits, Dual Row,  
without Panel Mount  
Ears, without Friction  
Lock Ramp  
2.36mm Diameter 3091064  
Standard .093"  
Pin and Socket  
Receptacle Housing,  
6 Circuits, Dual Row,  
Natural  
2.36mm Diameter 3091081  
Standard .093"  
Pin and Socket  
Receptacle Housing,  
3 Circuits, Single  
Row, Natural  
2.36mm Diameter 3091091  
Standard .093"  
Pin and Socket  
Receptacle  
Housings, 9 Circuits,  
3 Rows, Natural  
2.36mm Diameter 3091092  
Standard .093"  
Pin and Socket  
Receptacle  
Housings, 9 Circuits,  
3 Rows, with Panel  
Mount Ears, without  
Passive Lock Ramp  
2.36mm Diameter 3091093  
Standard .093"  
Pin and Socket  
Receptacle  
Housings, 9 Circuits,  
3 Rows, without  
Panel Mount Ears,  
without Passive Lock  
Ramp  
2.36mm Diameter 3091094  
Standard .093"  
Pin and Socket  
Receptacle  
Housings, 9 Circuits,  
3 Rows, Natural  
2.36mm Diameter 3091121  
Standard .093"

Pin and Socket  
Receptacle Housing,  
12 Circuits, 3 Rows,  
Panel Mountable,  
without Passive  
Locking Ramps  
2.36mm Diameter 3091125  
Standard .093"

Pin and Socket  
Receptacle Housing,  
12 Circuits, 3 Rows,  
Natural  
2.36mm Diameter 3091126  
Standard .093"

Pin and Socket  
Receptacle Housing,  
12 Circuits, 3 Rows,  
Natural  
2.36mm Diameter 3091151  
Standard .093"

Pin and Socket  
Receptacle Housing,  
15 Circuits, 3 Rows,  
with Pre-Bent  
Mounting Ears,  
without Lock Ramps  
2.36mm Diameter 3091152  
Standard .093"

Pin and Socket  
Receptacle Housing,  
15 Circuits, 3 Rows,  
without Mounting  
Ears, without Lock  
Ramps  
2.36mm Diameter 3091153  
Standard .093"

Pin and Socket  
Receptacle Housing,  
15 Circuits, 3 Rows,  
with Pre-bent  
Mounting Ears, with  
Lock Ramps  
2.36mm Diameter 3091157  
Standard .093"

Pin and Socket  
Receptacle Housing,  
15 Circuits, 3 Rows,  
without Mounting  
Ears, with Lock  
Ramps  
2.36mm Diameter 3091161  
Standard .093"

Pin and Socket  
Receptacle Housing  
without Mounting  
Ears, Positive Lock,  
2 Circuits  
2.36mm Diameter 3092011  
Standard .093" Pin  
and Socket Plug  
Housing, 1 Circuit,  
Friction Lock, Natural

2.36mm Diameter 3092021  
Standard .093" Pin  
and Socket Plug

Housing, 2 Circuits, with Standard Mounting Ears, Natural 2.36mm Diameter Standard .093" Pin and Socket Plug	<u>3092022</u>
Housing, 2 Circuits, without Mounting Ears, Natural 2.36mm Diameter Standard .093" Pin and Socket Plug	<u>3092031</u>
Housing, 3 Circuits, Single Row, Natural 2.36mm Diameter Standard .093" Pin and Socket Plug	<u>3092032</u>
Housing, 3 Circuits, Single Row, Natural 2.36mm Diameter Standard .093" Pin and Socket Plug	<u>3092041</u>
Housing, 4 Circuits, Single Row 2.36mm Diameter Standard .093" Pin and Socket Plug	<u>3092042</u>
Housing, 4 Circuits, Single Row 2.36mm Diameter Standard .093" Pin and Socket Plug	<u>3092049</u>
Housing, 4 Circuits, Dual Row, without Mounting Ears, Natural 2.36mm Diameter Standard .093" Pin and Socket Plug	<u>3092061</u>
Housing, 6 Circuits, Dual Row 2.36mm Diameter Standard .093" Pin and Socket Plug	<u>3092062</u>
Housing, 6 Circuits, Dual Row 2.36mm Diameter Standard .093" Pin and Socket Plug	<u>3092092</u>
Housings, 9 Circuits, 3 Rows 2.36mm Diameter Standard .093" Pin and Socket Plug	<u>3092121</u>
Housing, 12 Circuits, 3 Rows 2.36mm Diameter Standard .093" Pin and Socket Plug	<u>3092122</u>
Housing, 12 Circuits, 3 Rows 2.36mm Diameter Standard .093" Pin and Socket Plug	<u>3092151</u>

Housing, 15 Circuits,  
3 Rows, without  
Mounting Ears, with  
Pull Tabs, without  
Lock Windows  
2.36mm Diameter 3092159  
Standard .093" Pin  
and Socket Plug  
Housing, 15 Circuits,  
3 Rows, with Pre-  
Bent Mounting Ears,  
without Pull Tabs,  
with Lock Windows  
2.36mm Diameter 3092161  
Standard .093" Pin  
and Socket Plug  
Housing without  
Mounting Ears,  
Positive Lock, 2  
Circuits  
2.36mm Diameter 3096021  
Standard .093"  
Pin and Socket  
Receptacle Housing,  
2 Circuits, with Pre-  
bent Mounting Ears,  
with Ramps, Black  
2.36mm Diameter 3097022  
Standard .093" Pin  
and Socket Plug  
Housing, 2 Circuits,  
without Mounting  
Ears, Black  
2.36mm Diameter 3097024  
Standard .093" Pin  
and Socket Plug  
Housing, 2 Circuits,  
without Mounting  
Ears, Red  
2.36mm Diameter 3097032  
Standard .093" Pin  
and Socket Plug  
Housing, 3 Circuits,  
Single Row, Black  
3.18mm Diameter, 3121022  
HCS125, Pin and  
Socket Receptacle  
Housing, 2 Circuits,  
Single Row, with and  
without Panel Mount  
Ears  
3.18mm Diameter, 3121026  
HCS125, Pin and  
Socket Receptacle  
Housing, Single  
Row, 2 Circuits,  
Natural (Translucent)  
3.18mm Diameter, 3121036  
HCS125, Pin and  
Socket Receptacle  
Housing, Single  
Row, without Panel  
Mount Ears, 3  
Circuits, Natural,  
Nylon 94V-2

3.18mm Diameter, 3121046  
HCS125, Pin and  
Socket Receptacle  
Housing, Single  
Row, 4 Circuits,  
Natural (Translucent)

3.18mm Diameter, 3122022  
HCS125, Pin  
and Socket Plug  
Housing, 2 Circuits,  
Single Row, with and  
without Panel Mount  
Ears

3.18mm Diameter, 3122025  
HCS125, Pin  
and Socket Plug  
Housing, Single  
Row, with Panel  
Mount Ears, 2  
Circuits, Natural  
(Translucent)

3.18mm Diameter, 3122026  
HCS125, Pin  
and Socket Plug  
Housing, Single  
Row, without Panel  
Mount Ears, 2  
Circuits, Natural  
(Translucent)

3.18mm Diameter, 3122035  
HCS125, Pin  
and Socket Plug  
Housing, Single  
Row, with Panel  
Mount Ears, 3  
Circuits, Natural,  
Nylon 94V-2

3.18mm Diameter, 3122036  
HCS125, Pin  
and Socket Plug  
Housing, Single  
Row, without Panel  
Mount Ears, 3  
Circuits, Natural,  
Nylon 94V-2

3.18mm Diameter, 3122045  
HCS125, Pin  
and Socket Plug  
Housing, Single  
Row, with Panel  
Mount Ears, 4  
Circuits, Natural  
(Translucent)

3.18mm Diameter, 3122046  
HCS125, Pin  
and Socket Plug  
Housing, Single  
Row, without Panel  
Mount Ears, 4  
Circuits, Natural  
(Translucent)

Flat Blade Crimp 5060117  
Terminal, Series  
1508, Female, With  
Tin (Sn) Plated



Brass Contact, 14-18  
AWG (or 18 AWG  
Double Crimp), Reel  
Packaged  
Flat Blade Crimp 5060301  
Terminal, Series  
2176, Female, With  
Tin (Sn) Plated Brass  
Contact, With Detent,  
14-22 AWG (or 18  
AWG Double Crimp),  
Reel Packaged  
Crimp Terminal 5121004  
2482, 10-16 AWG,  
Reel  
Crimp Terminal 5121005  
2482, 10-16 AWG,  
Bag  
Crimp Terminal 5121006  
2482, 10-16 AWG,  
Reel  
Crimp Terminal 5121008  
2482, 10-16 AWG,  
Reel  
Crimp Terminal 5121104  
6482, 14-18 AWG,  
Reel  
Flat Blade Appliance 6021103  
Motor Switch Crimp  
Housing, 10 Circuits  
Flat Blade Appliance 6022030  
Water Valve Crimp  
Housing, 3 Circuit,  
Natural  
Flat Blade Appliance 6023042  
Defrost Timer Crimp  
Housing, 4 Circuit, 4  
Circuits  
Flat Blade Appliance 6023103  
Motor Switch Crimp  
Housing, 10 Circuit,  
10 Circuits  
Flat Blade Appliance 6023104  
Dryer Motor Crimp  
Housing, 10 Circuit  
KK Crimp Terminal, 8300109  
Series 1799, Female,  
with Tin (Sn) Plated  
Brass Contact, 18-24  
AWG, Chain on Reel  
KK 396 Crimp 8500008  
Terminal 8818, 18-22  
AWG, Reel, Brass  
Tin (Sn)  
KK 156 TERMINAL 8500015  
CRIMP 18-24 AWG  
TIN  
KK 396 Crimp 8500023  
Terminal 8818, 18-22  
AWG, Bag, Brass Tin  
(Sn)  
KK 156 TERM 8500024  
CRP 18-20 AWG  
TRIFURCON TIN

KK 254 Cat Ear Crimp Terminal 4809, 22-30 AWG, Hot Tin Dip, 2.20mm Insulation Crimp, Reel	<u>8500030</u>
KK 254 Cat Ear Crimp Terminal 4809, 22-30 AWG, Hot Tin Dip, Reel	<u>8500031</u>
KK 254 Cat Ear Crimp Terminal 4809, 22-30 AWG, Hot Tin Dip, Bag	<u>8500032</u>
KK 396 Crimp Terminal 2478, 18-24 AWG, Reel, Brass Tin (Sn)	<u>8500105</u>
KK 396 Crimp Terminal 2478, 18-24 AWG, Bag, Brass Tin (Sn)	<u>8500106</u>
KK 396 Crimp Terminal 2578, 22-26 AWG, Reel, Brass, 2.540µm Tin (Sn)	<u>8500107</u>
KK 396 Crimp Terminal 2578, 22-26 AWG, Bag, Brass, 2.540µm Tin (Sn)	<u>8500108</u>
KK Crimp Terminal, Series 2477, Humpback, with Tin (Sn) Plated Brass Contact, 18-24 AWG, Reel	<u>8500109</u>
KK Crimp Terminal, Series 2477, Humpback, with Tin (Sn) Plated Brass Contact, 18-24 AWG, Loose	<u>8500110</u>
KK 396 Crimp Terminal 2578, 22-26 AWG, Reel, Brass, 7.6µm Tin (Sn)	<u>8500111</u>
KK 156 TERMINAL CRIMP 22-26 AWG TIN	<u>8500112</u>
KK 254 Crimp Terminal, 22-30 AWG, Hot Tin (Sn) Dip Plating	<u>8500113</u>
KK 254 Crimp Terminal, 22-30 AWG, Bag, Hot Tin (Sn) Dip Plating	<u>8500114</u>
3.96mm Pitch KK Crimp Terminal 2878, 18-20 AWG, Reel, Brass, Tin (Sn), Bifurcated	<u>8500115</u>
3.96mm Pitch KK Crimp Terminal 2878, 18-20 AWG,	<u>8500116</u>

Bag, Brass, Tin (Sn),  
 Bifurcated  
 KK 396 Crimp 8500119  
 Terminal 2478, 18-24  
 AWG, Reel, Brass,  
 3.8µm Tin (Sn)  
 KK 396 Crimp 8500120  
 Terminal 2478, 18-24  
 AWG, Bag, Brass,  
 3.8µm Tin (Sn)  
 KK 396 Crimp 8500133  
 Terminal 2578,  
 22-26 AWG, Reel,  
 Phosphor Bronze,  
 2.540µm Tin (Sn)  
 KK 396 Crimp 8500134  
 Terminal 2578,  
 22-26 AWG, Bag,  
 Phosphor Bronze,  
 2.540µm Tin(Sn)  
 KK 254 Crimp 8500135  
 Terminal 4809, 22-30  
 AWG, Hot Tin Dip,  
 Reel  
 KK 254 Crimp 8500136  
 Terminal 4809, 22-30  
 AWG, Tin, Bag  
 KK 254 Crimp 8500159  
 Terminal, 22-30  
 AWG, Reel, Tin (Sn)  
 Plating, Nickel (Ni)  
 Under Plating  
 KK 254 Crimp 8500160  
 Terminal, 22-30  
 AWG, Bag, Tin (Sn)  
 Plating, Nickel (Ni)  
 Under Plating  
 KK Trifurcon Crimp 8500183  
 Terminal 7258, 22-26  
 AWG, Reel, Brass  
 Tin (Sn)  
 KK Trifurcon Crimp 8500185  
 Terminal 7258, 22-26  
 AWG, Bag, Brass Tin  
 (Sn)  
 KK Trifurcon Crimp 8500187  
 Terminal 6838, 18-20  
 AWG, Reel, Brass  
 Tin (Sn)  
 KK Trifurcon Crimp 8500189  
 Terminal 6838, 18-20  
 AWG, Bag, Brass Tin  
 (Sn)  
 KK 156 TERM 8500251  
 CRP 18-20 AWG  
 TRIFURCON TIN  
 KK 396 Crimp 8500281  
 Terminal 2478,  
 18-24 AWG, Reel,  
 Phosphor Bronze,  
 3.87µm Tin (Sn)  
 KK 156 TERM 8500283  
 CRP 22-26 AWG  
 TRIFURCON TIN

KK 100 Crp Term	<u>8510101</u>
Std 22-30 Awg Unplt	
KK 254 Crimp	<u>8510108</u>
Terminal, 22-30	
AWG, Reel, Tin (Sn),	
Nickel (Ni) Under	
Plating	
KK 156 TERMINAL	<u>8510109</u>
CRIMP 1820 AWG	
KK 396 Crimp	<u>8520071</u>
Terminal 2478,	
18-24 AWG, Reel,	
Phosphor Bronze,	
Tin (Sn)	
KK 396 Crimp	<u>8520072</u>
Terminal 2478,	
18-24 AWG, Bag,	
Phosphor Bronze,	
Tin (Sn)	
KK 254 Crimp	<u>8520101</u>
Terminal 6459,	
22-30 AWG, Reel,	
Phosphor Bronze Tin	
(Sn)	
KK Trifurcon Crimp	<u>8520112</u>
Terminal 6838,	
18-20 AWG, Reel,	
Phosphor Bronze	
Tin(Sn)	
KK Trifurcon Crimp	<u>8520113</u>
Terminal 6838,	
18-20 AWG, Bag,	
Phosphor Bronze Tin	
(Sn)	
KK .100 CRIMP	<u>8520118</u>
TERMINAL 100MI	
MATTE TIN	
KK 254 Crimp	<u>8520123</u>
Terminal 6459,	
22-30 AWG, Bag,	
Phosphor Bronze Tin	
(Sn)	
KK Trifurcon Crimp	<u>8520124</u>
Terminal 7258,	
22-26 AWG, Reel,	
Phosphor Bronze	
Tin(Sn)	
KK Trifurcon Crimp	<u>8520125</u>
Terminal 7258,	
22-26 AWG, Bag,	
Phosphor Bronze Tin	
(Sn)	
3.96mm Pitch KK	<u>8520126</u>
Crimp Terminal	
2878, 18-20 AWG,	
Reel, Phosphor	
Bronze, Tin (Sn),	
Bifurcated	
3.96mm Pitch KK	<u>8520127</u>
Crimp Terminal	
2878, 18-20 AWG,	
Bag, Phosphor	
Bronze, Tin (Sn),	
Bifurcated	

KK 396 Crimp Terminal 8818, 18-22 AWG, Reel, Phosphor Bronze Tin (Sn)	<u>8520131</u>
KK 396 Crimp Terminal 8818, 18-22 AWG, Bag, Phosphor Bronze Tin (Sn)	<u>8520132</u>
KK 396 Crimp Terminal 2478, 18-24 AWG, Reel, Phosphor Bronze, 5.0µm Tin (Sn)	<u>8520811</u>
KK 396 Crimp Terminal 2478, 18-24 AWG, Bag, Phosphor Bronze, 5.0µm Tin (Sn)	<u>8520812</u>
KK 156 TERMINAL CRIMP 18-24 AWG	<u>8530811</u>
KK CRIMP TERM UNPLT LSE PB2478999L	<u>8530812</u>
KK 156 TERMINAL CRIMP 1820 AWG	<u>8530814</u>
KK 156 TERM CRP 18-20 AWG TRIFURCON	<u>8531101</u>
KK 254 Crimp Terminal, 22-30 AWG, Reel, Selective Gold (Au), Nickel (Ni) Under Plating	<u>8550101</u>
KK 254 Crimp Terminal, 22-30 AWG, Bag, Selective Gold (Au), Nickel (Ni) Under Plating	<u>8550102</u>
KK 396 Crimp Terminal 2478, 18-24 AWG, Reel, Brass, 0.38µm Selective Gold (Au)	<u>8550103</u>
KK 396 Crimp Terminal 2478, 18-24 AWG, Bag, Brass, 0.38µm Selective Gold (Au)	<u>8550104</u>
KK 396 Crimp Terminal 2578, 22-26 AWG, Reel, Brass, 0.38µm Selective Gold (Au)	<u>8550105</u>
KK 396 Crimp Terminal 2578, 22-26 AWG, Bag, Brass, 0.38µm Selective Gold(Au)	<u>8550106</u>
KK 254 Crimp Terminal 4809, 22-30 AWG, Selective Gold (Au), Reel	<u>8550110</u>

KK 254 Crimp 8550111  
Terminal 4809, 22-30  
AWG, Selective Gold  
(Au), Bag

KK 254 Cat Ear 8550112  
Crimp Terminal  
4809, 22-30 AWG,  
Selective Gold, Reel

KK 396 Crimp 8550123  
Terminal 2578, 22-26  
AWG, Reel, Brass,  
0.76 $\mu$ m Select Gold  
(Au) over Gold Flash

KK High Pressure 8550124  
Crimp Terminal  
7879, 22-30 AWG,  
Reel Selective Gold  
(Au)

KK High Pressure 8550129  
Crimp Terminal  
7879, 22-30 AWG,  
Bag Selective Gold  
(Au)

KK 254 Crimp 8550130  
Terminal, 22-30  
AWG, Reel,  
Selective Gold (Au),  
Nickel (Ni) Under  
Plating

KK 254 Crimp 8550131  
Terminal, 22-30  
AWG, Bag, Selective  
Gold (Au), Nickel (Ni)  
Under Plating

KK 396 Crimp 8550133  
Terminal 2478, 18-24  
AWG, Reel, Brass,  
0.76 $\mu$ m Gold (Au)

KK 396 Crimp 8550134  
Terminal 2478, 18-24  
AWG, Bag, Brass,  
0.76 $\mu$ m Gold (Au)

KK 396 Crimp 8550137  
Terminal 2578, 22-26  
AWG, Left Payoff  
Reel, Brass, 0.76 $\mu$ m  
Select Gold (Au)  
over Gold Flash

KK 156 TERMINAL 8550138  
CRIMP 1820 AWG  
GOLD

KK 396 Crimp 8560105  
Terminal 2478, 18-24  
AWG, Reel, Brass,  
0.51 $\mu$ m Selective  
Gold (Au)

KK 396 Crimp 8560106  
Terminal 2478, 18-24  
AWG, Bag, Brass,  
0.51 $\mu$ m Selective  
Gold (Au)

KK 396 Crimp 8560107  
Terminal 2578, 22-26  
AWG, Reel, Brass,

0.51µm Select Gold  
 (Au) over Gold Flash  
 KK 396 Crimp 8560108  
 Terminal 2578, 22-26  
 AWG, Bag, Brass,  
 0.51µm Select Gold  
 (Au) over Gold Flash  
 KK 254 Crimp 8560109  
 Terminal, 22-30  
 AWG, Reel, Gold  
 (Au), Nickel (Ni)  
 Under Plating  
 KK 254 Crimp 8560110  
 Terminal, 22-30  
 AWG, Bag, Gold  
 (Au), Nickel (Ni)  
 Under Plating  
 KK Crimp Terminal, 8560113  
 Series 2477,  
 Humpback, with  
 Overall Gold (Au)  
 Plated Brass  
 Contact, 18-24 AWG,  
 Reel  
 KK Crimp Terminal, 8560114  
 Series 2477,  
 Humpback, with  
 Overall Gold (Au)  
 Plated Brass  
 Contact, 18-24 AWG,  
 Loose  
 KK 254 Crimp 8560115  
 Terminal 4809, 22-30  
 AWG, Selective Gold  
 (Au), Bag  
 KK 254 Crimp 8560120  
 Terminal 4809, 22-30  
 AWG, Selective Gold  
 (Au), Reel  
 KK Trifurcon Crimp 8560123  
 Terminal 7258,  
 22-26 AWG, Reel,  
 Phosphor Bronze  
 Gold (Au)  
 KK Trifurcon Crimp 8560124  
 Terminal 7258,  
 22-26 AWG, Bag,  
 Phosphor Bronze  
 Gold(Au)  
 KK 156 TERMINAL 8580103  
 CRIMP 18-24 AWG  
 GOLD  
 KK 156 TERMINAL 8580104  
 CRIMP 18-24 AWG  
 GOLD  
 KK 156 TERM 8580105  
 CRP 18-20 AWG  
 TRIFURCON GOLD  
 KK 156 TERM 8580106  
 CRP 18-20 AWG  
 TRIFURCON GOLD  
 KK Trifurcon Crimp 8580110  
 Terminal 6438,  
 18-20 AWG, Reel,

Phosphor Bronze Selective Gold (Au) KK Trifurcon Crimp Terminal 6438, 18-20 AWG, Bag, Phosphor Bronze Selective Gold (Au)	<u>8580111</u>
KK 396 Crimp Terminal 2478, 18-24 AWG, Reel, Phosphor Bronze, 0.76µm Gold (Au)	<u>8580114</u>
KK 396 Crimp Terminal 2478, 18-24 AWG, Bag, Phosphor Bronze, 0.76µm Gold (Au)	<u>8580115</u>
KK 156 TERM CRP 18-20 AWG TRIFURCON GOLD	<u>8580118</u>
KK 396 Crimp Terminal 2478, 18-24 AWG, Reel, Phosphor Bronze, 0.51µm Selective Gold (Au)	<u>8580121</u>
KK 396 Crimp Terminal 2478, 18-24 AWG, Bag, Phosphor Bronze, 0.51µm Selective Gold (Au)	<u>8580122</u>
KK 396 Crimp Terminal 2578, 22-26 AWG, Reel, Phosphor Bronze, 0.51µm Selective Gold (Au)	<u>8580125</u>
KK 396 Crimp Terminal 2578, 22-26 AWG, Bag, Phosphor Bronze, 0.51µm Selective Gold (Au)	<u>8580126</u>
3.96mm Pitch KK Crimp Terminal 2878, 18-20 AWG, Reel, Phosphor Bronze, 0.51µm Selective Gold (Au), Bifurcated	<u>8580127</u>
3.96mm Pitch KK Crimp Terminal 2878, 18-20 AWG, Bag, Phosphor Bronze, 0.51µm Selective Gold (Au), Bifurcated	<u>8580128</u>
KK 396 Crimp Terminal 8818, 18-22 AWG, Reel, Phosphor Bronze Selective Gold (Au)	<u>8580135</u>
KK 396 Crimp Terminal 8818,	<u>8580136</u>



18-22 AWG, Bag, Phosphor Bronze Selective Gold (Au) KK Trifurcon Crimp Terminal 6438,	8580187
18-20 AWG, Reel, Phosphor Bronze Gold (Au) KK Trifurcon Crimp Terminal 6438,	8580189
18-20 AWG, Bag, Phosphor Bronze Gold(Au) KK 396 Crimp Terminal 2578,	8600003
22-26 AWG, Reel, Phosphor Bronze, 3.810µm Tin (Sn) KK 396 Crimp Terminal 2578,	8600004
22-26 AWG, Bag, Phosphor Bronze, 3.810µm Tin (Sn) KK 254 Crimp Terminal 8088, 22-30	8650105
AWG, Gold/Nickel, Reel KK 396 Crimp Terminal 2578,	8650110
22-26 AWG, Reel, Phosphor Bronze, 0.76µm Select Gold (Au) over Gold Flash KK 396 Crimp Terminal 2478,	8650114
18-24 AWG, Reel, Phosphor Bronze, 0.38µm Selective Gold (Au) KK 396 Crimp Terminal 2478,	8650115
18-24 AWG, Bag, Phosphor Bronze, 0.38µm Selective Gold (Au) KK 396 Crimp Terminal 2578,	8650116
22-26 AWG, Reel, Phosphor Bronze, 0.38µm Selective Gold (Au) KK 396 Crimp Terminal 2578,	8650117
22-26 AWG, Bag, Phosphor Bronze, 0.38µm Selective Gold (Au) 3.96mm Pitch KK Crimp Terminal 2878, 18-20 AWG,	8650118
Reel, Phosphor Bronze, 0.38µm Selective Gold (Au), Bifurcated	

3.96mm Pitch KK Crimp Terminal 2878, 18-20 AWG, Bag, Phosphor Bronze, 0.38µm Selective Gold (Au), Bifurcated	<u>8650119</u>
KK Trifurcon Crimp Terminal 7258, 22-26 AWG, Reel, Phosphor Bronze Selective Gold (Au)	<u>8650121</u>
KK Trifurcon Crimp Terminal 7258, 22-26 AWG, Bag, Phosphor Bronze Selective Gold (Au)	<u>8650122</u>
KK 396 Crimp Terminal 8818, 18-22 AWG, Reel, Phosphor Bronze Selective Gold (Au)	<u>8650128</u>
KK 396 Crimp Terminal 8818, 18-22 AWG, Bag, Phosphor Bronze Selective Gold (Au)	<u>8650129</u>
KK 100 Crp Term Std 22-30 Awg SGold	<u>8650801</u>
KK 254 Cat Ear Crimp Terminal 41572, Reel Tin (Sn)	<u>8650804</u>
KK 254 Cat Ear Crimp Terminal 41572, Bag Tin (Sn)	<u>8650805</u>
KK 100 Crp Term Std 22-30 Awg SGold	<u>8650811</u>
KK 100 Crp Term Std 22-30 Awg SGold	<u>8650812</u>
KK 254 Crimp Terminal 6459, 22-30 AWG, Reel, Phosphor Bronze Gold (Au)	<u>8650813</u>
KK 254 Crimp Terminal 6459, 22-30 AWG, Bag, Phosphor Bronze Gold (Au)	<u>8650814</u>
KK 254 Crimp Terminal 6459, 22-30 AWG, Reel, Phosphor Bronze Selective Gold (Au)	<u>8650815</u>
KK 254 Crimp Terminal 6459, 22-30 AWG, Bag, Phosphor Bronze Selective Gold (Au)	<u>8650816</u>
KK 100 Crp Term Std 22-30 Awg SGold	<u>8650817</u>

4.80mm Pitch Crimp 8700001  
Terminal, Female,  
Reel  
4.80mm Pitch Crimp 8700002  
Terminal, Male, Reel  
3.96 and 5.08mm 8700012  
Pitch KK Cat Ear  
Crimp Terminal,  
Female, 18-24 AWG,  
Reel  
KK Cat Ear Crimp 8700048  
Terminal 5159,  
22-28 AWG, Reel,  
Phosphor Bronze,  
Tin (Sn) Plating  
KK Cat Ear Crimp 8700049  
Terminal 5159,  
22-28 AWG, Bag,  
Phosphor Bronze,  
Tin (Sn) Plating  
SPOX Crimp 8700056  
Terminal 5103, 22-28  
AWG, Reel, Brass  
(CuZn), Chain Type  
SPOX Crimp 8700058  
Terminal 5103,  
22-28 AWG, Reel,  
Phosphor Bronze  
(CuSn), Chain Type  
KK Cat Ear Crimp 8700064  
Terminal 5159, 22-28  
AWG, Reel, Brass,  
Tin (Sn) over Copper  
Plating  
KK Cat Ear Crimp 8700069  
Terminal 5159, 22-28  
AWG, Bag, Brass,  
Tin (Sn) over Copper  
Plating  
2.50mm Pitch 8700102  
Mini-Latch Crimp  
Terminal, Male,  
Brass, Reel  
2.50mm Pitch 8700103  
Mini-Latch Crimp  
Terminal, Male,  
Brass, Bag  
Board-in Crimp 8700106  
Terminal , Series  
5298, Male, with Tin  
Insulation Diameter,  
Reel Packaged  
.062DIA CRIMP 8701011  
REC.  
.062DIA CRIMP PIN 8701013  
SPOX Crimp 8701030  
Terminal, 18-24  
AWG, Brass, Bag  
SPOX Crimp 8701031  
Terminal, 18-24  
AWG, Brass, Reel  
2.50mm Pitch, Mini- 8701039  
SPOX Female Crimp  
Terminal, 22-28  
AWG, Reel

2.50mm Pitch Mini-SPOX Crimp Terminal, 22-28 AWG, Bag	<u>8701040</u>
2.5 Low Profile Crimp Rec Chain W/ Plt	<u>8701047</u>
3.96mm Pitch KK Crimp Housing, Edge Card Connector, Single-Sided, Polarized, Positive Lock, with Probe Hole, 3 Circuits	<u>9011036</u>
.156 IDT ASSEMBLY 724103L	<u>9072031</u>
KK 396 PC Board Connector, Right Angle, Polyester Connector, 5.00µm Tin (Sn), 2 Circuits	<u>9481024</u>
KK 396 PC Board Connector, Right Angle, Polyester Connector, 5.00µm Tin (Sn), 3 Circuits	<u>9481034</u>
KK 396 PC Board Connector, Right Angle, Polyester Connector, 5.00µm Tin (Sn), 4 Circuits	<u>9481044</u>
KK 396 PC Board Connector, Right Angle, Polyester Connector, 5.00µm Tin (Sn), 5 Circuits	<u>9481054</u>
KK 396 PC Board Connector, Right Angle, Polyester Connector, 5.00µm Tin (Sn), 6 Circuits	<u>9481064</u>
KK 396 PC Board Connector, Right Angle, Polyester Connector, 5.00µm Tin (Sn), 7 Circuits	<u>9481074</u>
KK 396 PC Board Connector, Right Angle, Polyester Connector, 5.00µm Tin (Sn), 8 Circuits	<u>9481084</u>
KK 396 PC Board Connector, Right Angle, Polyester Connector, 5.00µm Tin (Sn), 9 Circuits	<u>9481094</u>
KK 396 PC Board Connector, Right Angle, Polyester Connector, 5.00µm Tin (Sn), 10 Circuits	<u>9481104</u>
KK 396 PC Board Connector, Top Entry, Polyester	<u>9481105</u>

Connector, Gold (Au)  
Selective, 10 Circuits  
KK 396 PC Board 9481114  
Connector, Right  
Angle, Polyester  
Connector, 5.00µm  
Tin (Sn), 11 Circuits  
KK 396 PC Board 9481124  
Connector, Right  
Angle, Polyester  
Connector, 5.00µm  
Tin (Sn), 12 Circuits  
KK 396 PC Board 9481134  
Connector, Right  
Angle, Polyester  
Connector, 5.00µm  
Tin (Sn), 13 Circuits  
KK 396 PC Board 9481144  
Connector, Right  
Angle, Polyester  
Connector, 5.00µm  
Tin (Sn), 14 Circuits  
KK 396 PC Board 9481154  
Connector, Right  
Angle, Polyester  
Connector, 5.00µm  
Tin (Sn), 15 Circuits  
KK 396 PC Board 9483024  
Connector, Bottom  
Entry, Polyester  
Connector, Gold (Au)  
Selective, 2 Circuits  
KK 396 PC Board 9483025  
Connector, Right  
Angle, Polyester  
Connector, Gold (Au)  
Selective, 2 Circuits  
KK 396 PC Board 9483026  
Connector, Top  
Entry, Polyester  
Connector, Gold (Au)  
Selective, 2 Circuits  
KK 396 PC Board 9483034  
Connector, Bottom  
Entry, Polyester  
Connector, Gold (Au)  
Selective, 3 Circuits  
KK 396 PC Board 9483035  
Connector, Right  
Angle, Polyester  
Connector, Gold (Au)  
Selective, 3 Circuits  
KK 396 PC Board 9483036  
Connector, Top  
Entry, Polyester  
Connector, Gold (Au)  
Selective, 3 Circuits  
KK 396 PC Board 9483044  
Connector, Bottom  
Entry, Polyester  
Connector, Gold (Au)  
Selective, 4 Circuits  
KK 396 PC Board 9483045  
Connector, Right-  
Angle, Polyester

Connector, Gold (Au)  
Selective, 4 Circuits  
KK 396 PC Board 9483046  
Connector, Top  
Entry, Polyester  
Connector, Gold (Au)  
Selective, 4 Circuits  
KK 396 PC Board 9483054  
Connector, Bottom  
Entry, Polyester  
Connector, Gold (Au)  
Selective, 5 Circuits  
KK 396 PC Board 9483055  
Connector, Right-  
Angle, Polyester  
Connector, Gold (Au)  
Selective, 5 Circuits  
KK 396 PC Board 9483056  
Connector, Top  
Entry, Polyester  
Connector, Gold (Au)  
Selective, 5 Circuits  
KK 396 PC Board 9483064  
Connector, Bottom  
Entry, Polyester  
Connector, Gold (Au)  
Selective, 6 Circuits  
KK 396 PC Board 9483065  
Connector, Right-  
Angle, Polyester  
Connector, Gold (Au)  
Selective, 6 Circuits  
KK 396 PC Board 9483066  
Connector, Top  
Entry, Polyester  
Connector, Gold (Au)  
Selective, 6 Circuits  
KK 396 PC Board 9483074  
Connector, Bottom  
Entry, Polyester  
Connector, Gold (Au)  
Selective, 7 Circuits  
KK 396 PC Board 9483075  
Connector, Right-  
Angle, Polyester  
Connector, Gold (Au)  
Selective, 7 Circuits  
KK 396 PC Board 9483076  
Connector, Top  
Entry, Polyester  
Connector, Gold (Au)  
Selective, 7 Circuits  
KK 396 PC Board 9483084  
Connector, Bottom  
Entry, Polyester  
Connector, Gold (Au)  
Selective, 8 Circuits  
KK 396 PC Board 9483085  
Connector, Right-  
Angle, Polyester  
Connector, Gold (Au)  
Selective, 8 Circuits  
KK 396 PC Board 9483086  
Connector, Top  
Entry, Polyester

Connector, Gold (Au)  
Selective, 8 Circuits  
KK 396 PC Board 9483094  
Connector, Bottom  
Entry, Polyester  
Connector, Gold (Au)  
Selective, 9 Circuits  
KK 396 PC Board 9483095  
Connector, Right-  
Angle, Polyester  
Connector, Gold (Au)  
Selective, 9 Circuits  
KK 396 PC Board 9483096  
Connector, Top  
Entry, Polyester  
Connector, Gold (Au)  
Selective, 9 Circuits  
KK 396 PC Board 9483104  
Connector, Bottom  
Entry, Polyester  
Connector, Gold (Au)  
Selective, 10 Circuits  
KK 396 PC Board 9483105  
Connector, Right-  
Angle, Polyester  
Connector, Gold (Au)  
Selective, 10 Circuits  
KK 396 PC Board 9483106  
Connector, Top  
Entry, Polyester  
Connector, Gold (Au)  
Selective, 10 Circuits  
KK 396 PC Board 9483114  
Connector, Bottom  
Entry, Polyester  
Connector, Gold (Au)  
Selective, 11 Circuits  
KK 396 PC Board 9483115  
Connector, Right-  
Angle, Polyester  
Connector, Gold (Au)  
Selective, 11 Circuits  
KK 396 PC Board 9483116  
Connector, Top  
Entry, Polyester  
Connector, Gold (Au)  
Selective, 11 Circuits  
KK 396 PC Board 9483124  
Connector, Bottom  
Entry, Polyester  
Connector, Gold (Au)  
Selective, 12 Circuits  
KK 396 PC Board 9483125  
Connector, Right-  
Angle, Polyester  
Connector, Gold (Au)  
Selective, 12 Circuits  
KK 396 PC Board 9483126  
Connector, Top  
Entry, Polyester  
Connector, Gold (Au)  
Selective, 12 Circuits  
KK 396 PC Board 9483134  
Connector, Bottom  
Entry, Polyester

Connector, Gold (Au)  
Selective, 13 Circuits  
KK 396 PC Board 9483135  
Connector, Right-  
Angle, Polyester  
Connector, Gold (Au)  
Selective, 13 Circuits  
KK 396 PC Board 9483136  
Connector, Top  
Entry, Polyester  
Connector, Gold (Au)  
Selective, 13 Circuits  
KK 396 PC Board 9483144  
Connector, Bottom  
Entry, Polyester  
Connector, Gold (Au)  
Selective, 14 Circuits  
KK 396 PC Board 9483145  
Connector, Right-  
Angle, Polyester  
Connector, Gold (Au)  
Selective, 14 Circuits  
KK 396 PC Board 9483146  
Connector, Top  
Entry, Polyester  
Connector, Gold (Au)  
Selective, 14 Circuits  
KK 396 PC Board 9483154  
Connector, Bottom  
Entry, Polyester  
Connector, Gold (Au)  
Selective, 15 Circuits  
KK 396 PC Board 9483155  
Connector, Right-  
Angle, Polyester  
Connector, Gold (Au)  
Selective, 15 Circuits  
KK 396 PC Board 9483156  
Connector, Top  
Entry, Polyester  
Connector, Gold (Au)  
Selective, 15 Circuits  
KK 396 PC Board 9484028  
Connector, Top  
Entry, Polyester  
Connector, 5.00µm  
Tin (Sn), 2 Circuits  
KK 396 PC Board 9484029  
Connector, Bottom  
Entry, Polyester  
Connector, 5.00µm  
Tin (Sn), 2 Circuits  
KK 396 PC Board 9484038  
Connector, Top  
Entry, Polyester  
Connector, 5.00µm  
Tin (Sn), 3 Circuits  
KK 396 PC Board 9484039  
Connector, Bottom  
Entry, Polyester  
Connector, 5.00µm  
Tin (Sn), 3 Circuits  
KK 396 PC Board 9484048  
Connector, Top  
Entry, Polyester



Connector, 5.00µm Tin (Sn), 4 Circuits KK 396 PC Board	<u>9484049</u>
Connector, Bottom Entry, Polyester	
Connector, 5.00µm Tin (Sn), 4 Circuits KK 396 PC Board	<u>9484058</u>
Connector, Top Entry, Polyester	
Connector, 5.00µm Tin (Sn), 5 Circuits KK 396 PC Board	<u>9484059</u>
Connector, Bottom Entry, Polyester	
Connector, 5.00µm Tin (Sn), 5 Circuits KK 396 PC Board	<u>9484068</u>
Connector, Top Entry, Polyester	
Connector, 5.00µm Tin (Sn), 6 Circuits KK 396 PC Board	<u>9484069</u>
Connector, Bottom Entry, Polyester	
Connector, 5.00µm Tin (Sn), 6 Circuits KK 396 PC Board	<u>9484078</u>
Connector, Top Entry, Polyester	
Connector, 5.00µm Tin (Sn), 7 Circuits KK 396 PC Board	<u>9484079</u>
Connector, Bottom Entry, Polyester	
Connector, 5.00µm Tin (Sn), 7 Circuits KK 396 PC Board	<u>9484088</u>
Connector, Top Entry, Polyester	
Connector, 5.00µm Tin (Sn), 8 Circuits KK 396 PC Board	<u>9484089</u>
Connector, Bottom Entry, Polyester	
Connector, 5.00µm Tin (Sn), 8 Circuits KK 396 PC Board	<u>9484098</u>
Connector, Top Entry, Polyester	
Connector, 5.00µm Tin (Sn), 9 Circuits KK 396 PC Board	<u>9484099</u>
Connector, Bottom Entry, Polyester	
Connector, 5.00µm Tin (Sn), 9 Circuits KK 396 PC Board	<u>9484108</u>
Connector, Top Entry, Polyester	
Connector, 5.00µm Tin (Sn), 10 Circuits KK 396 PC Board	<u>9484109</u>
Connector, Bottom Entry, Polyester	

Connector, 5.00µm  
Tin (Sn), 10 Circuits  
KK 396 PC Board 9484118  
Connector, Top  
Entry, Polyester  
Connector, 5.00µm  
Tin (Sn), 11 Circuits  
KK 396 PC Board 9484119  
Connector, Bottom  
Entry, Polyester  
Connector, 5.00µm  
Tin (Sn), 11 Circuits  
KK 396 PC Board 9484128  
Connector, Top  
Entry, Polyester  
Connector, 5.00µm  
Tin (Sn), 12 Circuits  
KK 396 PC Board 9484129  
Connector, Bottom  
Entry, Polyester  
Connector, 5.00µm  
Tin (Sn), 12 Circuits  
KK 396 PC Board 9484138  
Connector, Top  
Entry, Polyester  
Connector, 5.00µm  
Tin (Sn), 13 Circuits  
KK 396 PC Board 9484139  
Connector, Bottom  
Entry, Polyester  
Connector, 5.00µm  
Tin (Sn), 13 Circuits  
KK 396 PC Board 9484148  
Connector, Top  
Entry, Polyester  
Connector, 5.00µm  
Tin (Sn), 14 Circuits  
KK 396 PC Board 9484149  
Connector, Bottom  
Entry, Polyester  
Connector, 5.00µm  
Tin (Sn), 14 Circuits  
KK 396 PC Board 9484158  
Connector, Top  
Entry, Polyester  
Connector, 5.00µm  
Tin (Sn), 15 Circuits  
KK 396 PC Board 9484159  
Connector, Bottom  
Entry, Polyester  
Connector, 5.00µm  
Tin (Sn), 15 Circuits  
KK 156 PC Board 9485088  
Connector, Top  
Entry, Polyester  
Connector, Tin (Sn),  
8 Circuits  
3.96mm Pitch SPOX 9501021  
Crimp Housing,  
Female, with Friction  
Ramp, 2 Circuits,  
Natural  
3.96mm Pitch SPOX 9501023  
Crimp Housing,  
Female, with Friction

Ramp and Void, 2  
Circuits, Natural  
3.96mm Pitch SPOX [9501031](#)  
Crimp Housing,  
Female, with Friction  
Ramp, 3 Circuits,  
Natural  
3.96mm Pitch SPOX [9501033](#)  
Crimp Housing,  
Female, with Friction  
Ramp and Void, 3  
Circuits, Natural  
3.96mm Pitch SPOX [9501041](#)  
Crimp Housing,  
Female, with Friction  
Ramp, 4 Circuits,  
Natural  
3.96mm Pitch SPOX [9501043](#)  
Crimp Housing,  
Female, with Friction  
Ramp and Void, 4  
Circuits, Natural  
3.96mm Pitch SPOX [9501051](#)  
Crimp Housing,  
Female, with Friction  
Ramp, 5 Circuits,  
Natural  
3.96mm Pitch SPOX [9501053](#)  
Crimp Housing,  
Female, with Friction  
Ramp and Void, 5  
Circuits, Natural  
3.96mm Pitch SPOX [9501061](#)  
Crimp Housing,  
Female, with Friction  
Ramp, 6 Circuits,  
Natural  
3.96mm Pitch SPOX [9501063](#)  
Crimp Housing,  
Female, with Friction  
Ramp and Void, 6  
Circuits, Natural  
3.96mm Pitch SPOX [9501071](#)  
Crimp Housing,  
Female, with Friction  
Ramp, 7 Circuits,  
Natural  
3.96mm Pitch SPOX [9501073](#)  
Crimp Housing,  
Female, with Friction  
Ramp and Void, 7  
Circuits, Natural  
3.96mm Pitch SPOX [9501081](#)  
Crimp Housing,  
Female, with Friction  
Ramp, 8 Circuits,  
Natural  
3.96mm Pitch SPOX [9501083](#)  
Crimp Housing,  
Female, with Friction  
Ramp and Void, 8  
Circuits, Natural  
3.96mm Pitch SPOX [9501091](#)  
Crimp Housing,  
Female, with Friction

Ramp, 9 Circuits,  
Natural  
3.96mm Pitch SPOX [9501101](#)  
Crimp Housing,  
Female, with Friction  
Ramp, 10 Circuits,  
Natural  
3.96mm Pitch SPOX [9501103](#)  
Crimp Housing,  
Female, with Friction  
Ramp and Void, 10  
Circuits, Natural  
3.96mm Pitch SPOX [9501111](#)  
Crimp Housing,  
Female, with Friction  
Ramp, 11 Circuits,  
Natural  
3.96mm Pitch SPOX [9501113](#)  
Crimp Housing,  
Female, with Friction  
Ramp and Void, 11  
Circuits, Natural  
3.96mm Pitch SPOX [9501121](#)  
Crimp Housing,  
Female, with Friction  
Ramp, 12 Circuits,  
Natural  
KK 3.96mm Crimp [9503021](#)  
Terminal Housing,  
Friction Ramp, 2  
Circuits, Natural  
KK 3.96mm Crimp [9503031](#)  
Terminal Housing,  
Friction Ramp, 3  
Circuits, Natural  
KK 3.96mm Crimp [9503041](#)  
Terminal Housing,  
Friction Ramp, 4  
Circuits, Natural  
KK 3.96mm Crimp [9503051](#)  
Terminal Housing,  
Friction Ramp, 5  
Circuits, Natural  
KK 3.96mm Crimp [9503061](#)  
Terminal Housing,  
Friction Ramp, 6  
Circuits, Natural  
KK 3.96mm Crimp [9503071](#)  
Terminal Housing,  
Friction Ramp, 7  
Circuits, Natural  
KK 3.96mm Crimp [9503081](#)  
Terminal Housing,  
Friction Ramp, 8  
Circuits, Natural  
KK 3.96mm Crimp [9503091](#)  
Terminal Housing,  
Friction Ramp, 9  
Circuits, Natural  
KK 3.96mm Crimp [9503101](#)  
Terminal Housing,  
Friction Ramp, 10  
Circuits, Natural  
KK 3.96mm Crimp [9503111](#)  
Terminal Housing,

Friction Ramp, 11 Circuits, Natural KK 3.96mm Crimp Terminal Housing,	<u>9503121</u>
Friction Ramp, 12 Circuits, Natural KK 3.96mm Crimp Terminal Housing,	<u>9503131</u>
Friction Ramp, 13 Circuits, Natural KK 3.96mm Crimp Terminal Housing,	<u>9503141</u>
Friction Ramp, 14 Circuits, Natural KK 3.96mm Crimp Terminal Housing,	<u>9503151</u>
Friction Ramp, 15 Circuits, Natural KK 3.96mm Crimp Terminal Housing,	<u>9503161</u>
Friction Ramp, 16 Circuits, Natural	

This document was generated on 03/09/2020

**PLEASE CHECK [WWW.MOLEX.COM](http://WWW.MOLEX.COM) FOR LATEST PART INFORMATION**

# Mouser Electronics

Authorized Distributor

Click to View Pricing, Inventory, Delivery & Lifecycle Information:

[Molex:](#)

[63910-7700](#)