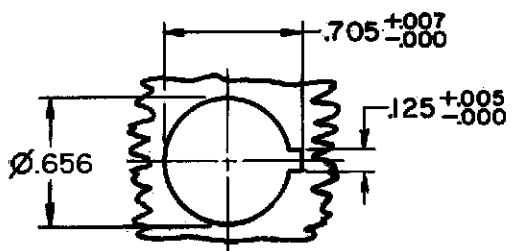


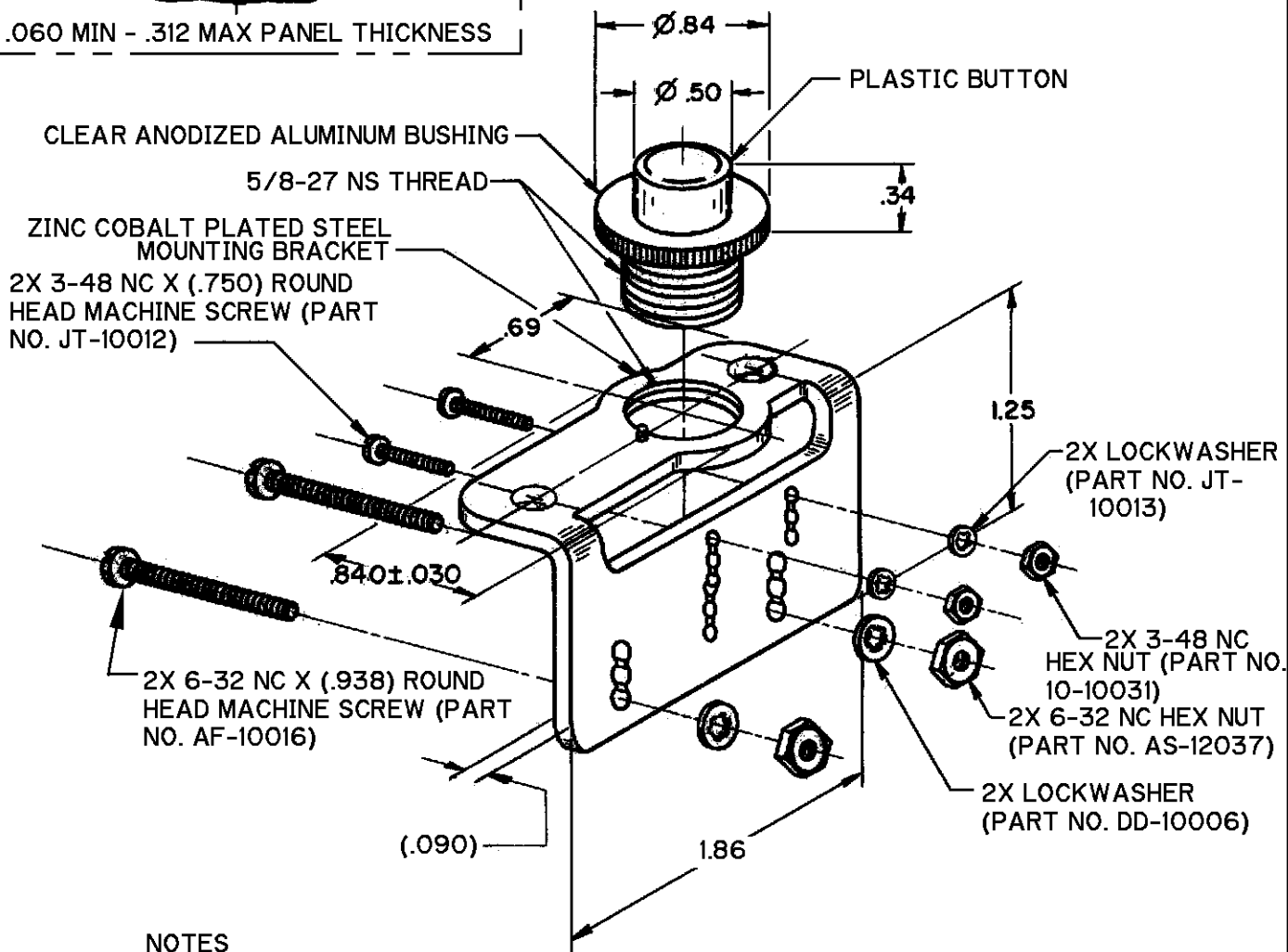
CATALOG LISTING
"12MA" SERIES CHART 1
PAGE 1 OF 1
ISSUE **M** 13
REVISIONS
A CO-94735 JJA 9 JUNE 99
B 200754 CSL 5 JUL 00
DRAWN
JJA 9 JUNE 99
CHECK
JAF 9 JUNE 99
CHECK
JAF
CHECK
JJA 9 JUNE 99
RELEASE NO. SR 7522
REPLACES

MOUNTING PANEL HOLE DETAIL



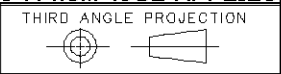
.060 MIN - .312 MAX PANEL THICKNESS

RELEASE STATUS	COMMENTS	PLASTIC BUTTON COLOR	ACTUATOR SWITCH CATALOG LISTING
SR 7522		BLACK	12MA1
SR 7522		RED	12MA2
SR 7522		GREEN	(A)
		BLACK	12MA11
		RED	12MA12
P-ORDER		YELLOW	12MA4



- NOTES**
- 1 - TWO COMPLETE SETS OF SCREWS, NUTS AND LOCKWASHERS FURNISHED UNASSEMBLED (CUSTOMER WILL SELECT PROPER SET)
 - 2 - THE VARIOUS PANEL THICKNESSES MAY BE ACCOMMODATED WITH THIS ACTUATOR BY PROPER SELECTION OF BASIC SWITCH MOUNTING HOLES
 - 3 - NOT SUITABLE FOR USE WITH 1TB1-3 TYPE BASIC
- ANSI Y14.5M-1982 APPLIES**

THIS DRAWING COVERS A PROPRIETARY ITEM AND IS THE PROPERTY OF MICRO SWITCH, A DIVISION OF HONEYWELL. THIS DRAWING IS NOT TO BE COPIED OR USED WITHOUT THE APPROVAL OF MICRO SWITCH.



CHARACTERISTICS	ELECTRICAL DATA	SCALE FULL	DO NOT SCALE PRINT
	CONTACT ARRANGEMENT		
		UNLESS OTHERWISE SPECIFIED TOLERANCES ARE	
		ONE PLACE (.0)	±.030
		TWO PLACE (.00)	±.015
		THREE PLACE (.000)	±.005
		ANGLES	±
		WEIGHT	

Mouser Electronics

Authorized Distributor

Click to View Pricing, Inventory, Delivery & Lifecycle Information:

[Honeywell:](#)

[12MA1](#) [12MA2](#)