

LOC A1	DIST —	REVISIONS					
		P	LTR	DESCRIPTION	DATE	DWN	APVD
ÄNDERUNGEN, DIE DEM TECHNISCHEN FORTSCHRITT DIENEN, BEHALTEN WIR UNS VOR		P		REVISED PER ECO-11-005301	02MAR11	RK	HMR

SIEHE ZEICHNUNG
826 467 BLATT 1 VON 2
(DIN A2)

VON DIESER ZEICHNUNG GIBT ES KEIN ORIGINAL


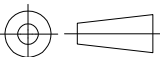
—	—	—
BESTELL-NR.	WERKSTOFF	OBERFLÄCHE FARBE

THIS DRAWING IS UNPUBLISHED.

RELEASED FOR PUBLICATION

ALL RIGHTS RESERVED.

COPYRIGHT — By —

DIMENSIONS: mm	DWN	—	MATERIAL	—	FINISH	—	
	CHK	—	 TE Connectivity				
TOLERANCES UNLESS OTHERWISE SPECIFIED:	APVD	—					
0 PLC ± -	PRODUCT SPEC	—	NAME AMPMODU II STIFTLAISTE 90DEG EINREIHIG				
1 PLC ± -	APPLICATION SPEC	—					
2 PLC ± -	WEIGHT	—	SIZE	CAGE CODE	DRAWING NO	RESTRICTED TO	
3 PLC ± -		—	A4	00779	C-826468	—	
4 PLC ± -			CUSTOMER DRAWING				SCALE
ANGLES ± -					SHEET	1 OF 1	
						REV	P

Mouser Electronics

Authorized Distributor

Click to View Pricing, Inventory, Delivery & Lifecycle Information:

[TE Connectivity:](#)

[826468-4](#)