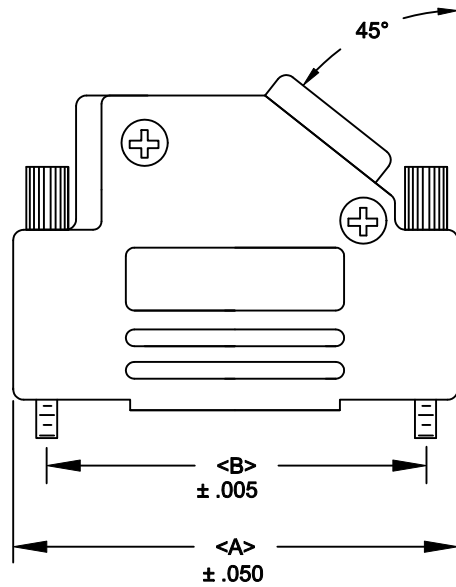


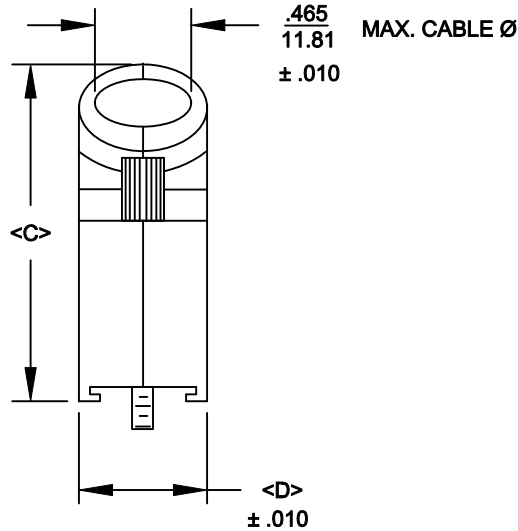
BACKSHELL KIT INCLUDES:

- (2) BACKSHELL HALVES
- (2) 4-40 THUMBSCREWS
- (2) HOUSING SCREWS & 2 NUTS
- (1) COMPRESSION RING - VARIOUS SIZES
 $\varnothing 0.157$ [4.0], $\varnothing 0.197$ [5.0], $\varnothing 0.276$ [7.0], $\varnothing 0.354$ [9.0]

NOTE: 9 POSITION HAS ONLY 1 THUMBSCREW
 (OPPOSITE CABLE ENTRY)



****NOTE: 3.0 IN/LBS IS
 RECOMMENDED TORQUE VALUE
 FOR HOUSING SCREWS/NUTS****




971-YYY-010R011

SERIES _____
 POSITIONS _____
 009 _____
 015 _____
 025 _____
 037 _____
 MATERIAL _____
 010 = PLASTIC _____
 COLOR: _____
 01 = BLACK _____
 PUT-UPS _____
 1 = KIT _____

POS.	A	B	C	D
9	1.220	.984	1.496	.590
	30.99	24.99	38.00	14.99
15	1.595	1.312	1.618	.590
	40.51	33.32	41.10	14.99
25	2.114	1.852	1.646	.590
	53.70	47.04	41.81	14.99
37	2.748	2.500	1.646	.590
	69.80	63.50	41.81	14.99

PLASTIC: ABS POLYLAC - BLACK - UL 94-HB
 JACKSCREWS: STEEL - BLACK
 HOOD SCREWS: STEEL - BLACK
 COMPRESSION INSERTS: ABS UL 94-HB
 NUTS: STEEL - BLACK
 OPERATING TEMP: -30°C TO + 90 °C

RoHS COMPLIANT

	THESE DRAWINGS AND SPECIFICATIONS ARE THE PROPERTY OF NorComp AND SHALL NOT BE REPRODUCED, COPIED OR USED AS THE BASIS FOR THE MANUFACTURE OR SALE OF APPARATUS WITHOUT WRITTEN PERMISSION.		DRAWN: PAM JENKINS	DATE: 6-10-05
			CHECKED:	DATE:
NorComp		SCALE	SHEET 1 OF 1	REV 9
		DWG NO. 971-YYY-010R011		

Mouser Electronics

Authorized Distributor

Click to View Pricing, Inventory, Delivery & Lifecycle Information:

[NorComp:](#)

[971-037-010R011](#) [971-009-010R011](#) [971-015-010R011](#)