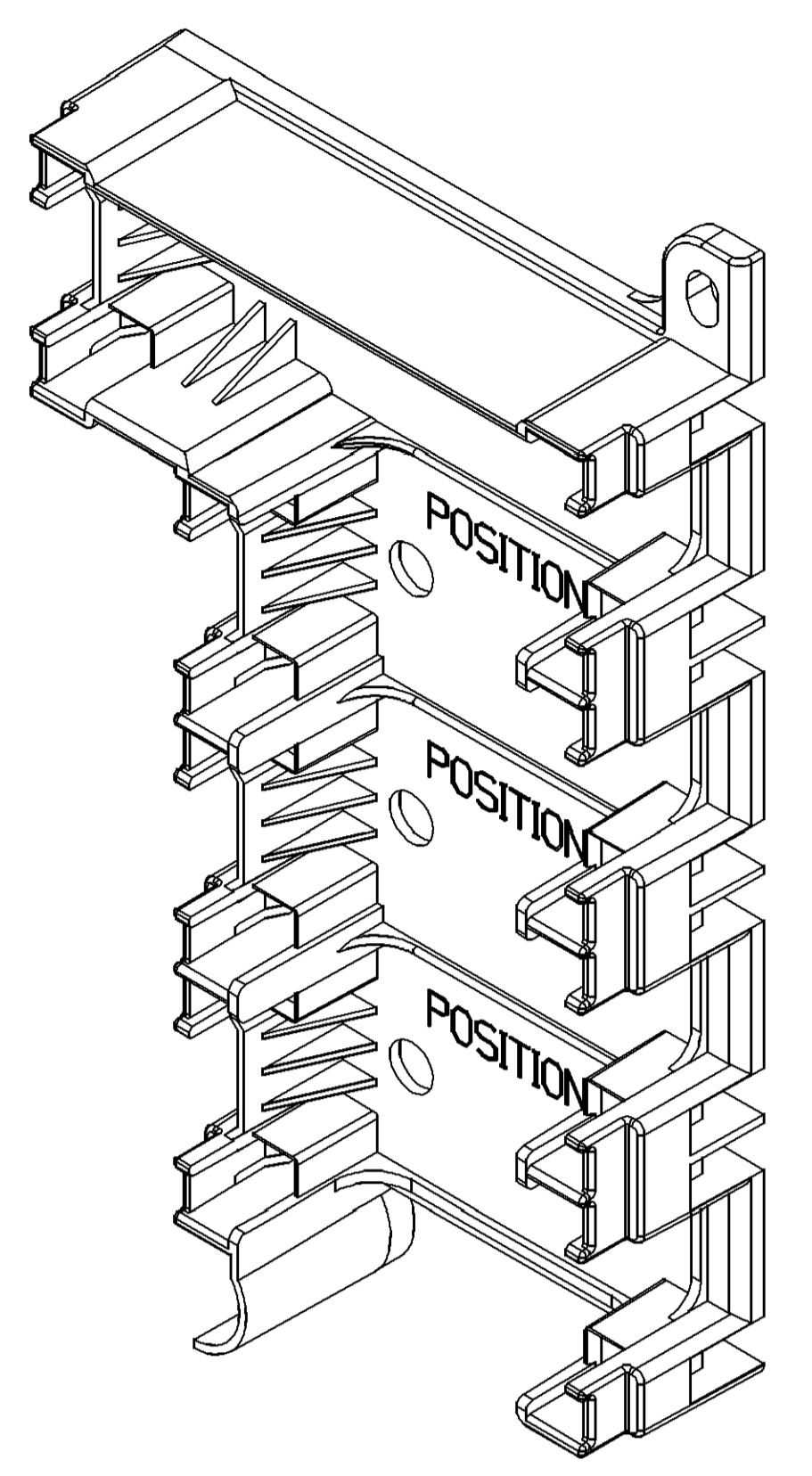
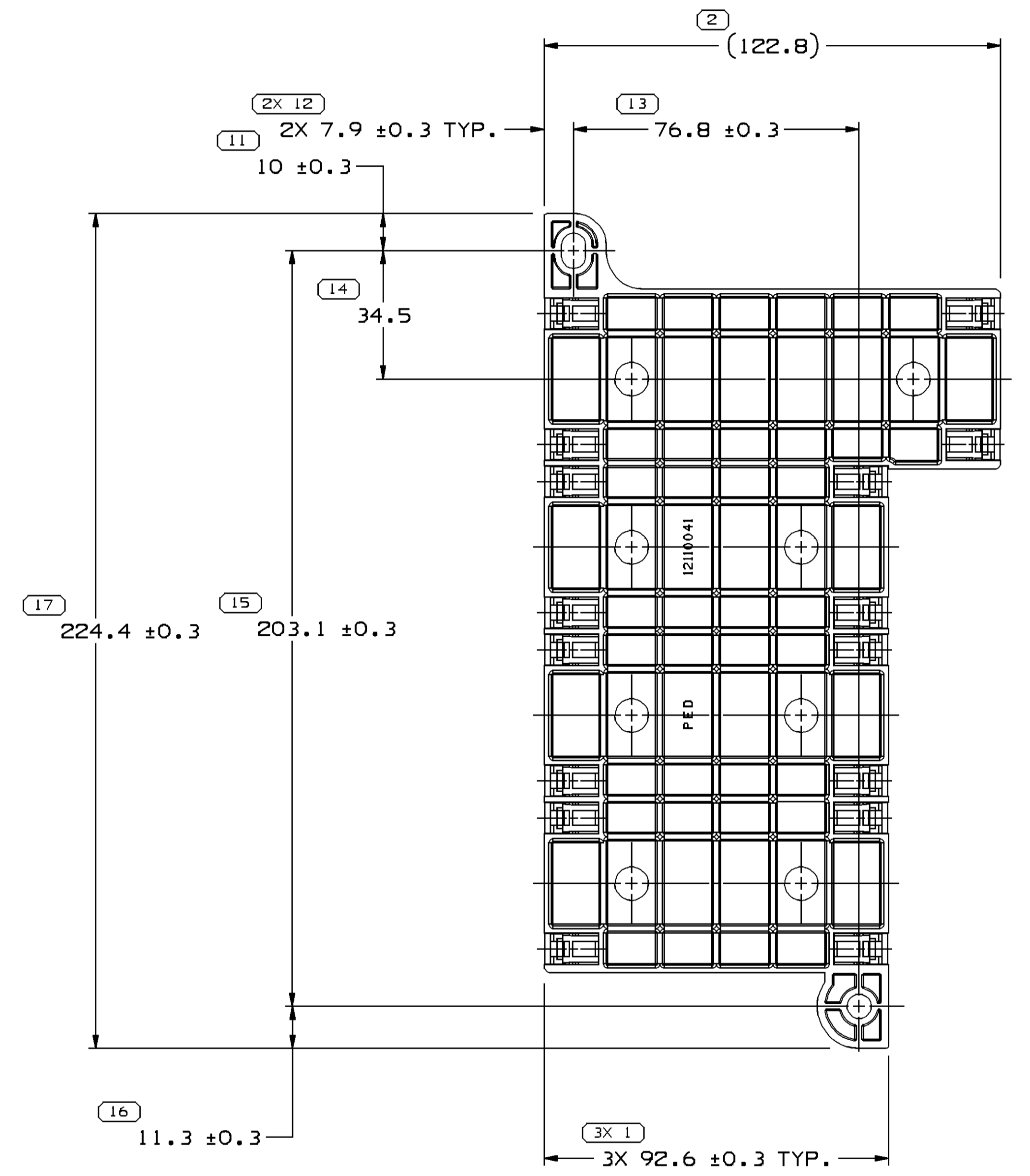
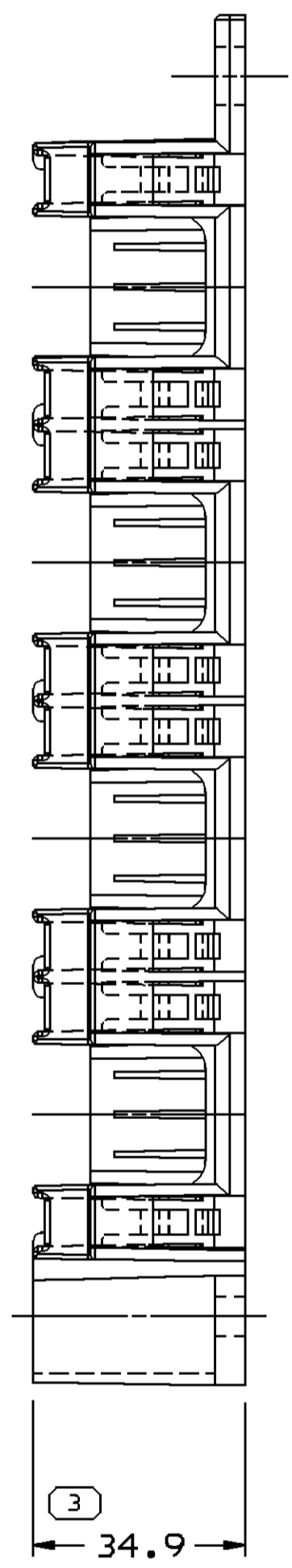
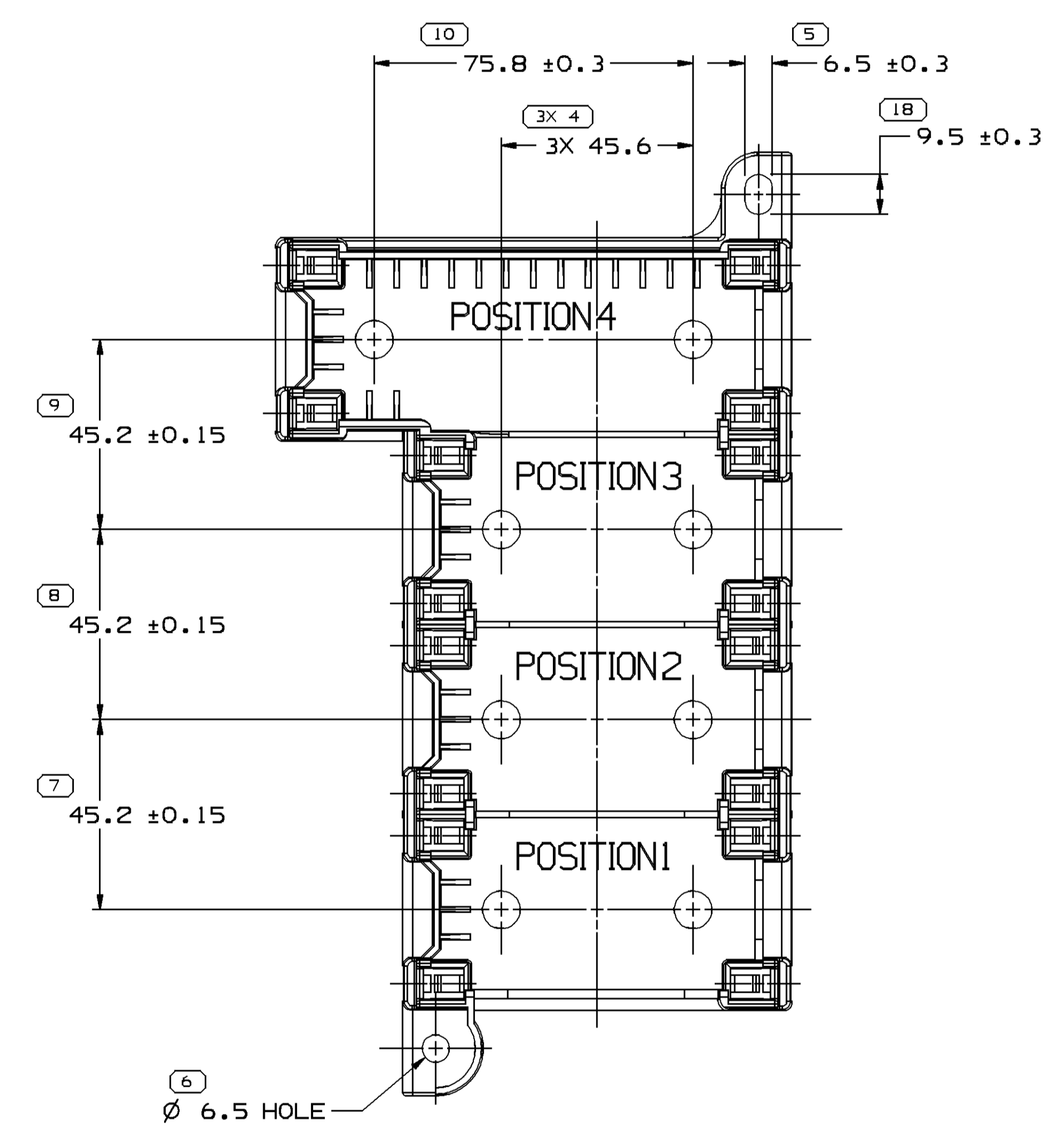


| SYMBOL DEFINITION | | TOTAL NO OF INSPECTIONS REQUIRED | | MISSING SYMBOLS | |
|--|--|----------------------------------|--|--------------------------|--|
| A DIMENSION WITHOUT AN INSPECTION REPORT SYMBOL DOES NOT REQUIRE INSPECTION. IT MAY BE CONTROLLED ON THE INDIVIDUAL COMPONENT DRAWING. | | 23 | | NO MISSING SYMBOL NUMBER | |
| LAST NO. USED | | 18 | | | |

| DWG STATUS | | | | | | REVISION HISTORY | | | AUTH | | DR | | AP/VD | |
|------------|-----|-----|-----|-----|------|----------------------------------|--|--|--------|-----|---------|---|-------|--|
| DATE | STG | REV | N/P | CHG | ZONE | | | | | | | | | |
| 07MR90 | R | D1 | - | - | | WAS PE026005 AND RELEASED | | | 900005 | CDH | CDH | 1 | | |
| 10MY90 | R | E | - | - | | ADDED NOTE *6 & REVISED GRAPHICS | | | 134460 | ATL | ATL | 2 | | |
| 31OC90 | R | F | - | - | | REVISED | | | 137538 | SC | SC | 3 | | |
| 01DE90 | R | 0 | - | - | | REVISED GRAPHICS | | | 138261 | BAR | BAR | 4 | | |
| 31JL08 | R | 02 | - | - | | REDRAWN & UPDATED MAT'L CALLOUT | | | 405611 | LMC | SCR/AEC | 5 | | |



NOTES

- UNLESS OTHERWISE SPECIFIED AND/OR INDICATED:
DIMENSIONS ARE TO FACE OF VIEW SHOWN AND AUTOMATICALLY ROUNDED BY COMPUTER FOR INSPECTION (SEE MATH MODEL FOR PRECISE DIMENSIONS). FOR ALL OTHER DIMENSIONS NOT SHOWN BUT REQUIRED FOR TOOL BUILD, SEE MATH MODEL FOR PRECISE TOOL PATH DATA.
- MATERIAL RECYCLING CODE PER ISO 11469. (2.3)X(0.1) CHARACTERS AS SHOWN TO BE LOCATED ON ANY EXTERIOR SURFACE. OPTIONAL CONSTRUCTION TO BE NO MATERIAL RECYCLING CODE.
- THIS PRODUCT IS NOT CATEGORIZED AS AN APPEARANCE ITEM, MINOR IMPERFECTIONS INCLUDING, BUT NOT LIMITED TO, FLOW MARKS, COLOR BLEMISHES, GATE VESTIGE, AND SOFT FLASH THAT DO NOT AFFECT THE FIT, FORM, OR FUNCTION OF THE PART ARE PERMISSIBLE PER NAP 4.10-18.
- THIS PART ACCEPTS THE FOLLOWING COMPONENTS OR EQUIVALENT:
MICRO - RELAY CONVENIENCE CENTER 12077571.
MINI - FUSE CONVENIENCE CENTER 12092506.
MINI - RELAY CONVENIENCE CENTER 12077574.
- (2.3)X(0.1) DELPHI CORPORATE BRAND TO BE LOCATED ON ANY EXTERIOR SURFACE, PREFERABLY VISIBLE AT FINAL ASSEMBLY. OPTIONAL CONSTRUCTION FOR EXISTING TOOLING MAY BE "PED", OR NO LOGO.
- SEALING CODE 0.
- LOCK DEVICES INTO CONVENIENCE CENTER BEFORE LOCKING CONVENINCE CENTER INTO BASE.

| | | | |
|---|-----------------------|--------------------------------------|--|
| DWG TYPE PART DRAWING | | DATE | |
| STYLE | DISTR CODE | DR | DATE |
| VOLUME 1041 93,829 | D | APV01 CRAIG D. HOOPES | 07MR90 |
| UNLESS OTHERWISE SPECIFIED THIS DOCUMENT IS IN ACCORDANCE WITH ASME Y14.5M-1994 AS MODIFIED BY THE IN-SPEC DIMENSIONING AND TOLERANCING ADDENDUM-001. SEPARATE WRITINGS OR FEATURES MAY BE BASED SEPARATELY PER POLICE OF DWTN REFERENCES. | | APV02 CRAIG D. HOOPES | 07MR90 |
| ALL DIMENSIONS ARE IN MILLIMETERS | | APV03 J.P. LITTLEFIELD | 26MR90 |
| REFERENCE | | APV04 | |
| THIRD ANGLE PROJECTION | | APV05 | SUBSTANCES OF CONCERN AND RECYCLED CONTENT PER DELPHI 10949001 |
| DO NOT SCALE. USE MATH DATA. | | MATERIAL POLYAMIDE COMPOUND BLACK | |
| DIMENSIONAL RANGE (MM) | | DRAWING NAME COV MODULE | |
| FROM | TO | SCALE | FRAME NO |
| > 0 | > 30 | 1:1 | 1 OF 1 |
| > 30 | > 70 | | |
| > 70 | > 100 | | |
| > 100 | > 150 | | |
| > 150 | > 200 | | |
| > 200 | > 250 | | |
| > 250 | > 300 | | |
| > 300 | > 400 | | |
| DIMENSIONS UNLESS OTHERWISE SPECIFIED | | DRAWING NUMBER 12110041 | |
| ±0.15 | ±0.2 | SHEET NO | 570 |
| ±0.3 | ±0.4 | REV | N/P |
| ±0.5 | ±0.6 | 1 | R 02 |
| ±0.8 | ±1 | | |
| ±1.2 | ANGULAR TOLERANCE 30' | | |

DELPHI
DELPHI PACKARD ELECTRICAL/ELECTRONIC ARCHITECTURE
WARREN, OH

DRAWING NUMBER
12110041

SIZE
A0

SCALE
1:1

FRAME NO
1 OF 1

SHEET NO
1 OF 1

REV
R 02

N/P

Mouser Electronics

Authorized Distributor

Click to View Pricing, Inventory, Delivery & Lifecycle Information:

[Aptiv:](#)

[12110041](#)