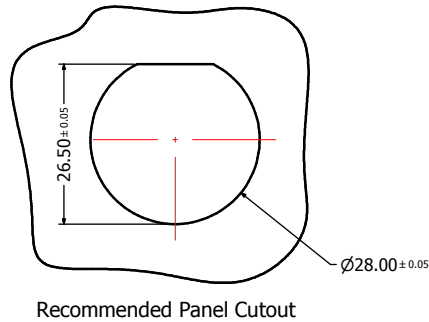
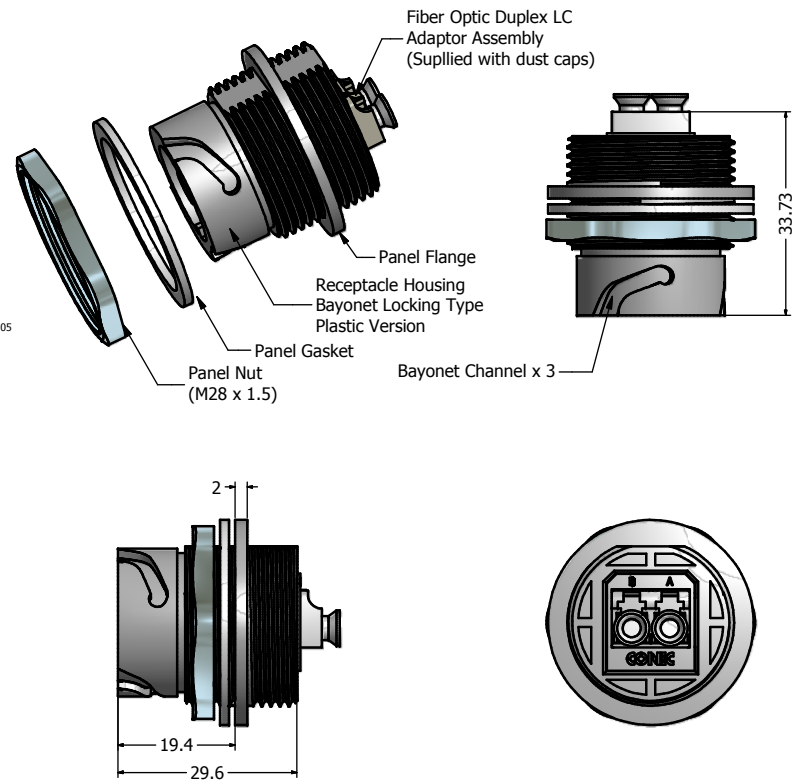
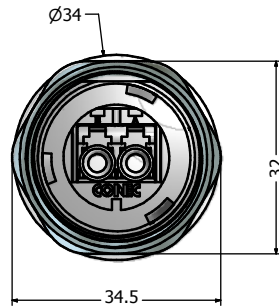


Protective Cover
Bayonet Locking Style
Plastic Version



Recommended Panel Cutout



Notes:

- Material and Finish:
 - Receptacle Housing, Protective Cover: Polyester (Black); UL94 V-0
 - Panel Nut: Brass, Finish: Nickel Plated
 - Panel Gasket: Silicon, Color: White
 - Cover Gasket: Silicon, Color: White
 - Tether: Polycarbonate, Color: Black

Duplex LC Adaptor Assembly:

- Housing: Mod. PPO, UL94 V-0, Color: **SM Blue/MM Beige/APC SM Green**
 - Alignment Sleeves: SM Ceramic/MM Phosphor Bronze
 - Dust Cap: PP, Color: Neutral transparent
 - Operating Temperature: -40~C to +85~C
- Connector can be front or rear mounted to a maximum panel thickness of 3.2mm.
 - IP67 rated when covered or fully mated with the appropriate mating connector

Directive 2002/95/EC RoHS Compliant

Description	Part Number
Plastic Duplex LC Single Mode Receptacle Assembly + Cover Assembly	17-300230
Plastic Duplex LC Multi Mode Receptacle Assembly + Cover Assembly	17-300240
Plastic Duplex LC APC Single Mode Receptacle Assembly + Cover Assembly	17-300250

THIS DRAWING MAY NOT BE COPIED OR REPRODUCED IN ANY MANNER WITHOUT THE WRITTEN PERMISSION OF CONECCORPORATION AND MAY NOT BE PASSED ON TO A THIRD PARTY WITHOUT WRITTEN PERMISSION. OWNERSHIP AND COPYRIGHT OF CONECCORPORATION	Customer:			Tolerance Unless otherwise specified 0 PLC ±0.30 1 PLC ±0.20 2 PLC ±0.10 3 PLC ±0.05 ANGLES ±1°		Scale: 1.5:1	Dim. in mm
	Name	Title	Approval Date			Material: See Notes	
						Title: IP67 Industrial Duplex LC Receptacle Assembly + Cover Assembly Plastic version	
	Rev.	Changes	Date			Name	Drawing No.: 17K1A217
a original					Part No.: SEE ABOVE TABLE		Sheet 1/1

Mouser Electronics

Authorized Distributor

Click to View Pricing, Inventory, Delivery & Lifecycle Information:

[CONEC:](#)

[17-300250](#) [17-300240](#) [17-300230](#)