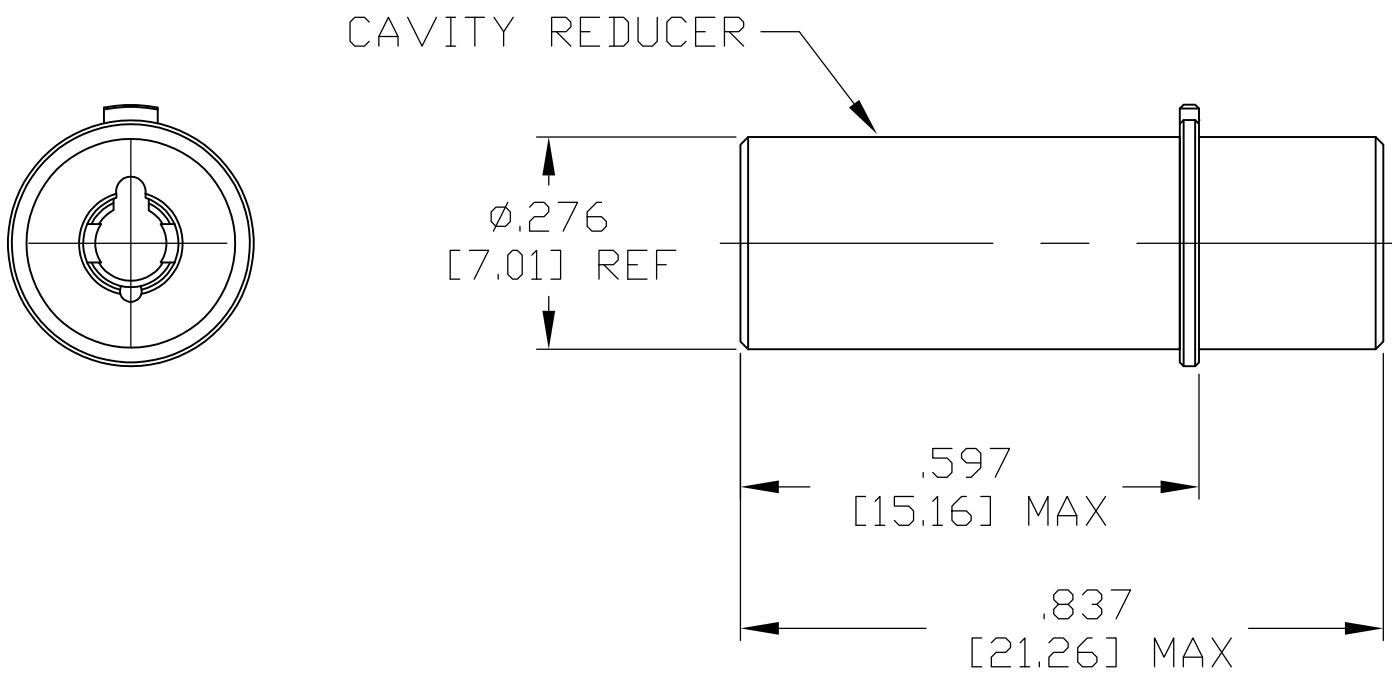


THIS DRAWING IS UNPUBLISHED. RELEASED FOR PUBLICATION
 © COPYRIGHT - By - ALL RIGHTS RESERVED.


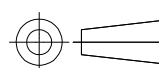
LOC		DIST		REVISIONS			
P	LTR	DESCRIPTION		DATE	DWN	APVD	
	A	REV PER ECO 11-006178		3-29-11	CT	KH	

COMPONENT	MATERIAL	FINISH
HOUSING	BRASS PER SAE-C-38500	NICKEL PLATED PER SAE-AMS-QQ-N-290
RETENTION CLIP	BERYLLIUM COPPER PER ASTM-B-194 OR 196	-

1. LuxCis IS A TRADEMARK OF RADIALL.
2. INSERT INTO RR/RR SIZE 8 QUADRAX SOCKET CAVITY TO CONVERT TO ACCEPT AN HL/HT/ML OR MT LuxCis OPTICAL CONTACT.
3. PART IS MARKED WITH TE AND TE PART NUMBER.



1757711-1
 PART NO.

THIS DRAWING IS A CONTROLLED DOCUMENT.		DWN C.C.THOMAS 2-23-05	 TE Connectivity		
DIMENSIONS: INCHES		CHK S.GLATFELTER 2-24-05			
		APVD S.GLATFELTER 2-24-05	NAME CAVITY REDUCER,QUADRAX-LuxCis,RR/RR PLUG,ARINC 600		
TOLERANCES UNLESS OTHERWISE SPECIFIED:		PRODUCT SPEC	APPLICATION SPEC		
0 PLC ± - 1 PLC ± - 2 PLC ± - 3 PLC ± - 4 PLC ± - ANGLES ± -		WEIGHT -	SIZE A3	CAGE CODE 00779	DRAWING NO C-1757711
MATERIAL -		CUSTOMER DRAWING		SCALE 4:1	SHEET 1 OF 1
FINISH -				RESTRICTED TO -	REV A

Mouser Electronics

Authorized Distributor

Click to View Pricing, Inventory, Delivery & Lifecycle Information:

[TE Connectivity:](#)

[1757711-1](#)