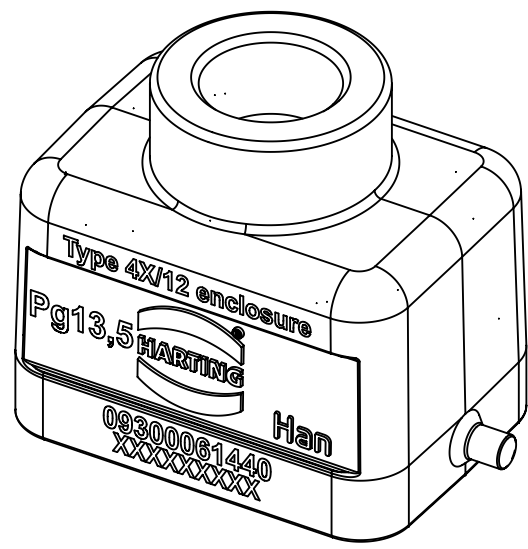
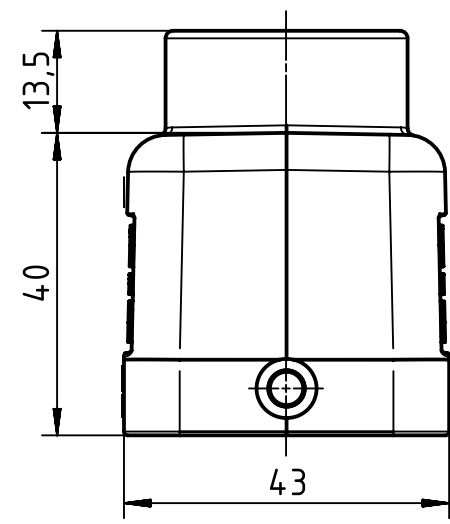
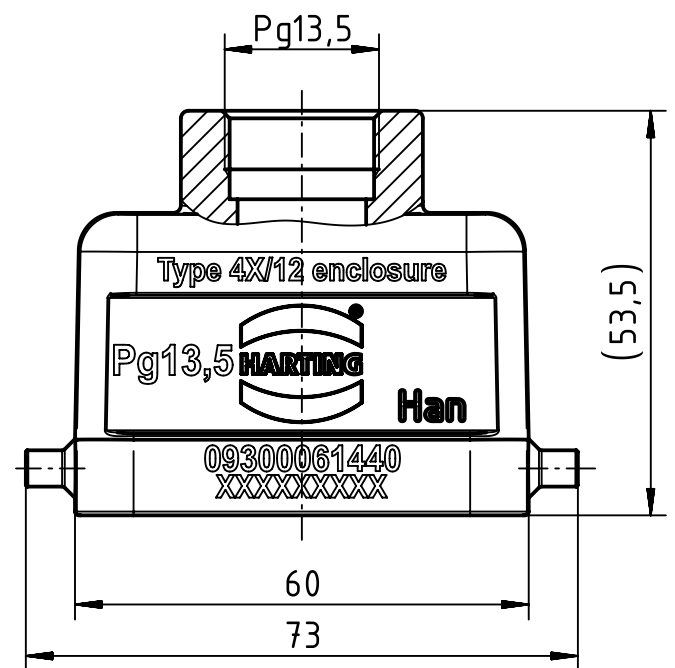


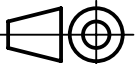

A

B

C

D



 All Dimensions in mm Original Size DIN A4	Scale	Free size tol.		Ref.	
	1:1			Sub.	
 All rights reserved Department EL PD - DE	Created by	Inspected by	Standardisation	Date	State
	HELLMANN	BERGHORN	RUETERA	2017-01-24	Final Release
HARTING Electric GmbH & Co. KG D-32339 Espelkamp	Title				Doc-Key / ECM-Nr.
	Han B Hood Top Entry LC 2 Pegs PG 13.5				10020124.2/UGD/004/D 5000001134.82
Type		Number		Rev.	Page
TB		09 30 006 1440		D	1/1

# Mouser Electronics

Authorized Distributor

Click to View Pricing, Inventory, Delivery & Lifecycle Information:

[HARTING:](#)

[09300061440](#)