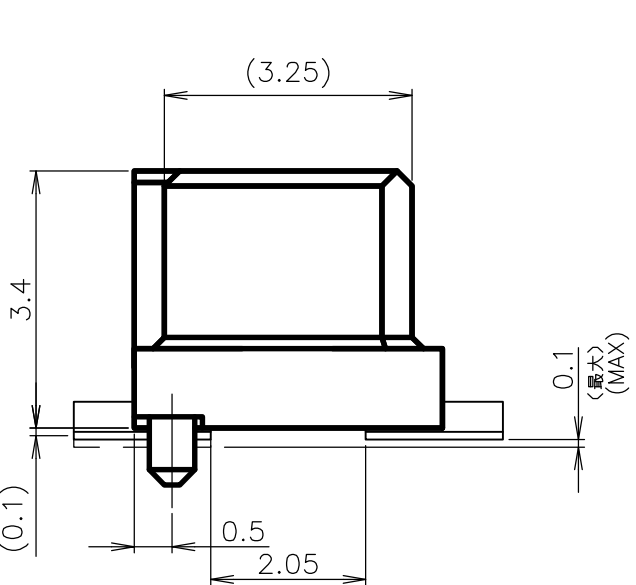
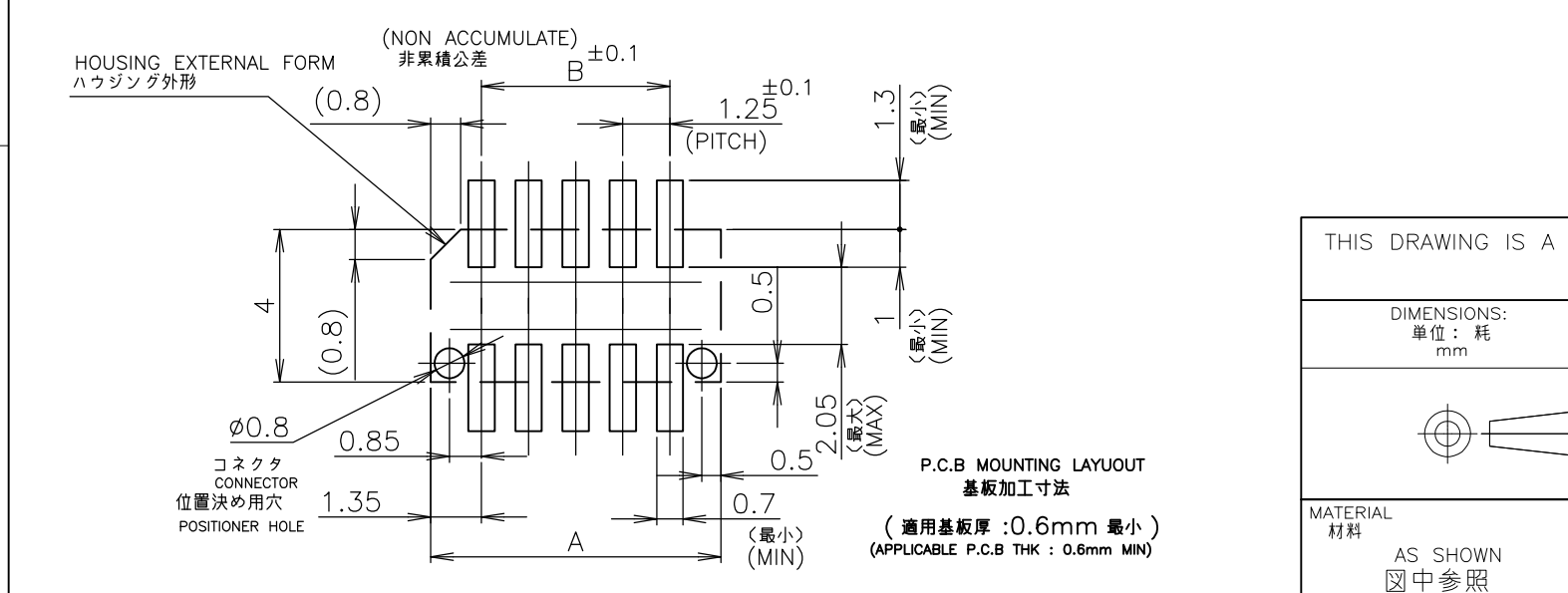
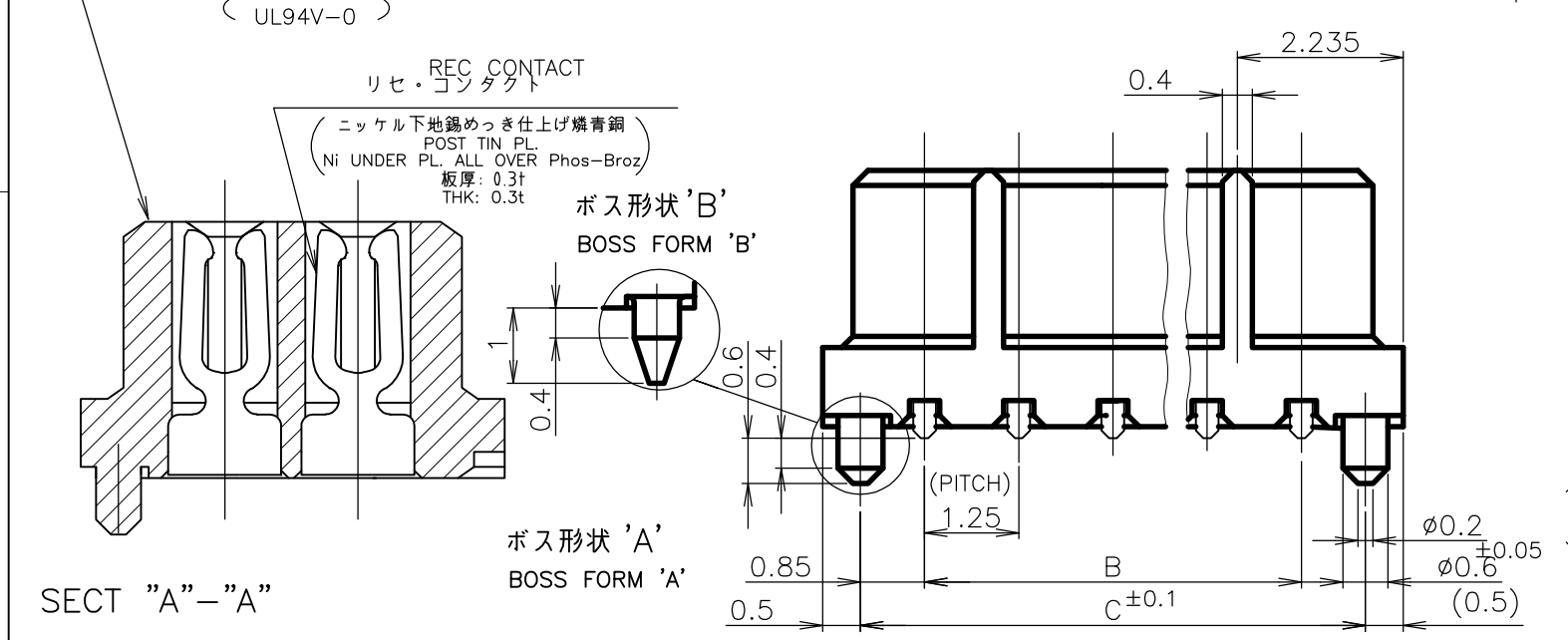
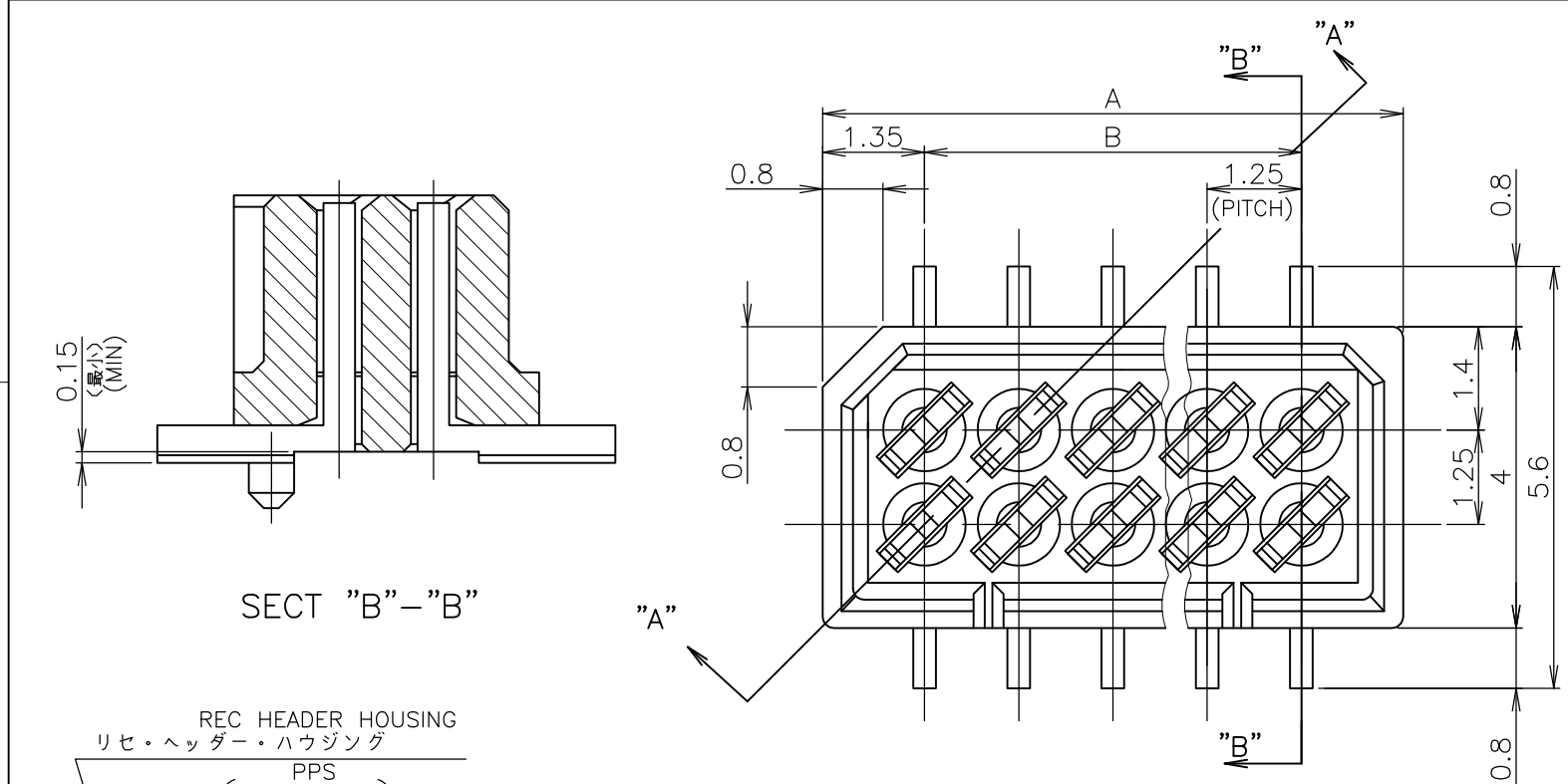


THIS DRAWING IS UNPUBLISHED. RELEASED FOR PUBLICATION ? ? ?
 © COPYRIGHT ? By - ALL RIGHTS RESERVED.

| LOC | DIST | REVISIONS | | | | | |
|-----|------|-----------|-----|---------------------------|-----------|-----|------|
| | | P | LTR | DESCRIPTION | DATE | DWN | APVD |
| J | | P2 | | REVISED PER ECR-14-010014 | 31NOV2014 | I.T | W.H |

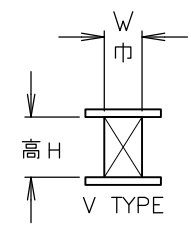


1 嵌合相手製品型番及び、嵌合時寸法は
 MATING COUNTER PART NUMBER AND DIMENSIONS
 表-1 参照のこと。
 AFTER MATING: SEE TABLE 1.

嵌合時寸法: 巾(mm)×高さ(mm)
 DIMENSIONS AFTER MATING: WIDE(mm) x HEIGHT(mm)

| DIP TYPE | MATING COUNTER CONN 嵌合相手側コネクタ POST HDR ASSY | | REC HDR ASSY SMT V TYPE WITH BOSS X-174639-X | |
|----------|---|-----|---|-----------------------|
| | 製品型番 | P/N | 高さ H | |
| DIP TYPE | X-174643-X | | 3.95 | 5.6 (巾W) x 5.0 (高さH) |
| | | | 5.95 | 5.6 (巾W) x 7.0 (高さH) |
| SMT TYPE | ボス無 WITHOUT BOSS X-174645-X | | 3.95 | 5.6 (巾W) x 6.5 (高さH) |
| | | | 5.45 | 5.6 (巾W) x 6.5 (高さH) |
| | ボス付 WITH BOSS X-174821-X | | 5.95 | 5.6 (巾W) x 7.0 (高さH) |
| | | | 9.35 | 7.0 (巾W) x 10.5 (高さH) |

TABLE 1 SMT TYPEは、巾及び高さ寸法に
 SMT TYPE INCLUDE DIMENSIONS
 半田付タイン部寸法を含みます。
 OF SOLDER DIP TIME.



| | | | | | | | |
|----------|----------------|-------|-------|-------|---------|----|----------|
| OBSOLETE | 'A' | 12.95 | 11.25 | 13.95 | 20 | 5- | -0 |
| | | 11.70 | 10.00 | 12.70 | 18 | 4- | -8 |
| | | 10.45 | 8.75 | 11.45 | 16 | 4- | -6 |
| | | 9.20 | 7.50 | 10.20 | 14 | 4- | -4 |
| | | 7.95 | 6.25 | 8.95 | 12 | 4- | -2 |
| | | 6.70 | 5.00 | 7.70 | 10 | 4- | -0 |
| | 'B' | 4.20 | 2.50 | 5.20 | 6 | 3- | 174639-6 |
| | ボス形状 BOSS FORM | C | B | A | 極数 Pos. | | 型番 P/N |

THIS DRAWING IS A CONTROLLED DOCUMENT.

| | | | | |
|-------------------------|---------------------|---|--|---------------------|
| DWN S.KANEKI 03JUL89 | TE Connectivity | NAME 1.25 F-P コネクタ (基板対基板接続用) 名称 2列仕様 リセ ヘッダー アッセンブリ (V) サーフエスマウント タイプ 基板位置決め用ボス付 1.25 F-P CONNECTOR (B-TO-B) DOUBLE ROW REC HDR ASSY (V) SMT TYPE WITH BOSS | SIZE A3 CAGE CODE 00779 DRAWING NO. 174639 | RESTRICTED TO 番号 |
| CHK J.TANIGAWA 03JUL89 | | | | |
| APVD S.KIKUCHI 03JUL89 | | | | |
| PRODUCT SPEC 製品規格 | | | | |
| APPLICATION SPEC 取付適用規格 | CUSTOMER DRAWING | SCALE 10:1 | SHEET 1 OF 1 | REV P2 |

DIMENSIONS: 単位: 概 mm
 TOLERANCES UNLESS OTHERWISE SPECIFIED: 一般公差
 0-PLC ±
 1-PLC ±
 2-PLC ±
 3-PLC ±
 4-PLC ±
 ANGLES ±3°
 FINISH 仕上 AS SHOWN 図中参照

Mouser Electronics

Authorized Distributor

Click to View Pricing, Inventory, Delivery & Lifecycle Information:

[TE Connectivity:](#)

[4-174639-6](#)