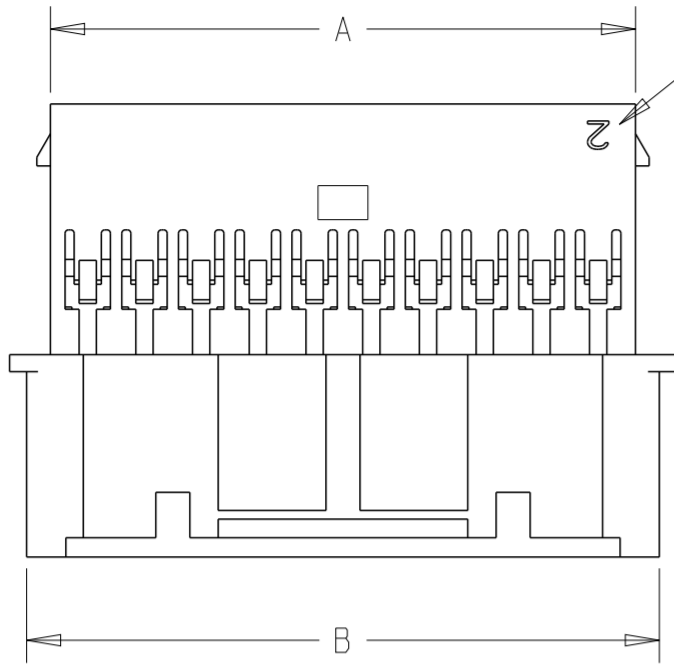


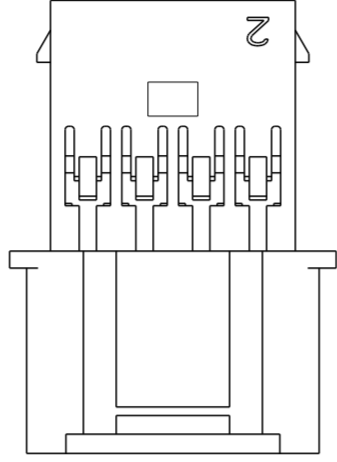
THIS DRAWING IS UNPUBLISHED. RELEASED FOR PUBLICATION 20
 © COPYRIGHT 20 BY - ALL RIGHTS RESERVED.

LOC		DIST		REVISIONS			
P	LTR	DESCRIPTION		DATE	DWN	APVD	
	B	REVISED PER ECR-15-006219		30APR2015	NK	JR	

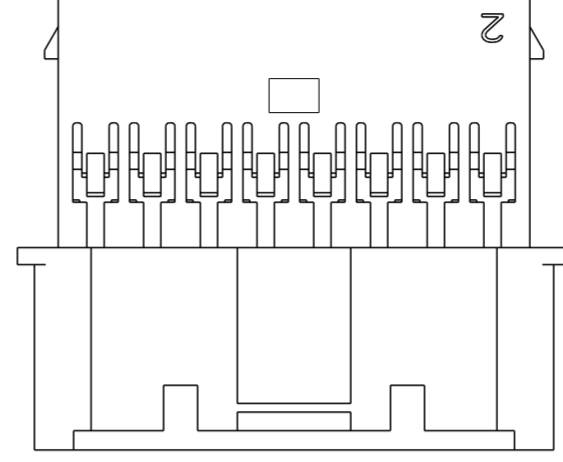


1-1969593-8 THROUGH 4-1969593-0
DOUBLE LATCH

CIRCUIT #2

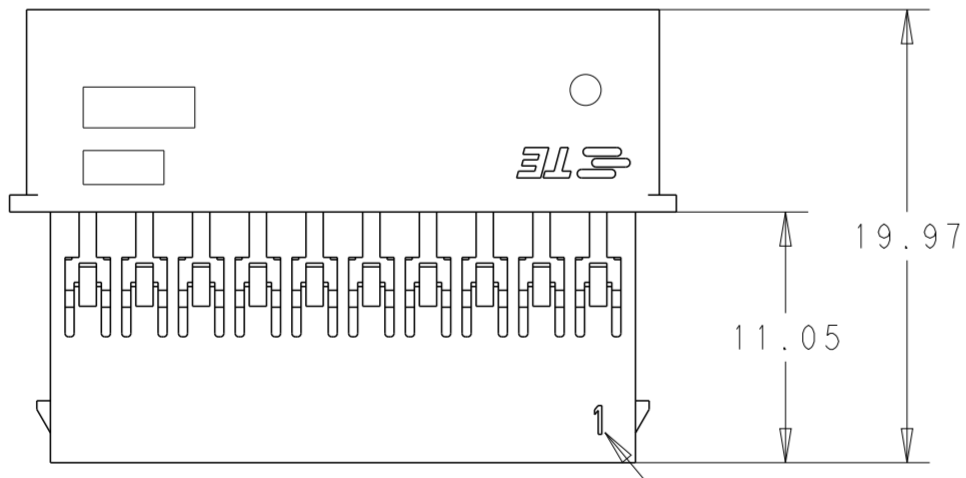
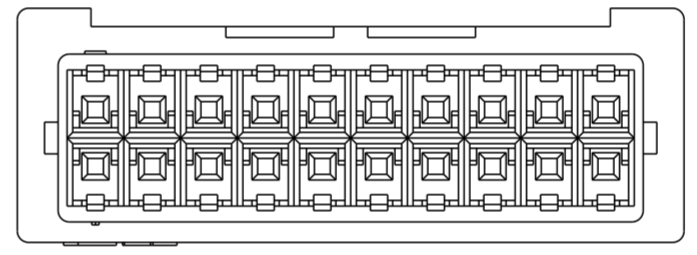
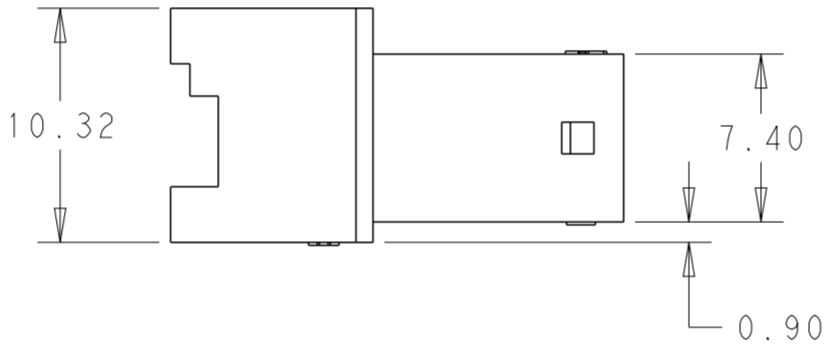
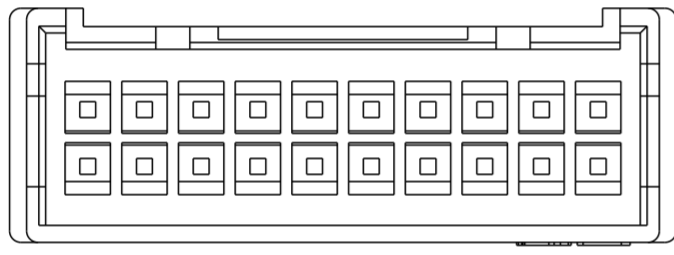


1969593-8 & 1-1969593-0
SINGLE LATCH W/O CUTOUTS

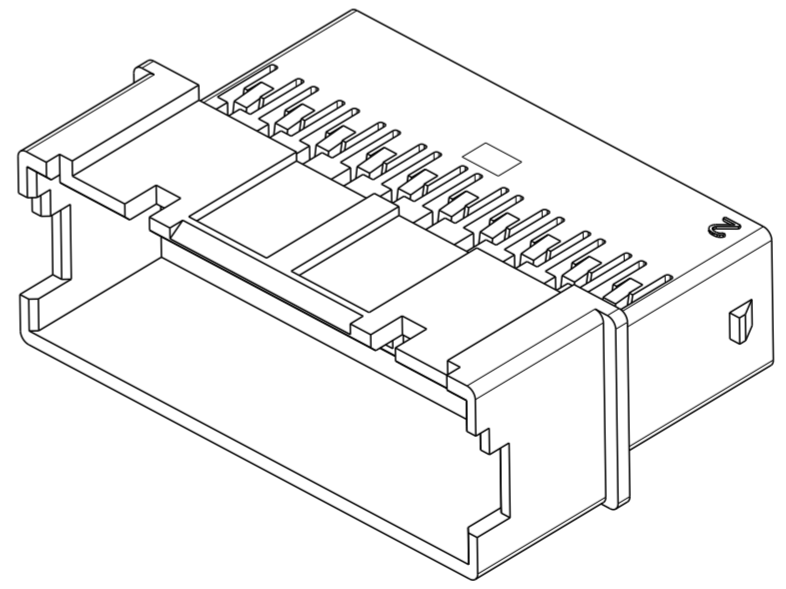


1-1969593-2, 1-1969593-4 & 1-1969593-6
SINGLE LATCH W/ CUTOUTS

1. MATERIAL: NYLON UL94V-0, FLAME RETARDANT, COLOR: NATURAL
2. PARTS TESTED TO IEC 60695-2-11 AND IS COMPLIANT TO IEC 60335-1.
3. HOUSING, MATERIAL MEETS MINIMUM GLOW WIRE FLAMMABILITY INDEX OF 850°C PER IEC 60695-2-12 AND MINIMUM GLOW WIRE IGNITION TEMP OF 775°C PER IEC 60695-2-13.
4. ACCEPTS TE PIN CONTACTS P/N'S 2238007-() & 2238008-()
5. HOUSING ACCEPTS OPTIONAL TPA P/N'S 1969541-()
6. MATES WITH TE PLUG HOUSINGS P/N'S 1969567-()



CIRCUIT #1



40	52.89	50.79	4-1969593-0
38	50.39	48.29	3-1969593-8
36	47.89	45.79	3-1969593-6
34	45.39	43.29	3-1969593-4
32	42.89	40.79	3-1969593-2
30	40.39	38.29	3-1969593-0
28	37.89	35.79	2-1969593-8
26	35.39	33.29	2-1969593-6
24	32.89	30.79	2-1969593-4
22	30.39	28.29	2-1969593-2
20	27.89	25.79	2-1969593-0
18	25.39	23.29	1-1969593-8
16	22.89	20.79	1-1969593-6
14	20.39	18.29	1-1969593-4
12	17.89	15.79	1-1969593-2
10	15.39	13.29	1-1969593-0
8	12.89	10.79	1969593-8
POS	DIM.B	DIM.A	PART NO.

THIS DRAWING IS A CONTROLLED DOCUMENT. DWN A NOEL 03OCT2012
 CHK - APVD -

DIMENSIONS: mm TOLERANCES UNLESS OTHERWISE SPECIFIED:
 0 PLC ±
 1 PLC ±
 2 PLC ±0.25
 3 PLC ±
 4 PLC ±
 ANGLES ±
 FINISH

MATERIAL SEE NOTES

Customer Drawing

TE Connectivity
 EP 2.5 DUAL ROW, RECEPTACLE HSG
 WIRE TO WIRE, GLOW WIRE

PRODUCT SPEC 108-2418
 APPLICATION SPEC 114-13315

SIZE A2 CAGE CODE 00779 DRAWING NO C-1969593 RESTRICTED TO -
 SCALE 3:1 SHEET 1 OF 1 REV B

Mouser Electronics

Authorized Distributor

Click to View Pricing, Inventory, Delivery & Lifecycle Information:

[TE Connectivity:](#)

[2-1969593-2](#)