

4

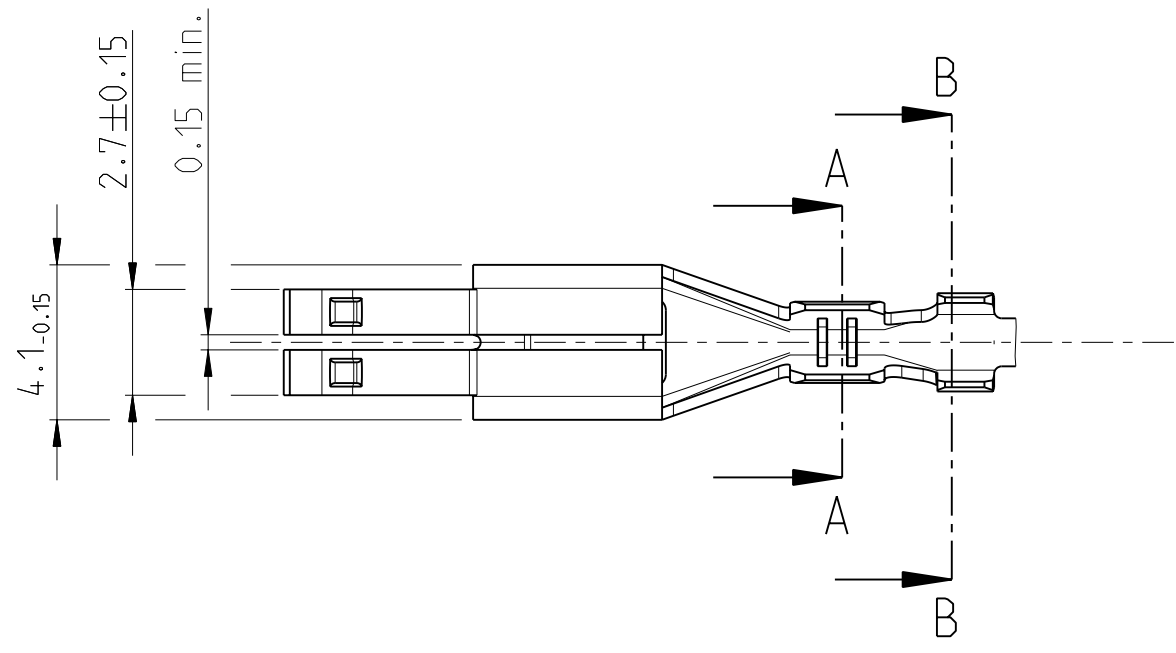
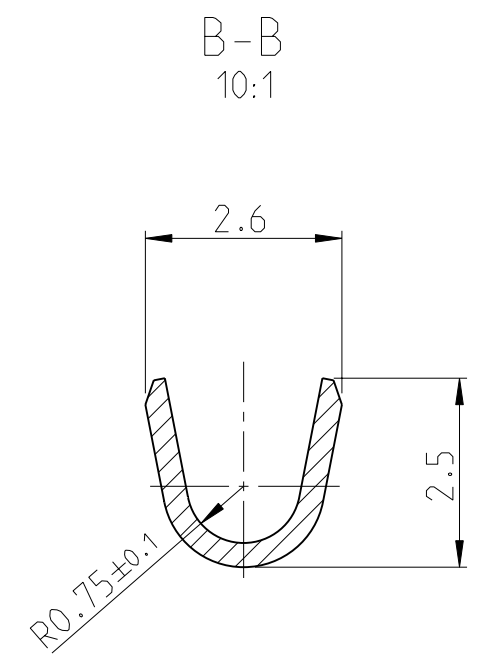
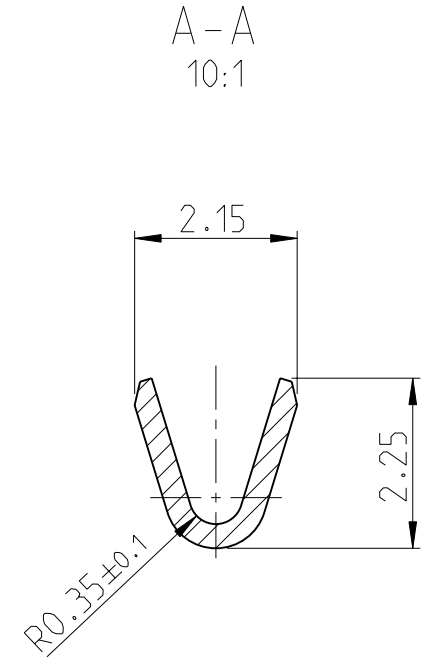
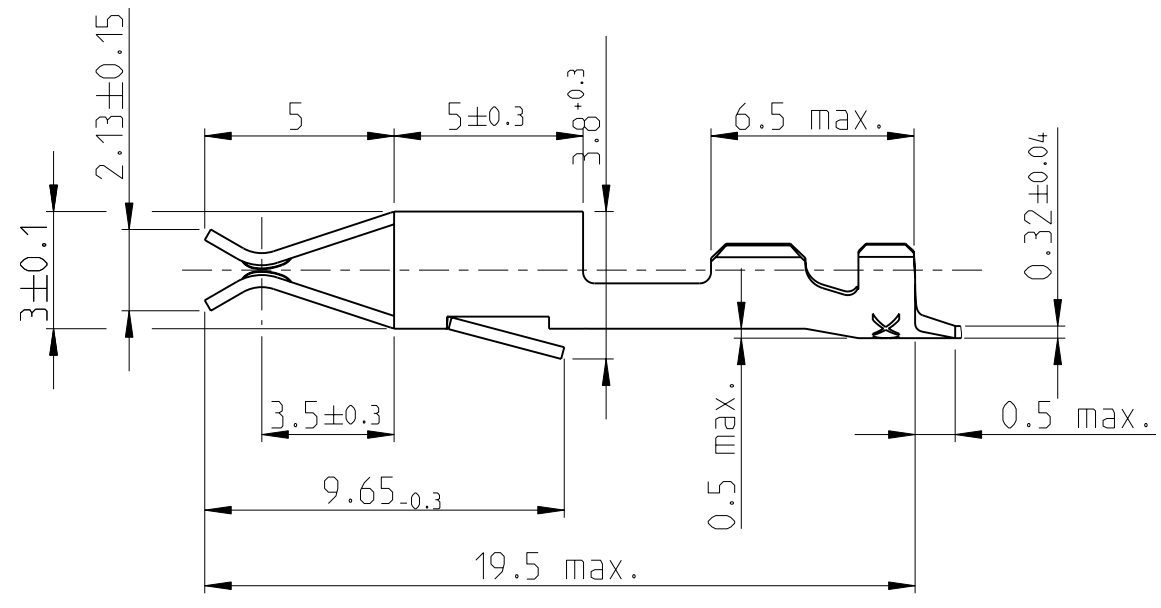
3

2

1


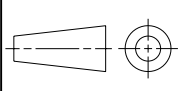
THIS DRAWING IS UNPUBLISHED. RELEASED FOR PUBLICATION
 © COPYRIGHT - ALL RIGHTS RESERVED.

LOC	DIST	REVISIONS					
		P	LTR	DESCRIPTION	DATE	DWN	APVD
A1	-	B2		REVISED PER ECO-11-005150	31MAR2011	RK	HMR



WIRE SIZE RANGE: 0.2 - 0.5mm²
 Drahtgrößenbereich: 0.2 - 0.5mm²

LOOSE PIECE	PART NO.	MATERIAL	FINISH
927872-4	927871-4	CuZn30	PRESILVER PLATED
927872-2	927871-2	CuSn4	PRE-TINNED
927872-1	927871-1	CuZn30	PRE-TINNED

THIS DRAWING IS A CONTROLLED DOCUMENT.		DWN J. Widder 11SEP1984	 TE Connectivity			
DIMENSIONS: mm		CHK Herth 12SEP1984				
TOLERANCES UNLESS OTHERWISE SPECIFIED: ±0.2		APVD -	NAME JUNIOR-TIMER CONTACT Junior-Timer Kontakt			
		PRODUCT SPEC 108-18053	SIZE A3	CAGE CODE 00779	DRAWING NO C-927871	RESTRICTED TO -
MATERIAL -		FINISH -	SCALE 5:1		SHEET 1 OF 1	REV B2
CUSTOMER DRAWING						

Mouser Electronics

Authorized Distributor

Click to View Pricing, Inventory, Delivery & Lifecycle Information:

[TE Connectivity:](#)

[927871-2](#)