

REFERENCE SPECIFICATIONS

-NFC 93425 (in compliance with HE 507)

PHYSICAL CHARACTERISTICS

-INSULATOR MATERIAL: THERMOPLASTIC UL94V0
 -CONTACT MATERIAL: BRASS

-ACCESSORIES: BRASS
 -SHELLS: STEEL

ELECTRICAL CHARACTERISTICS

-NOMINAL CURRENT: 7.5A
 -CONTACT RESISTANCE: <= 7.3 m ohms
 -CONTACT/CONTACT : >=1000 V
 -CONTACT/GROUND : >=1200 V
 -INSULATION RESISTANCE: >=5000 MOhms

ENVIRONMENTAL CHARACTERISTICS

- CLIMATIC CATEGORY: 55/125/21
 TEMPERATURE RANGE -55°C TO +125°C
 DAMP HEAT STEADY STATE 21 DAYS
 SALT SPRAY 48 HOURS

MECHANICAL CHARACTERISTICS

RETENTION AGAINST TORQUE: - Threaded insert: 0.7 N.m minimum
 - Female screw : 0.5 N.m minimum

NOTE RoHS INFORMATION

- The "LF" products meet european union Directives and other country regulations as described in GS-22-008.
- Termination plating spec:
Ni + Gold
- Active area plating spec:
Ni + Gold
- Shell plating :2 to 4µm Cu + Ni + 3 to 10µm Sn,pure bright
- Accessories: Sn pure bright + nickel
- Packaging spec: See GS-14-920

DBL13W3P043A00LF

Series

Shell size: **E A B C D**
 see sheet 3
 Front accessory definition
 see sheet 2

Blank :without accessory
L :threaded insert M3
O :threaded insert UNC 4-40

Layout of contacts (see sheet 3)

Contacts

P :Pin

Plating

Blank signal solder bucket 200 matings/unmatings
043 signal solder bucket 500 matings/unmatings

PCB accessory definition

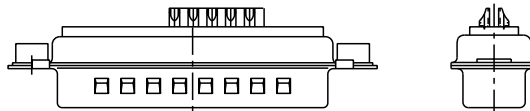
A without accessory on PCB

Power contacts

00 without power contact

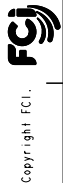
See note RoHS

13W3 FOR EXAMPLE

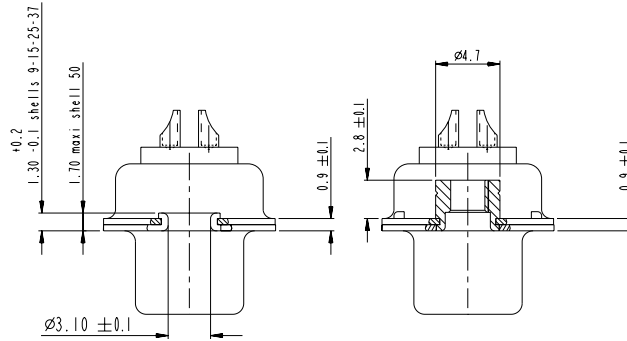


rev	ecn no	dr	date
A	LS05-0101	MPE	2005-10-11
B	LS06-0208	LGO	2006-12-13
C	LS07-0173	MPE	2007-06-18
D	LS07-0273	MPE	2007-10-31
-	-	-	-
-	-	-	-
-	-	-	-

www.fciconnect.com		surface	tolerance std	projection	mm
		ISO 1302	ISO 406 ISO 1101	⊕	←→
		TOLERANCES UNLESS OTHERWISE SPECIFIED			
Dr	M PESSON	2005-10-11	ANGULAR	0.X ±0.3	size A2 Scale 2:1
Eng	P LEGARE	2005-10-11	LINEAR	0.xx ±0.1	
Chr			0° ±2'	0.xxx ±0.05	ECN LS07-0273
Appr					Spec ref
Product family					
FCI		SUB MALE DW		Rev. D	
mixed power+solder bucket		catalog no		C01-8639-2307	
		CUSTOMER		sheet 1 of 7	



Copyright FCI.



FRONT ACCESSORY	Blank without	L insert M3
		O insert UNC 4.40
PCB ACCESSORIES	A without	A without

PART NUMBER	MATINGS/ UNMATINGS	FRONT ACCESSORY	PCB ACCESSORIES
D*xWxPA00LF	200	without	without
D*LxWxPA00LF	200	insert M3	without
D*OxWxPA00LF	200	insert UNC 4.40	without
D*xWxP043A00LF	500	without	without
D*LxWxP043A00LF	500	insert M3	without
D*OxWxP043A00LF	500	insert UNC 4.40	without

shell size	LAYOUTS
E	xWx
E	5W1
A	11W1
A	7W2
B	21W1
B	17W2
B	13W3
B	9W4
C	25W3
C	21WA4
C	27W2
D	47W1
D	24W7
D	36W4



Copyright FCI.

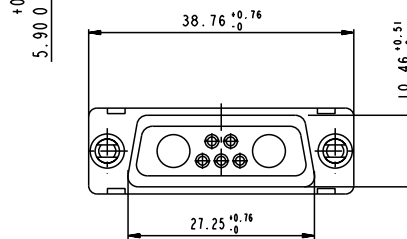
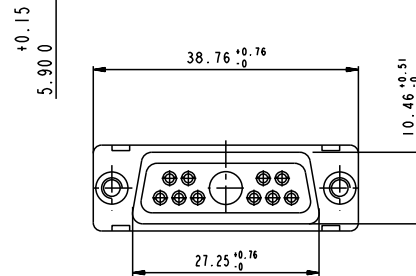
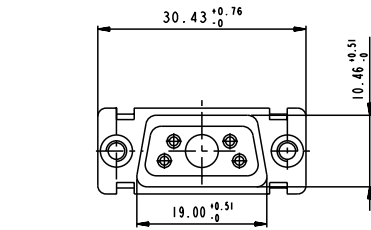
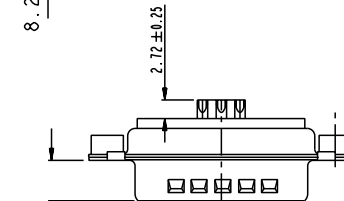
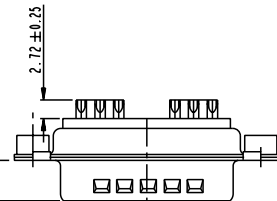
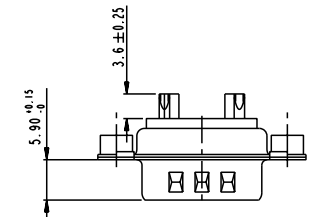
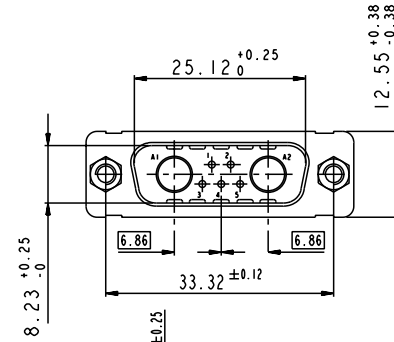
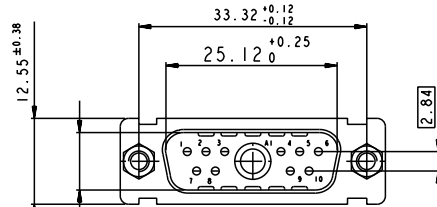
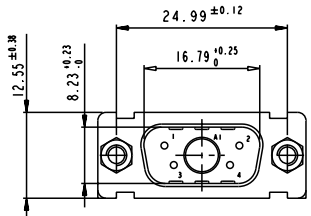
www.fciconnect.com		surface ISO 1302	tolerance std ISO 406 ISO 1101	projection mm
		TOLERANCES UNLESS OTHERWISE SPECIFIED		
Dr	M PESSON	2005-10-11	ANGULAR	0.X ±0.3
Eng	P LEGARE	2005-10-11	LINEAR	0.XX ±0.1
Chr			0° ±2°	0.XXX ±0.05
Appr			Product family	Spec ref
FCI		SUB MALE DW		Rev. D
mixed power+solder bucket		catag no	C01-8639-2307	sheet 2 of 7
		CUSTOMER		

SCALE: 4

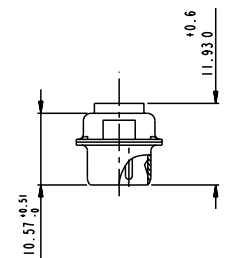
5W1

11W1

7W2



SIDE VIEW FOR LAYOUTS: E A B C



Floating signal contacts



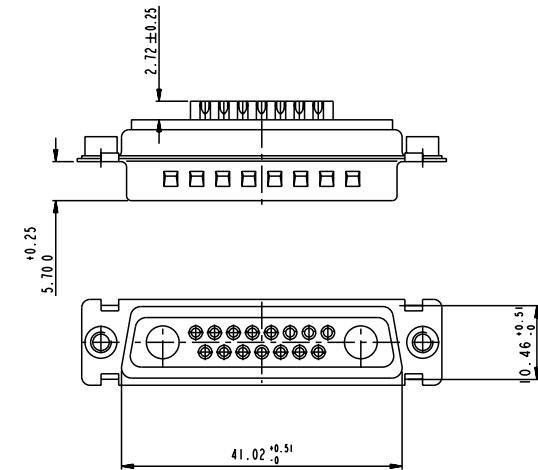
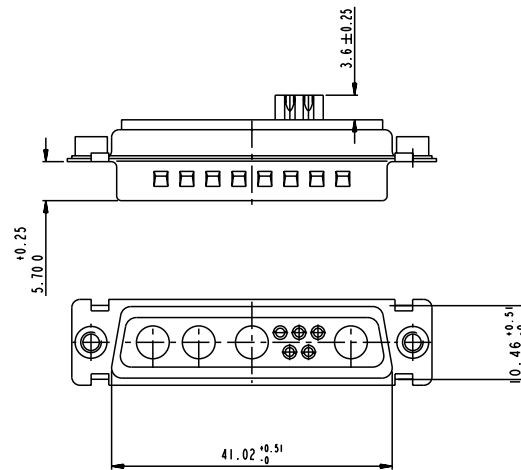
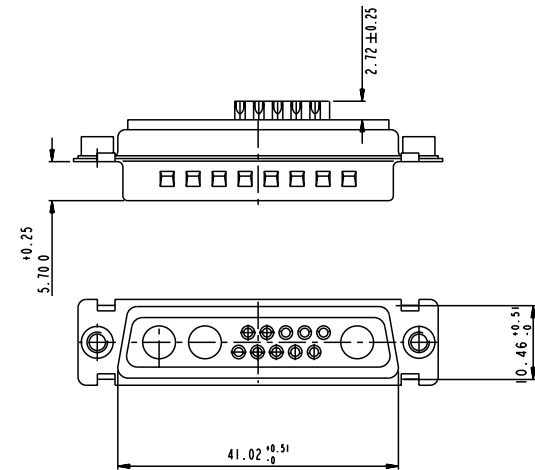
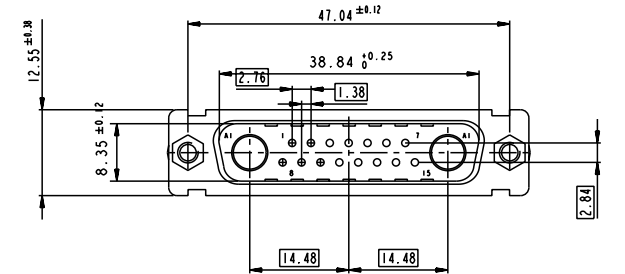
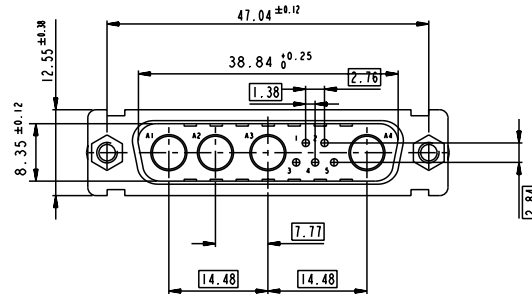
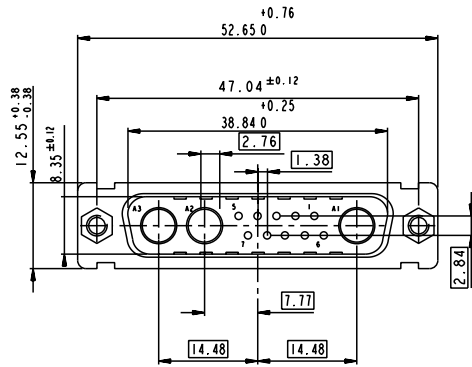
Copyright FCI.

www.fciconnect.com		surface ISO 1302	tolerance std ISO 406 ISO 1101	projection ISO 1101	mm
		TOLERANCES UNLESS OTHERWISE SPECIFIED			
Dr M PESSON	2005-10-11	ANGULAR	0.X	±0.3	size A2 Scale 2:1
Eng P LEGARE	2005-10-11	LINEAR	0.XX	±0.1	
Chr		0° ±2°	0.XXX	±0.05	ECN LS07-0273
Appr		Product family			Spec ref
FCI		SUB MALE DW		ang no	Rev.
mixed power+solder bucket		catalog no		C01-8639-2307	D
				CUSTOMER	sheet 3 of 7

13W3

9W4

17W2

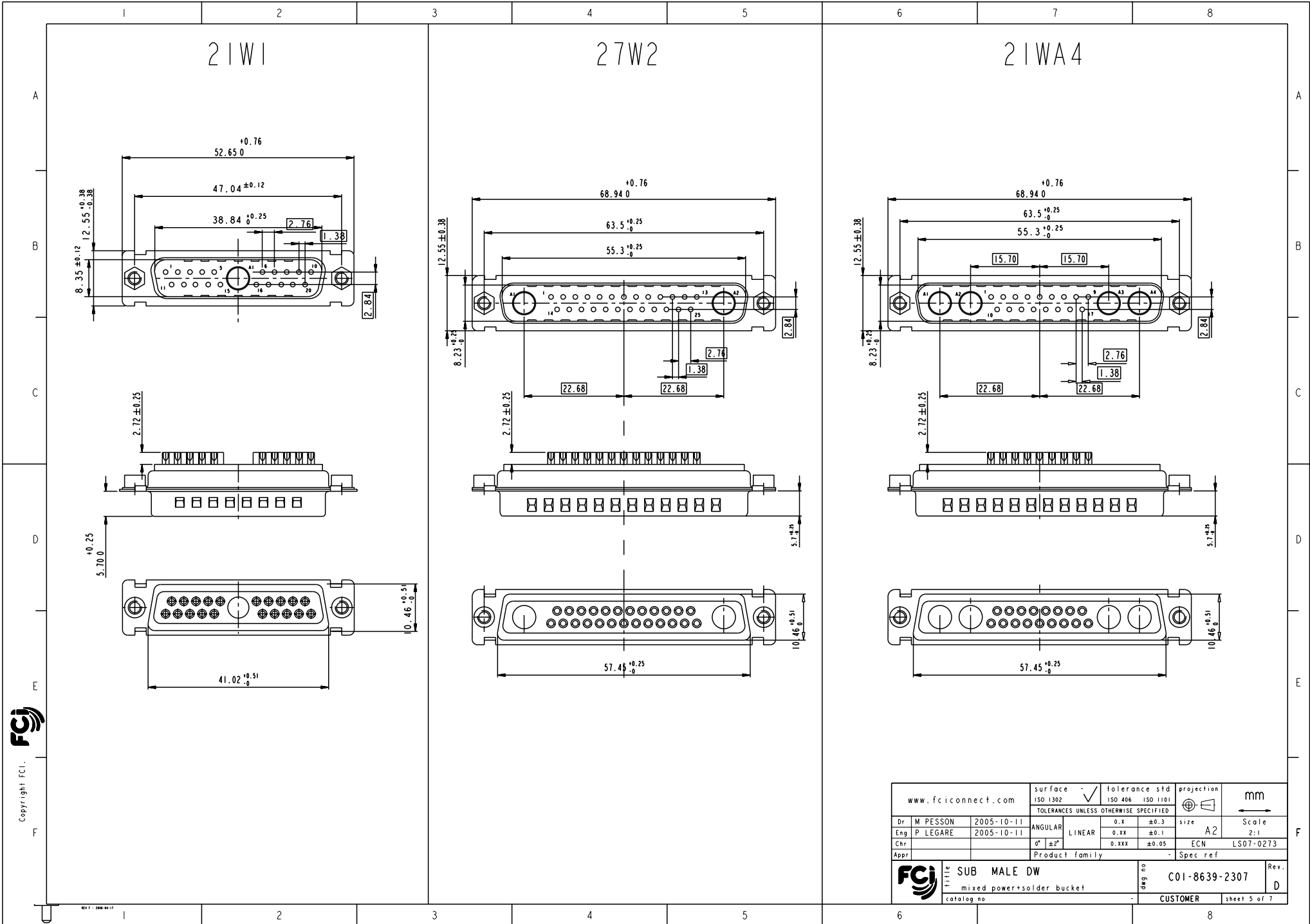


Floating signal contacts



Copyright FCI.

www.fciconnect.com		surface ISO 1302	tolerance std ISO 406 ISO 1101	projection mm
		TOLERANCES UNLESS OTHERWISE SPECIFIED		
Dr M PESSON	2005-10-11	ANGULAR	0.X ±0.3	size A2 Scale 2:1
Eng P LEGARE	2005-10-11	LINEAR	0.XX ±0.1	ECN LS07-0273
Chr		0° ±2°	0.XXX ±0.05	Spec ref
Appr		Product family		
FCI SUB MALE DW		ang no	C01-8639-2307	
mixed power+solder bucket		Rev.	D	
catalog no		CUSTOMER	sheet 4 of 7	



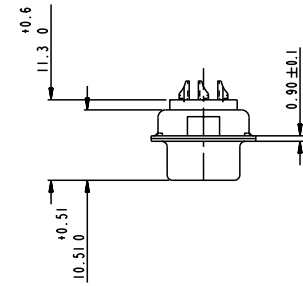
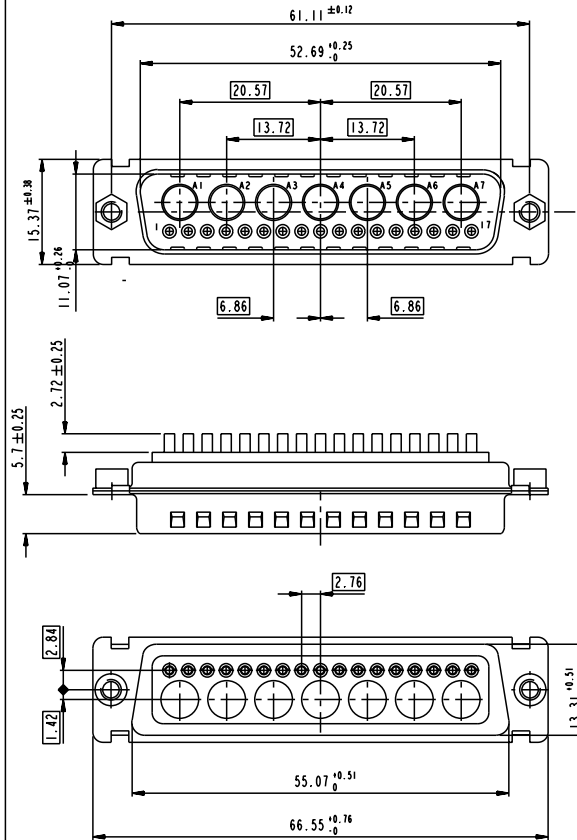
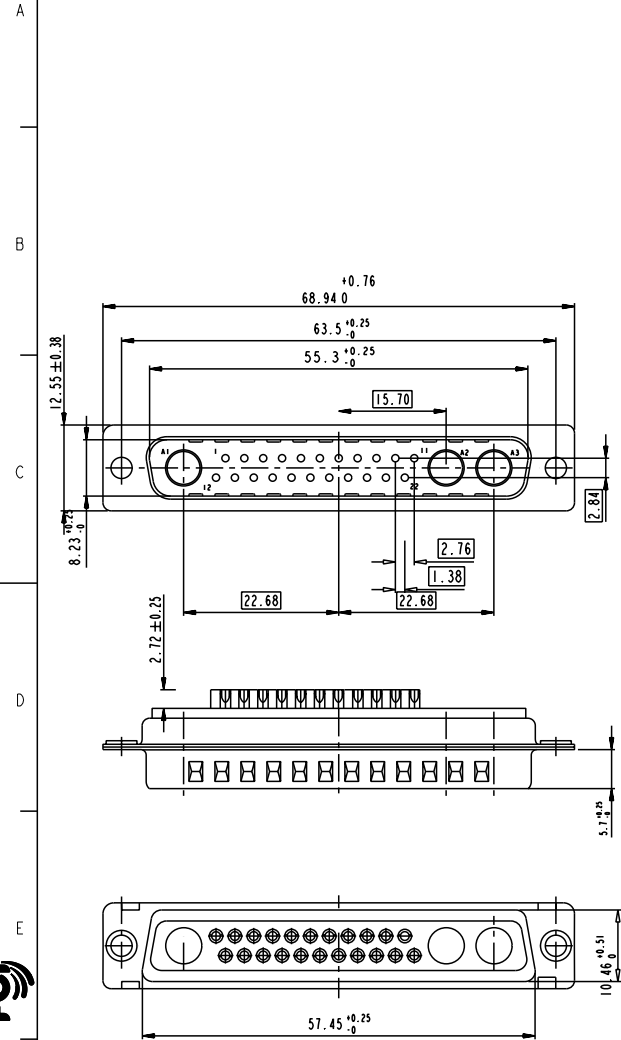
Copyright FCJ

www.fciconnect.com		surface ISO 1302	tolerance std ISO 406 ISO 1101	projection mm
		TOLERANCES UNLESS OTHERWISE SPECIFIED		
Dr M PESSON	2005-10-11	ANGULAR	0.X ±0.3	size A2 Scale 2:1
Eng P LEGARE	2005-10-11	LINEAR	0.XX ±0.1	ECN LS07-0273
Chr		0° ±2°	0.XXX ±0.05	Product family
Appr				Spec ref
FCJ		SUB MALE DW		Rev. D
mixed power+solder bucket		C01-8639-2307		sheet 5 of 7
catalog no		CUSTOMER		

25W3

24W7

SIDE VIEW FOR
LAYOUT: D

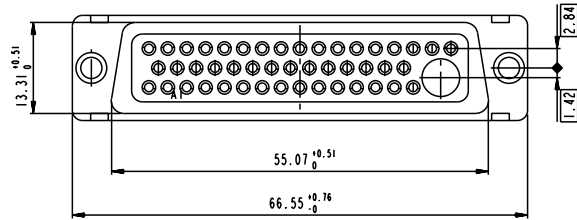
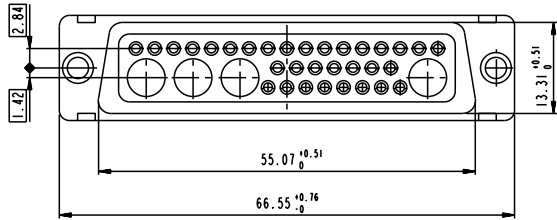
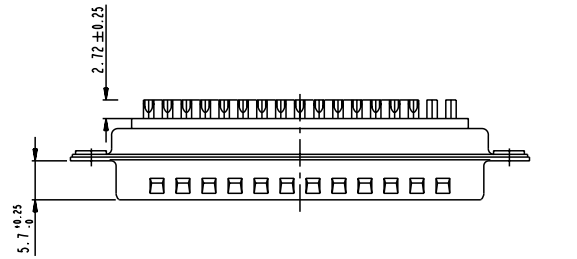
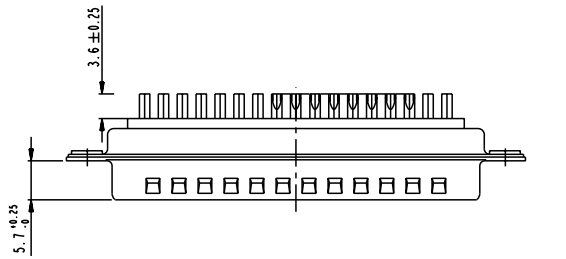
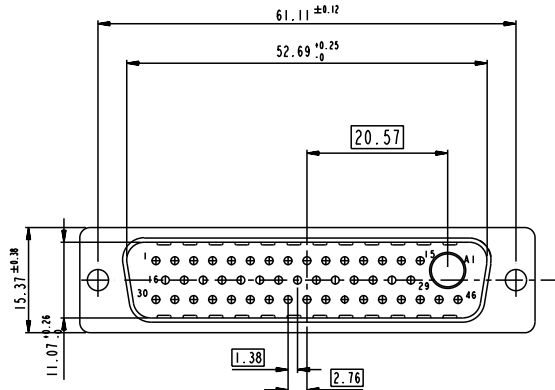
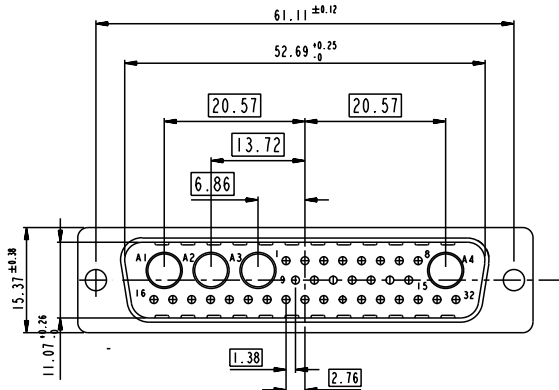


Copyright FCI
FCI

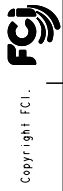
www.fciconnect.com		surface ISO 1302	tolerance std ISO 406 ISO 1101	projection mm
		TOLERANCES UNLESS OTHERWISE SPECIFIED		
Dr M PESSON	2005-10-11	ANGULAR	0.X ±0.3	size A2 Scale 2:1
Eng P LEGARE	2005-10-11	LINEAR	0.XX ±0.1	ECN LS07-0273
Chr		0° ±2°	0.XXX ±0.05	Spec ref
Appr		Product family		
FCI		SUB MALE DW		Rev. D
mixed power+solder bucket		C01-8639-2307		sheet 6 of 7
catalog no		CUSTOMER		

36W4

47W1



Floating signal contacts



Copyright FCI.

www.fciconnect.com		surface ISO 1302	tolerance std ISO 406 ISO 1101	projection mm
		TOLERANCES UNLESS OTHERWISE SPECIFIED		
Dr M PESSON	2005-10-11	ANGULAR	0.X ±0.3	size A2 Scale 2:1
Eng P LEGARE	2005-10-11	LINEAR	0.XX ±0.1	
Chr		0° ±2'	0.XXX ±0.05	ECN LS07-0273
Appr		Product family	-	Spec ref
FCI		SUB MALE DW		Rev. D
mixed power+solder bucket		cat no	C01-8639-2307	
catalog no		CUSTOMER		sheet 7 of 7

Mouser Electronics

Authorized Distributor

Click to View Pricing, Inventory, Delivery & Lifecycle Information:

[FCI / Amphenol:](#)

[DA11W1PA00LF](#) [DA7W2PA00LF](#) [DAL11W1P043A00LF](#) [DAO7W2PA00LF](#) [DB13W3PA00LF](#) [DB17W2PA00LF](#)
[DB21W1PA00LF](#) [DB9W4PA00LF](#) [DBL13W3PA00LF](#) [DBO13W3PA00LF](#) [DBO17W2PA00LF](#) [DC21WA4PA00LF](#)
[DC25W3PA00LF](#) [DC27W2PA00LF](#) [DD24W7PA00LF](#) [DD36W4PA00LF](#) [DA7W2P043A00LF](#) [DAL7W2PA00LF](#)
[DB13W3P043A00LF](#) [DDL24W7PA00LF](#) [DE5W1PA00LF](#) [DD47W1PA00LF](#) [DAO7W2P043A00LF](#)
[DBL9W4P043A00LF](#) [DBO9W4PA00LF](#) [DE5W1P043A00LF](#) [DEL5W1P043A00LF](#) [DDO24W7P043A00LF](#)
[DB17W2P043A00LF](#)