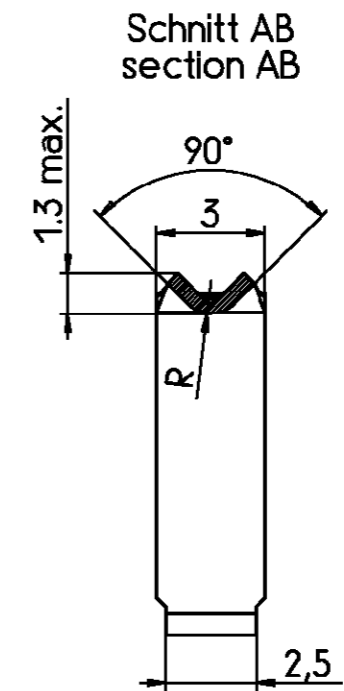
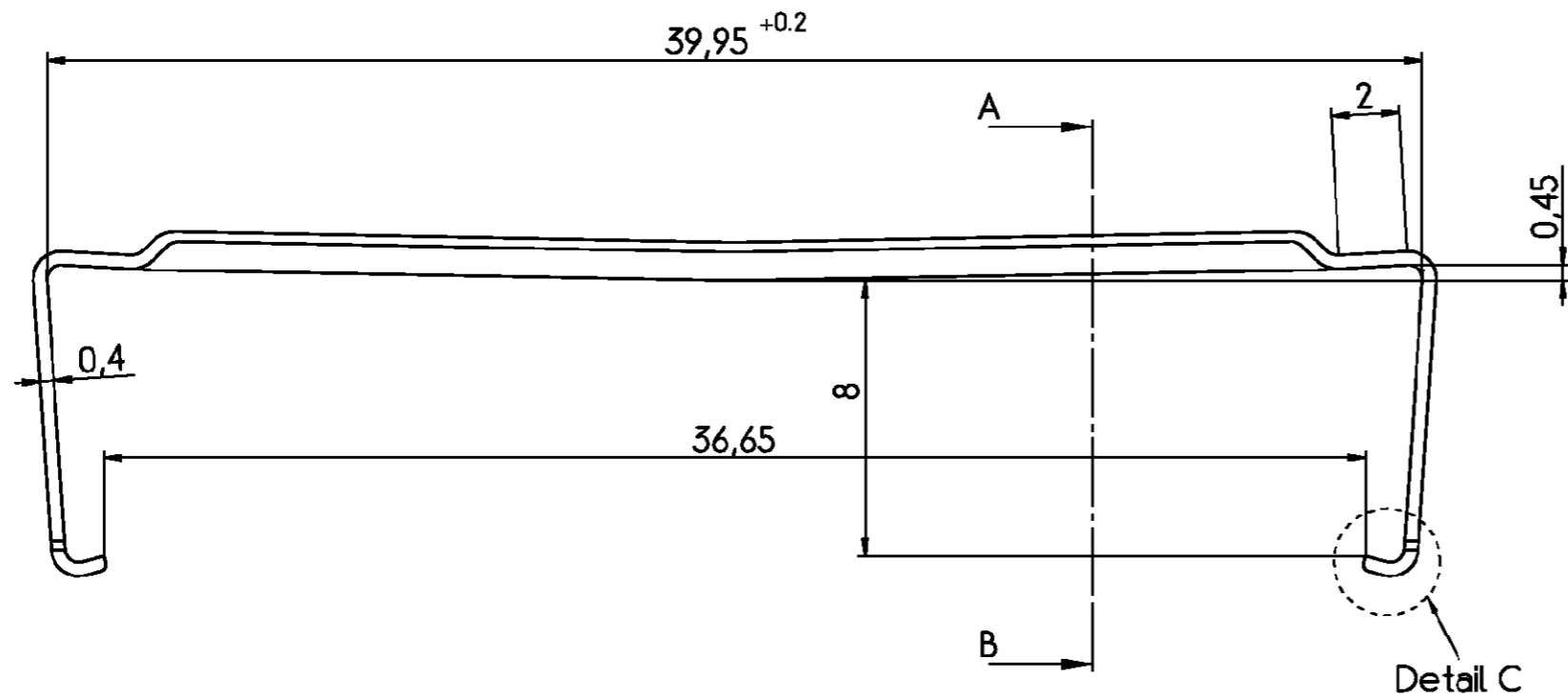
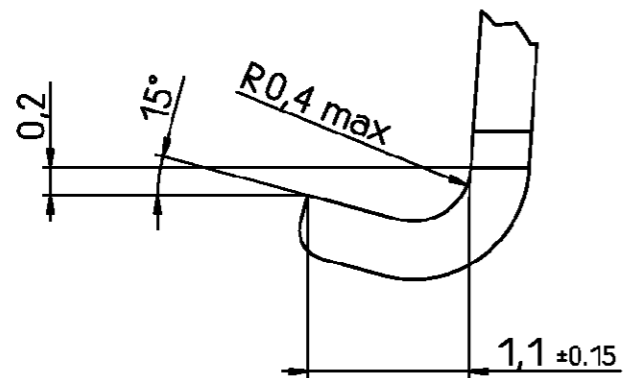


THIS INFORMATION IS CONFIDENTIAL AND PROPRIETARY TO TYCO ELECTRONICS CORPORATION AND ITS WORLDWIDE  
 SUBSIDIARIES AND AFFILIATES. IT MAY NOT BE DISCLOSED TO ANYONE, OTHER THAN TYCO ELECTRONICS PERSONNEL,  
 WITHOUT WRITTEN AUTHORIZATION FROM TYCO ELECTRONICS CORPORATION, HARRISBURG PENNSYLVANIA USA

PROPRIETARY:



Detail C (20:1)



Active part numbers. Contact Tyco Electronics for other configuration availability

Old Part Number	Tyco Part Number
V42254-A4000-D25	4-1393560-6

<b>tyco</b> TYCO ELECTRONICS CORPORATION		SCALE 5:1 (20:1)		WEIGHT	
OOSTKAMP - BELGIUM		DIMENSIONS IN MM		MATERIAL	
LOC GW		DATE 03.02.93		PART NAME	
NAME Sterckx		DEP. PE Com PE&SE		Bügel Sub-D Schneidklemmanschluß	
A WO00/7020		28 AUG 00 KV		25-pol. Ausführung	
01		03.02.93 RST		strain relief clamp D-Sub IDC	
51		03.02.93 RST		25-contacts version	
REV. CHANGE ORDER		DATE APP.		PART NO.	
		Customer Drawing Nr. C 4-1393560-6		V42254-A4000-D25-*27	
		TOLERANCE UNLESS SPECIFIED OTHERWISE ±0.2		SHT. 1-	
				OF 1	

# Mouser Electronics

Authorized Distributor

Click to View Pricing, Inventory, Delivery & Lifecycle Information:

[TE Connectivity:](#)

[4-1393560-6](#)