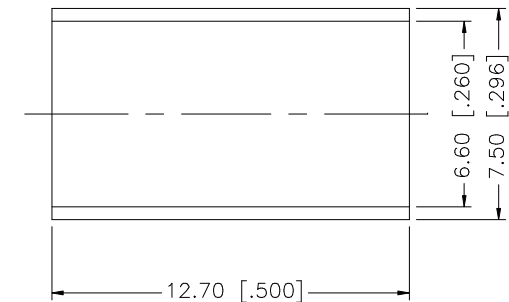
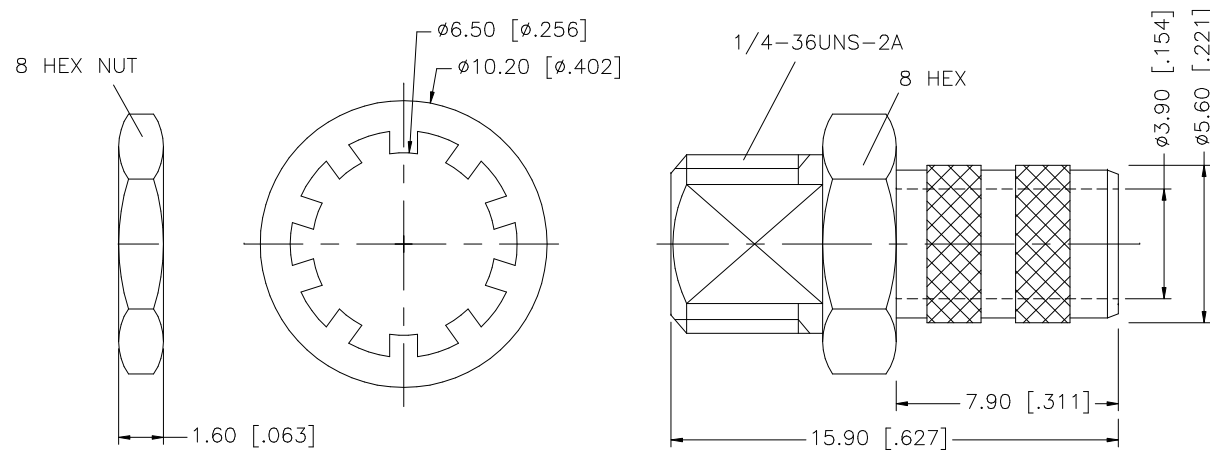
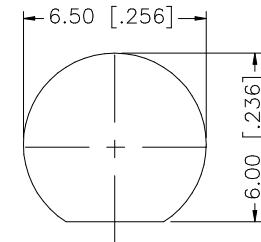
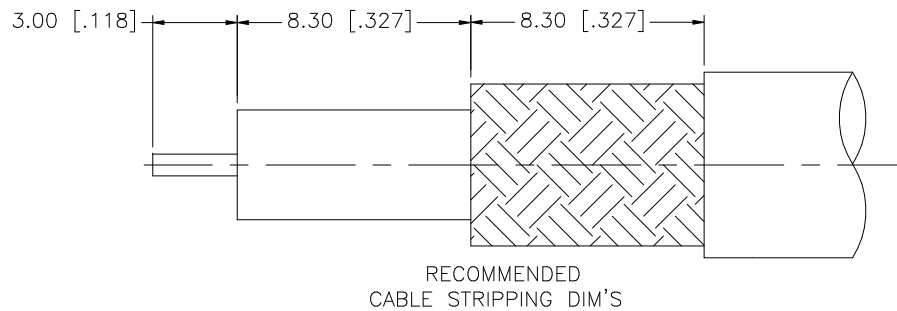


REV.	DATE	DESCRIPTION
NC	03/06/00	INITIAL RELEASE
A	12/15/05	UPDATE DRAWING FORMAT



CRIMP NOTES:

1. CRIMPED FERRULE
HEX CRIMP SIZE .255"

REV.	DATE	DESCRIPTION
8		
7		
6		
5	FERRULE	COPPER NICKEL 1
4	HEX NUT	BRASS NICKEL 1
3	LOCK WASHER	BRASS NICKEL 1
2	INSULATOR	TEFLON NATURAL 1
1	BODY	BRASS NICKEL 1
DESCRIPTION	MATERIAL	FINISH QTY

UNLESS OTHERWISE SPECIFIED DIMENSIONS ARE IN MILLIMETERS. DIMENSIONS IN [] ARE IN INCHES AND FOR CUSTOMER REFERENCE ONLY.				APPROVALS	DATE	<h1 style="color: blue; margin: 0;">Amphenol Connex</h1> <p style="text-align: center; margin: 10px 0;">PART DESCRIPTION BULKHEAD CABLE TERMINATION (FOR RG-59/U, LMR240 CABLE)</p> <p style="text-align: center; margin: 10px 0;">PART NO. 142273</p>		
UNLESS OTHERWISE SPECIFIED TOLERANCES FOR MILLIMETERS ARE: 0.5 - 8mm ± 0.20mm 8 - 30mm ± 0.40mm 30 - 120mm ± 0.50mm				DRAWN G.R.S.	12/15/05			
UNLESS OTHERWISE SPECIFIED TOLERANCES FOR INCHES ARE: .020 - .315 = ± 0.007" .315 - 1.180 = ± 0.015" 1.180 - 4.724 = ± 0.020"				CHECKED				
DO NOT SCALE DRAWING				ISSUED				
				SHEET 1 OF 1				
				CAD FILE	C:/142/142273.DWG	DWG. NO. 142273.DWG		
						REV. A	SIZE A	SCALE NA

Mouser Electronics

Authorized Distributor

Click to View Pricing, Inventory, Delivery & Lifecycle Information:

[Amphenol:](#)

[142273](#)