



## Features

- Split knurled or plain shaft options
- DPDT latching-push switch
- Metal bushing and shaft
- Carbon element
- Linear and audio taper options
- RoHS compliant\*



## PDB185-GTR - 17 mm Guitar Potentiometer w/Latching-Push Switch

### Electrical Characteristics

Taper..... Linear, audio  
 Standard Resistance Range  
 ..... 10K ohms to 1M ohms  
 Standard Resistance Tolerance....±20 %  
 Residual Resistance..... 2 Ω max.

### Environmental Characteristics

Operating Temperature  
 ..... -10 °C to +70 °C  
 Power Rating  
 Linear ..... 0.1 watt  
 Audio ..... 0.05 watt  
 Maximum Operating Voltage  
 Linear ..... 150 V  
 Audio ..... 100 V  
 Sliding Noise..... 47 mV max.  
 Moisture Sensitivity Level ..... 1  
 ESD Classification (HBM)..... N/A

### Mechanical Characteristics

Mechanical Angle ..... 300 ° ±5 °  
 Rotational Torque ..... 20 to 150 g-cm  
 Stop Strength..... 8 kg-cm min.  
 Rotational Life..... 15,000 cycles  
 Switch Life ..... 10,000 actuations  
 Switch Type ..... DPDT  
 Switch Travel ..... 4.0 ± 0.8 mm  
 Switch Operating Force ..... 2 kgf max.  
 Switch Operating Speed..... 1 sec.  
 Soldering Condition  
 Wave ..... 260 °C max., 5 sec. max.  
 Manual ..... 350 °C max., 3 sec. max.  
 Hardware ..... Two flat washers and  
 two mounting nuts supplied per  
 potentiometer

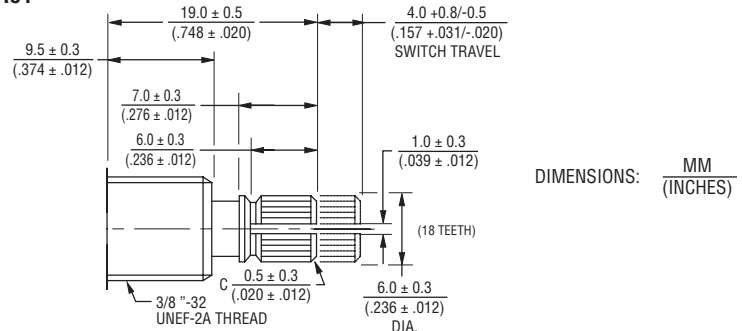
### How To Order

#### PDB185 - GTR 11 - 504 A2

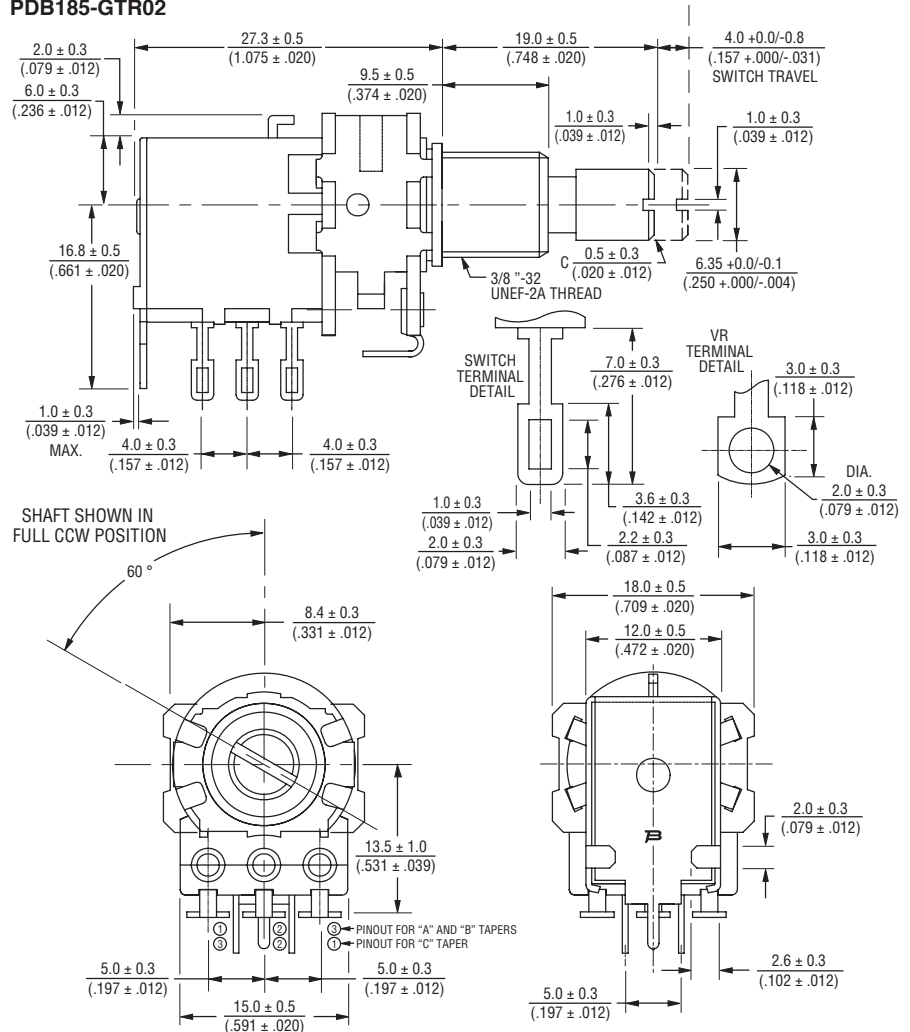
Model \_\_\_\_\_  
 Guitar Pot Designator \_\_\_\_\_  
 Configuration \_\_\_\_\_  
 • 01 = Knurled Shaft (18 Tooth) / Solder Lugs  
 • 02 = Slotted Shaft / Solder Lugs  
 • 04 = Slotted Shaft/PC Pins  
 • 11 = Knurled Shaft (24 Tooth) / Solder Lugs  
 • 13 = Knurled Shaft (24 Tooth) / PC Pins  
 • 31 = Knurled Shaft (18 Tooth) / Solder Lugs, Long Bushing  
 • 32 = Slotted Shaft / Solder Lugs / Long Bushing  
 • 33 = Knurled Shaft (24 Tooth) / Solder Lugs, Long Bushing  
 Resistance Code (See table) \_\_\_\_\_  
 Resistance Taper (See taper charts) \_\_\_\_\_

### Product Dimensions

#### PDB185-GTR01



#### PDB185-GTR02



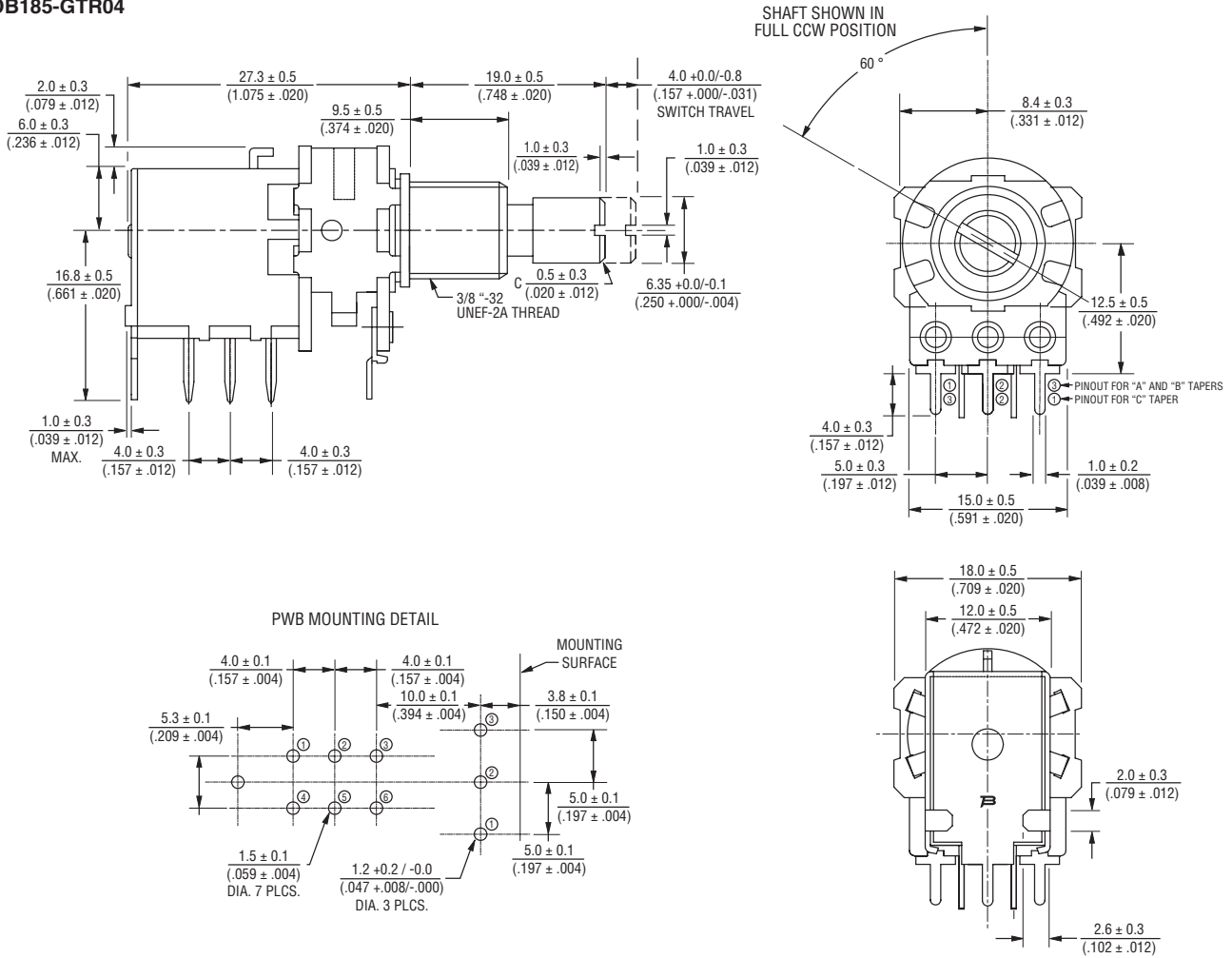
\*RoHS Directive 2002/95/EC Jan. 27, 2003 including annex and RoHS Recast 2011/65/EU June 8, 2011. Specifications are subject to change without notice. The device characteristics and parameters in this data sheet can and do vary in different applications and actual device performance may vary over time. Users should verify actual device performance in their specific applications.

# PDB185-GTR - 17 mm Guitar Potentiometer w/Latching-Push Switch

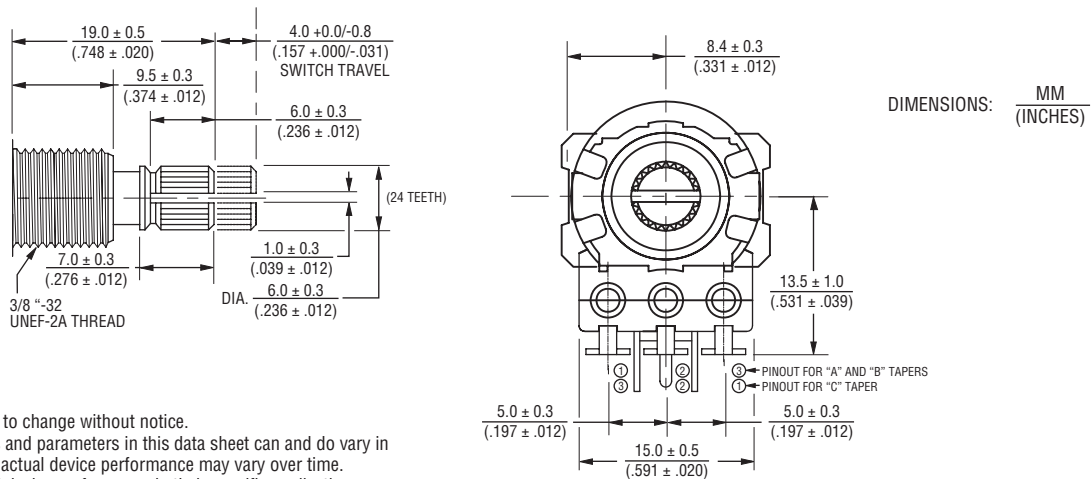
**BOURNS®**

## Product Dimensions (Continued)

### PDB185-GTR04



### PDB185-GTR11, PDB185-GTR13



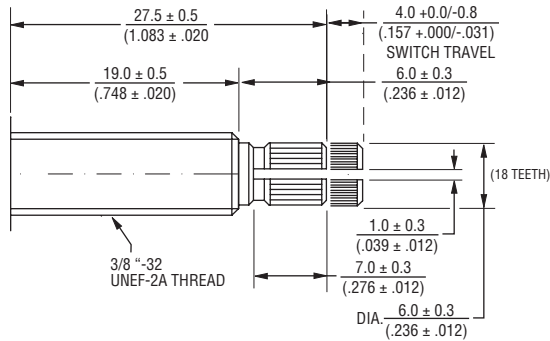
Specifications are subject to change without notice.  
The device characteristics and parameters in this data sheet can and do vary in different applications and actual device performance may vary over time.  
Users should verify actual device performance in their specific applications.

# PDB185-GTR - 17 mm Guitar Potentiometer w/Latching-Push Switch

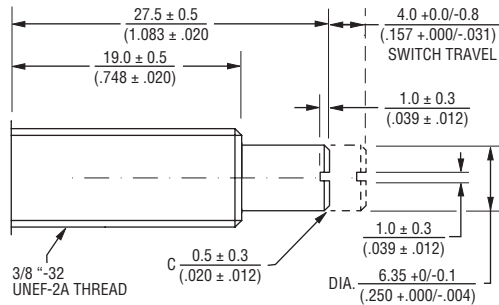


## Product Dimensions (Continued)

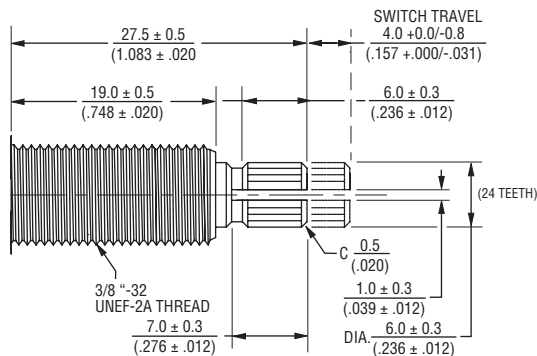
### PDB185-GTR31



### PDB185-GTR32

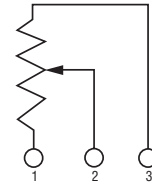


### PDB185-GTR33

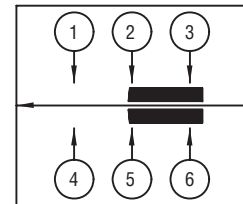


DIMENSIONS:  $\frac{\text{MM}}{\text{(INCHES)}}$

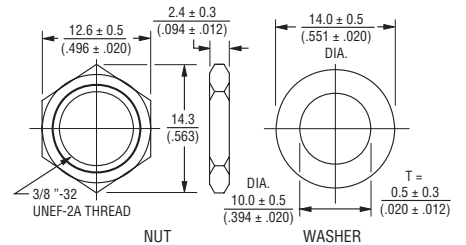
## Circuit



## Switch Circuit



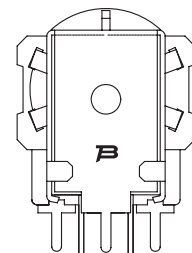
## Hardware



## Standard Resistance Table

| Resistance (Ohms) | Resistance Code |
|-------------------|-----------------|
| 10,000            | 103             |
| 25,000            | 253             |
| 50,000            | 503             |
| 100,000           | 104             |
| 250,000           | 254             |
| 300,000           | 304             |
| 500,000           | 504             |
| 1,000,000         | 105             |

## Typical Part Marking

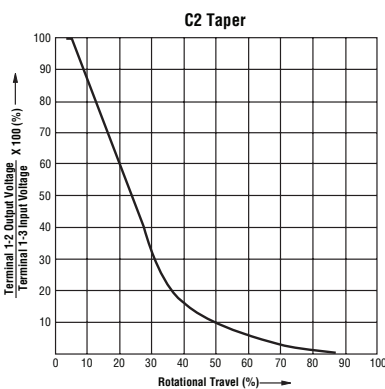
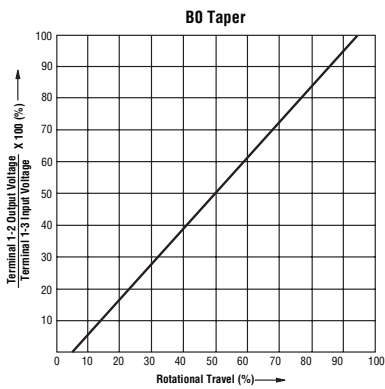
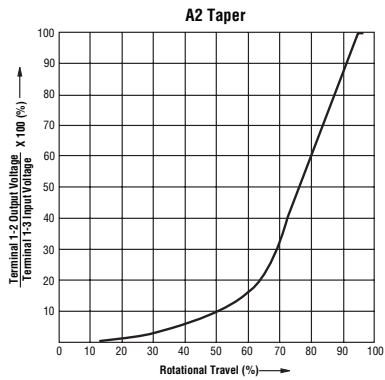


Specifications are subject to change without notice.

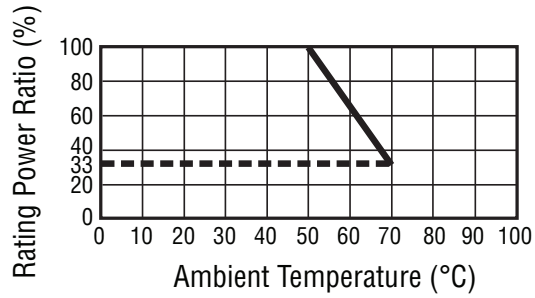
The device characteristics and parameters in this data sheet can and do vary in different applications and actual device performance may vary over time. Users should verify actual device performance in their specific applications.

# PDB185-GTR - 17 mm Guitar Potentiometer w/Latching-Push Switch

## Tapers



## Derating Curve



**BOURNS®**

Asia-Pacific: Tel: +886-2 2562-4117 • Email: asiacus@bourns.com

EMEA: Tel: +36 88 520 390 • Email: eurocus@bourns.com

The Americas: Tel: +1-951 781-5500 • Email: americus@bourns.com

[www.bourns.com](http://www.bourns.com)

REV. 10/17

Specifications are subject to change without notice.

The device characteristics and parameters in this data sheet can and do vary in different applications and actual device performance may vary over time. Users should verify actual device performance in their specific applications.