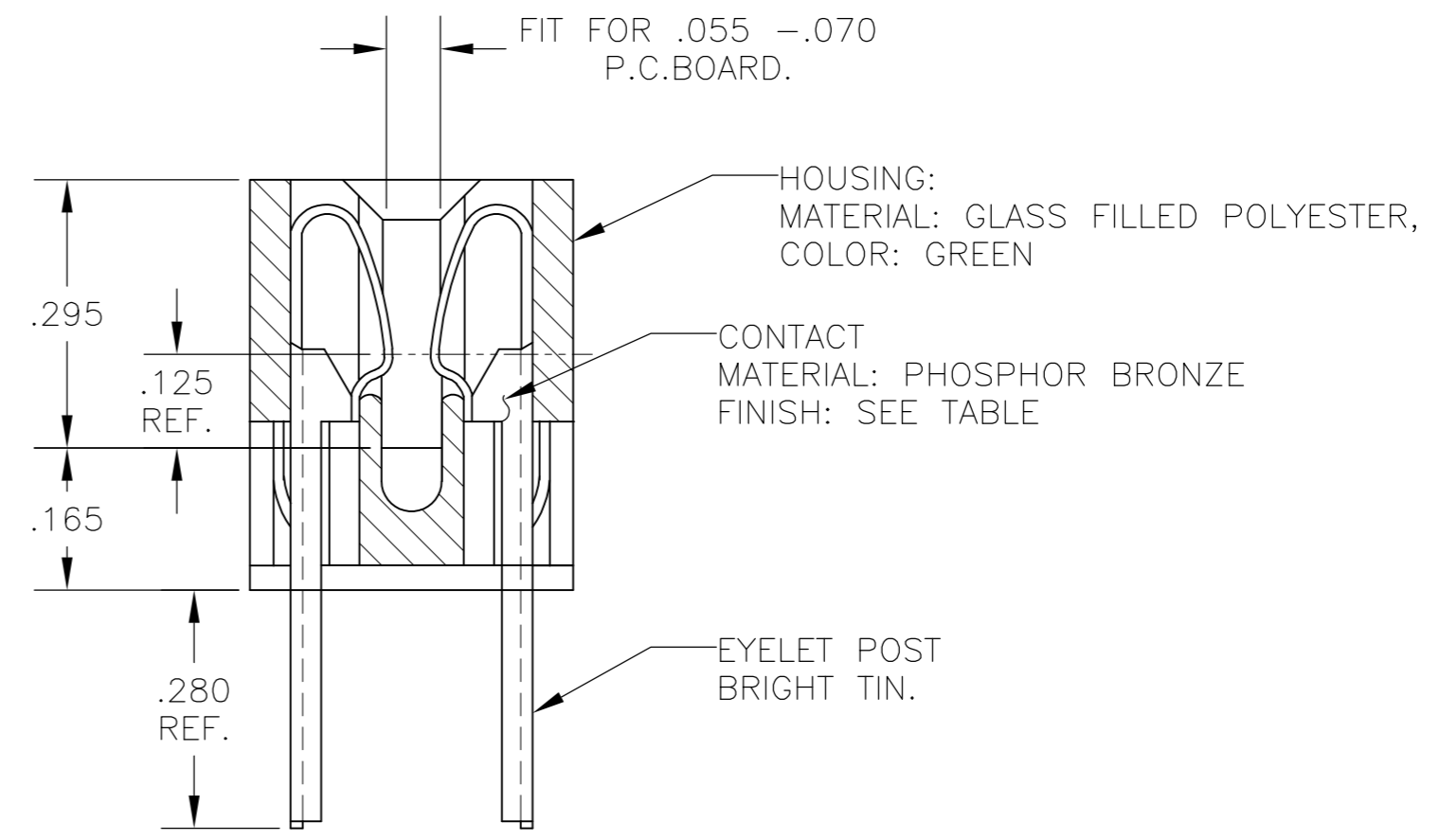
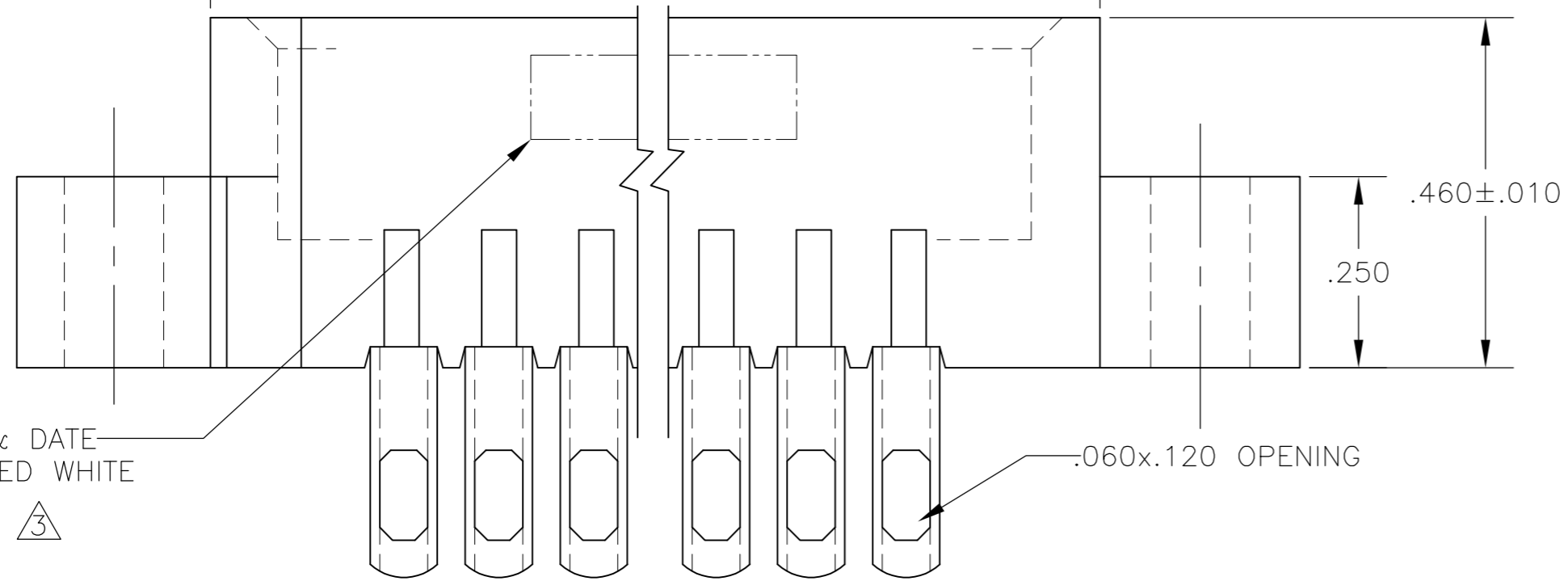
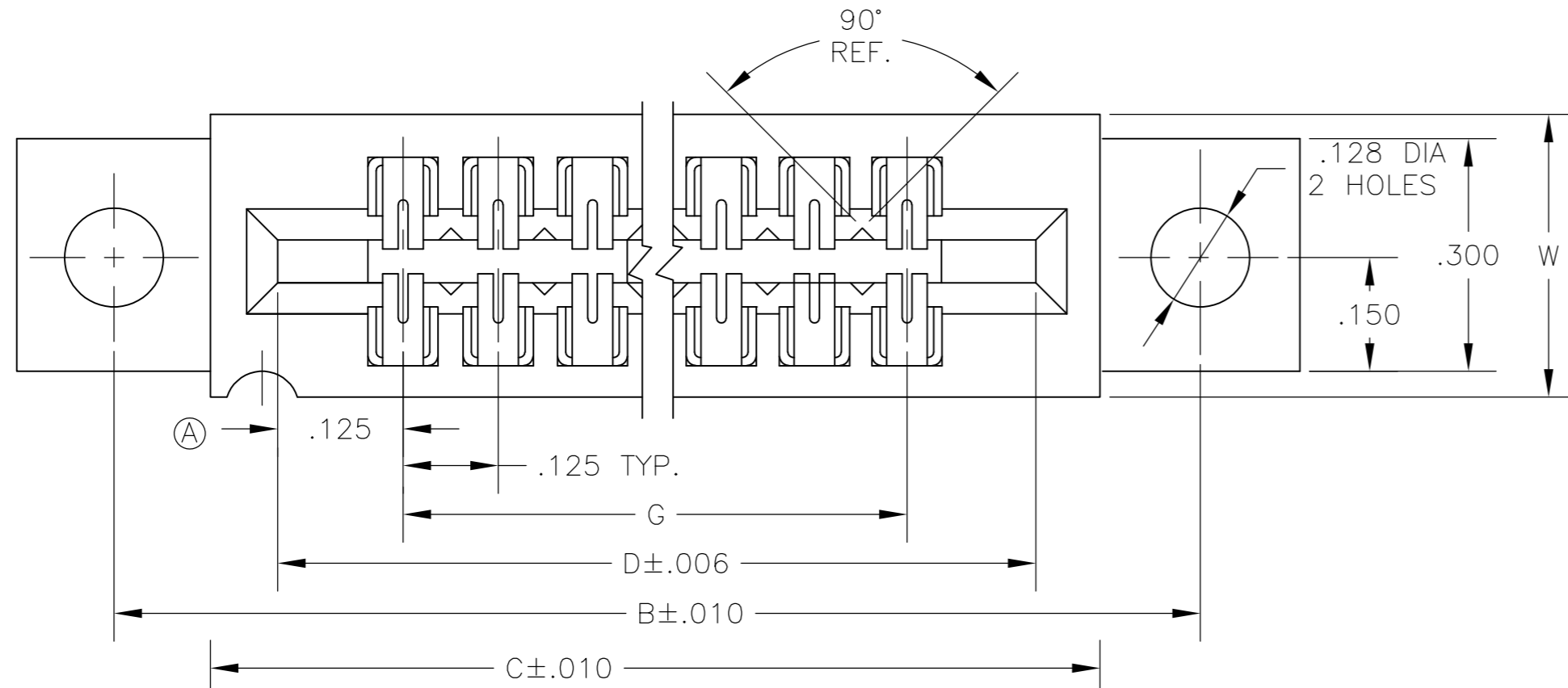
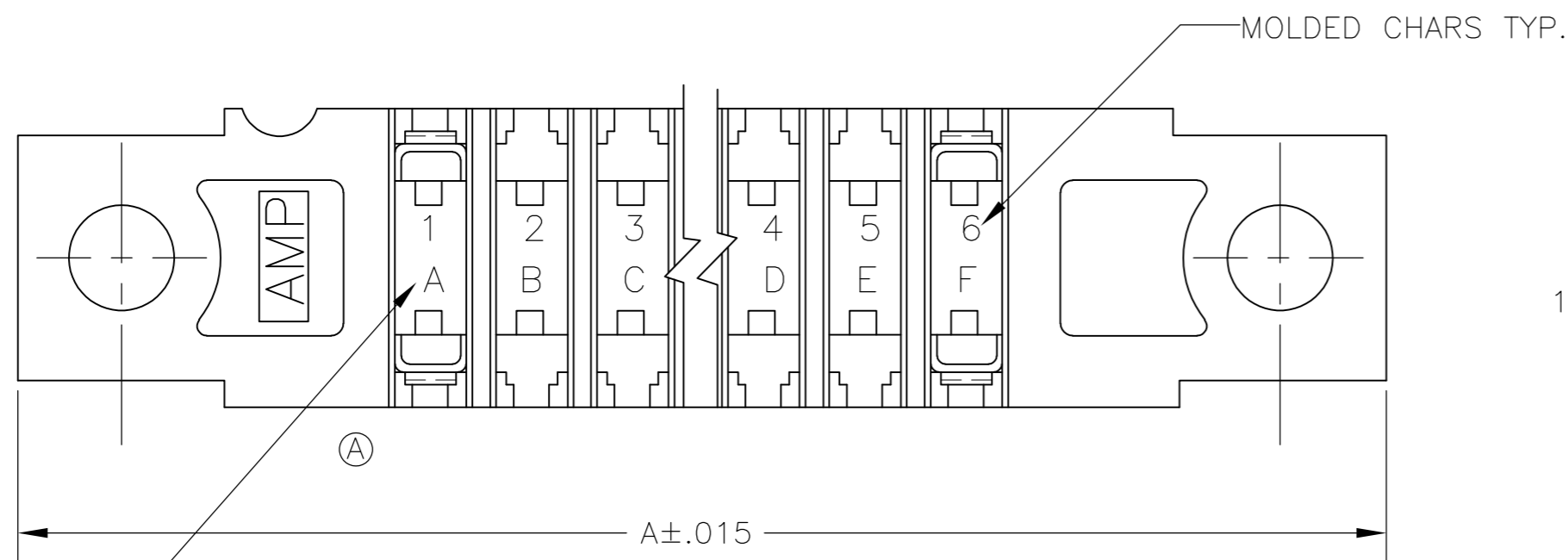


THIS DRAWING IS UNPUBLISHED. RELEASED FOR PUBLICATION  
 © COPYRIGHT BY TYCO ELECTRONICS CORPORATION. ALL RIGHTS RESERVED.

LOC	DIST	REVISIONS			
P	LTR	DESCRIPTION	DATE	DWN	APVD
AD	00	M	ECO-07-012860	24JUL2007	RB MM
		M1	REVISED PER ECO-10-002990	19DEC09	KK HMR



"AMP" PART NO & DATE  
CODE, INK STAMPED WHITE  
OR HOT STAMP  
(NO WHITE TAPE)  $\Delta$   
IN THIS AREA.  
(SIDE OPTIONAL)



MOLDED CHARACTERS (UPPER & LOWER  
CASE LETTERS OMITTING LETTERS  
G,I,O & Q).

1. SLEEVING MAY BE REQUIRED ON ALTERNATE CONTACTS,

SECT A-A

THIS DRAWING IS A CONTROLLED DOCUMENT.		DWN RUMBLE 04APR75	Tyco Electronics Corporation Harrisburg, Pa 17105-3608	
DIMENSIONS: INCHES		CHK RUMBLE 04APR75	NAME R.SHOUMER	
TOLERANCES UNLESS OTHERWISE SPECIFIED:		APVD R.SHOUMER 04APR75	PRODUCT SPEC	
0 PLC ± -		APPLICATION SPEC		
1 PLC ± -		WEIGHT -		
2 PLC ± -		SIZE A2		
3 PLC ± -		CAGE CODE 00779		
4 PLC ± -		DRAWING NO C=530664		
ANGLES ± -		RESTRICTED TO -		
FINISH -		SCALE 5:1 SHEET 1 OF 2 REV M1		
MATERIAL -		CUSTOMER DRAWING		

530664

A

THIS DRAWING IS UNPUBLISHED. RELEASED FOR PUBLICATION  
 © COPYRIGHT BY TYCO ELECTRONICS CORPORATION. ALL RIGHTS RESERVED.

LOC	DIST	REVISIONS					
AD	00	P	LTR	DESCRIPTION	DATE	DWN	APVD
		-		SEE SHEET 1	-	-	-

NOTES:

- 1 .000015 MIN GOLD OVER.00005 MIN. NICKEL IN CONTACT AREA.
- 2 .000030 MIN GOLD OVER.00005 MIN. NICKEL IN CONTACT AREA.
- 3 ALL PARTS ASSEMBLED IN MEXICO MUST BE STAMPED "ASSY IN MEXICO"  
THE WORD "MEXICO" CAN BE SUBSTITUTED ONLY WHERE PART SIZE  
PROHIBITS STAMPING "ASSY IN MEXICO" INK ISSTAMP COLOR WHITE OR HOT  
STAMP (NO WHITE TAPE) 115-9009, APPROX, WHERE SHOWN, SIDE OPTIONAL,
- 4 MATTE TIN PLATED CONTACT TAILS.
- 5 OBSOLETE PARTS: OBSOLETE CIS STREAMLINING PER D.RENAUD/D.SINISI

4	5	OBSOLETE	8-530664-2	6.125	.437	6.375	6.535	6.795	7.055	50	-
4	5	OBSOLETE	8-530664-0	4.875	.437	5.125	5.285	5.545	5.805	40	-
4	5	OBSOLETE	7-530664-6	3.375	.437	3.625	3.785	4.045	4.305	28	-
4	5	OBSOLETE	7-530664-5	2.625	.437	2.875	3.035	3.295	3.555	22	-
	4		7-530664-3	1.750	.437	2.000	2.160	2.420	2.680	15	-
		OBSOLETE	3-530664-2	6.125	.437	6.375	6.535	6.795	7.055	50	1-530664-2
		OBSOLETE	3-530664-1	5.250	.437	5.500	5.660	5.920	6.180	43	1-530664-1
		OBSOLETE	3-530664-0	4.875	.437	5.125	5.285	5.545	5.805	40	1-530664-0
		OBSOLETE	2-530664-9	4.375	.370	4.625	4.785	5.045	5.305	36	530664-9
		OBSOLETE	2-530664-8	3.750	↑	4.000	4.160	4.420	4.680	31	530664-8
		OBSOLETE	2-530664-7	3.625		3.875	4.035	4.295	4.555	30	530664-7
	5	OBSOLETE	2-530664-6	3.375		3.625	3.785	4.045	4.305	28	530664-6
		OBSOLETE	2-530664-5	2.625		2.875	3.035	3.295	3.555	22	530664-5
		OBSOLETE	2-530664-4	2.125		2.375	2.535	2.795	3.055	18	530664-4
		OBSOLETE	2-530664-3	1.750		2.000	2.160	2.420	2.680	15	530664-3
		OBSOLETE	2-530664-2	1.125	↓	1.375	1.535	1.795	2.055	10	530664-2
		OBSOLETE	2-530664-1	6.25	.370	8.75	1.035	1.295	1.555	6	530664-1

PART NO.	2	G	W	D	C	B	A	NO.POS	PART NO.	1
----------	---	---	---	---	---	---	---	--------	----------	---

THIS DRAWING IS A CONTROLLED DOCUMENT.		DWN	04APR75	Tyco Electronics Corporation Harrisburg, Pa 17105-3608
		CHK	04APR75	
DIMENSIONS: INCHES		TOLERANCES UNLESS OTHERWISE SPECIFIED:		NAME HOUSING ASS'Y LOW PROFILE EDGE CONNECTOR, WITHSOLDER EYELET .125 CENTERS.
		0 PLC	± -	
		1 PLC	± -	
		2 PLC	± -	
		3 PLC	± -	
		4 PLC	± -	
		ANGLES	± -	
MATERIAL		FINISH		SIZE A2
				CAGE CODE 00779
				DRAWING NO C=530664
				RESTRICTED TO -
		CUSTOMER DRAWING		SCALE 1:1
				SHEET 2 OF 2
				REV M1

530664

B

A

# Mouser Electronics

Authorized Distributor

Click to View Pricing, Inventory, Delivery & Lifecycle Information:

[TE Connectivity:](#)

[7-530664-3](#)