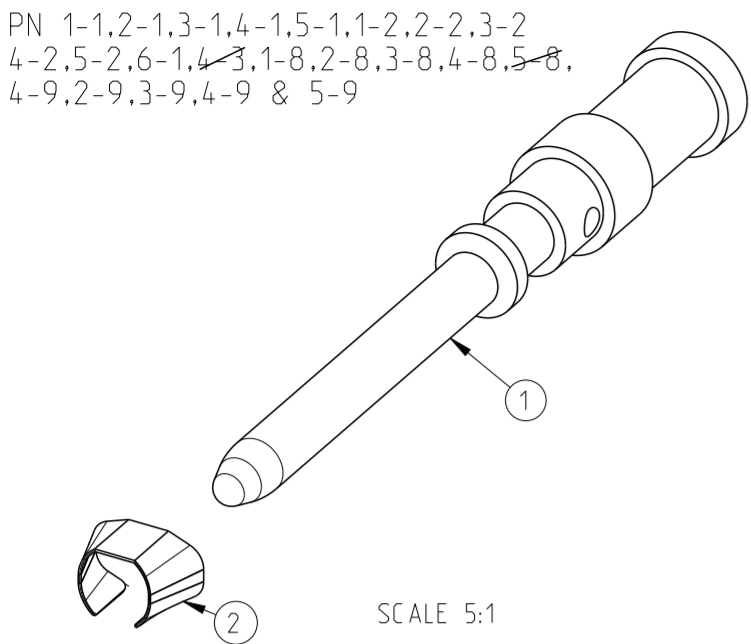
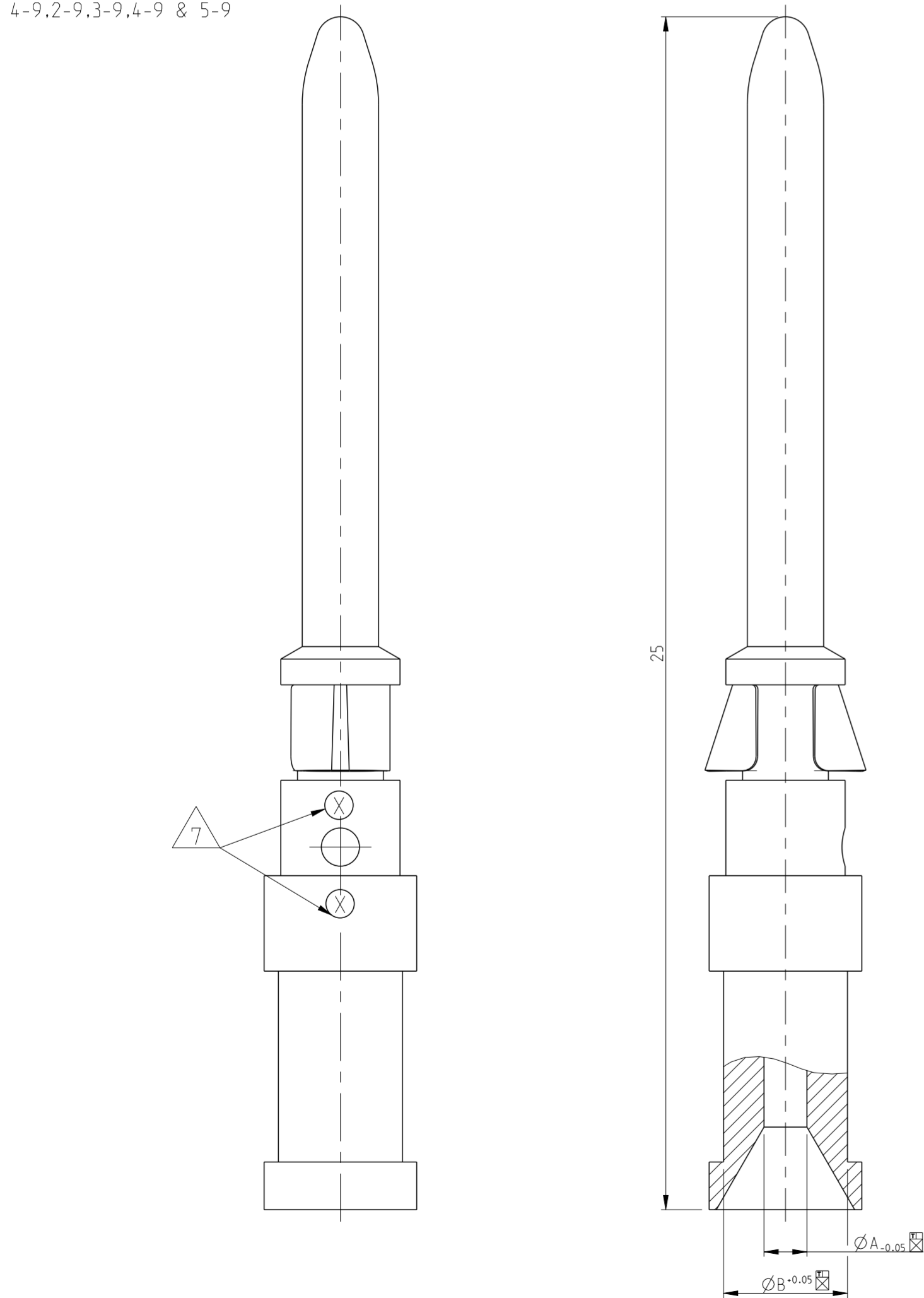


THIS DRAWING IS UNPUBLISHED. RELEASED FOR PUBLICATION 1997
 © COPYRIGHT 1997 ALL RIGHTS RESERVED.

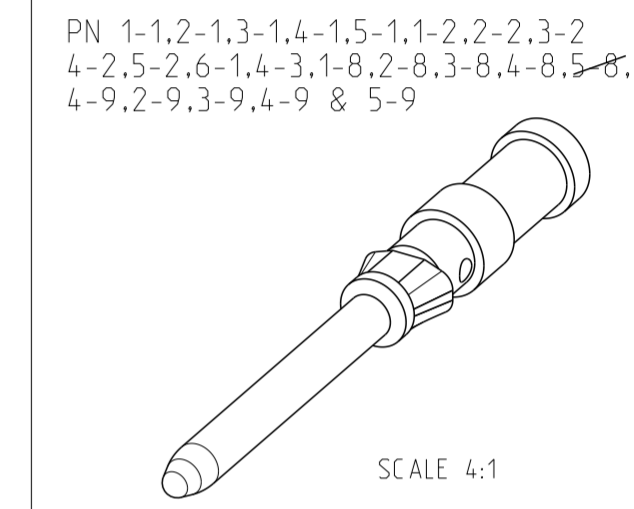
LOC	DIST	REVISIONS					
		P	LTR	DESCRIPTION	DATE	DWN	APVD
A1	-	B13		Released As per ECR-09-005436	9-Mar-2009	CJ	TS
		B14		ECR-11-002636	05APR2011	SR	AR
		B15		REVISED PER ECR-16-016780	19AUG2017	NG	MKO



PN 1-1.2-1.3-1.4-1.5-1.1-2.2-2.3-2
 4-2.5-2.6-1.4-3.1-8.2-8.3-8.4-8.5-8,
 4-9.2-9.3-9.4-9 & 5-9



- NOTES
- 1 MATERIAL SEE TABLE
 - 2 SURFACE SEE TABLE
 - 3 ASSEMBLY WEIGHT SEE TABLE
 - 4 PACKAGING: 50 PIECES IN POLY-BAG 0-1243085-8
 - 5 PACKAGING: 500 PIECES IN POLY-BAG 0-1243085-8
 - 6 PACKAGING: 10 PIECES IN POLY-BAG 0-1243085-8
 - 7 CROSS-SECTION MARKING



QTY	DESCRIPTION	WEIGHT IN (KG)	MATERIAL	SURFACE	ϕA	ϕB	CROSS SECTION MARKING	POS
1	Catch Spring		Stainless Steel					2
1	Pin Contact 1.5 mm ²	0.00062	Ms/Brass	Ag/Ni	1.8	3.0	4	
1	Pin Contact 4.0 mm ²	0.00059	Ms/Brass	Ag/Ni	2.4	3.2	6	
1	Pin Contact 2.5 mm ²	0.00067	Ms/Brass	Au	2.2	3.2	5	
1	Pin Contact 1.5 mm ²	0.00067	Ms/Brass	Au	1.8	3.0	4	
1	Pin Contact 0.75-10 mm ²	0.00063	Ms/Brass	Au	1.45	2.6	3	
1	Pin Contact 0.5 mm ²	0.00062	Ms/Brass	Au	1.1	2.6	2	
1	Pin Contact 0.14-0.37 mm ²	0.00061	Ms/Brass	Au	0.9	2.6	1	
1	Pin Contact 2.5 mm ²	0.00065	Ms/Brass	Ag/Cu	2.2	3.2	5	1
1	Pin Contact 1.5 mm ²	0.00067	Ms/Brass	Ag/Cu	1.8	3.0	4	
1	Pin Contact 0.75-10 mm ²	0.00063	Ms/Brass	Ag/Cu	1.45	2.6	3	
1	Pin Contact 0.5 mm ²	0.00062	Ms/Brass	Ag/Cu	1.1	2.6	2	
1	Pin Contact 0.14-0.37 mm ²	0.00061	Ms/Brass		0.9	2.6	1	
1	Pin Contact 0.14-0.37 mm ²	0.00065	Fe	Au	0.9	2.6	1	
1	Pin Contact 0.14-0.37 mm ²	0.00067	Ms/Brass	Ag/Cu	0.9	2.6	1	

THIS DRAWING IS A CONTROLLED DOCUMENT.

DWN: Braun 23.07.1997
 CHK: Schurpfeil 23.07.1997
 APVD: -

NAME: PIN CONTACT SERIES HN.D

PRODUCT SPEC: 108-74018
 APPLICATION SPEC: 114-74015

SIZE: A2
 CAGE CODE: 00779
 DRAWING NO: C-1105050
 RESTRICTED TO: -

WEIGHT: -

CUSTOMER DRAWING SCALE: 10:1 SHEET: 1 OF 1 REV: B15

Mouser Electronics

Authorized Distributor

Click to View Pricing, Inventory, Delivery & Lifecycle Information:

[TE Connectivity:](#)

[2-1105050-1](#)