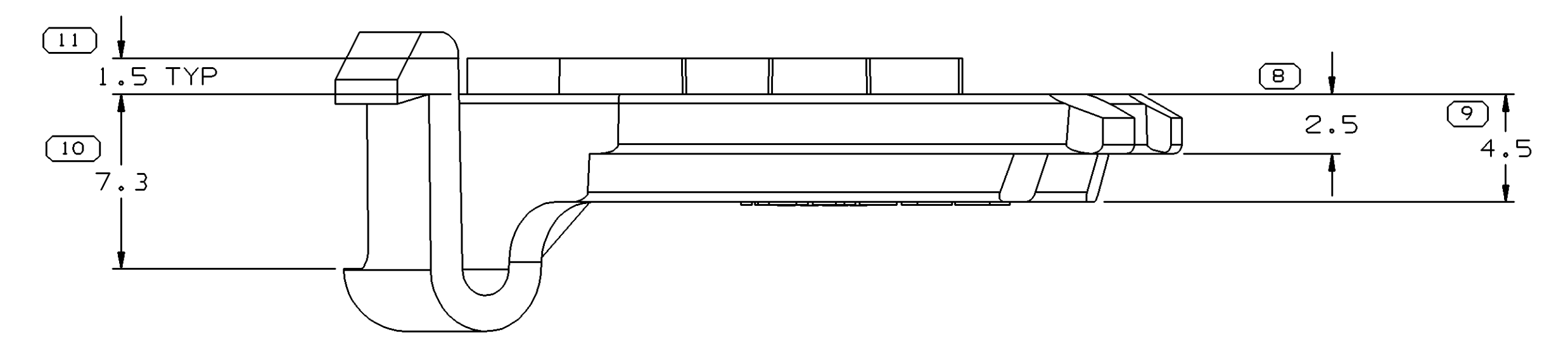
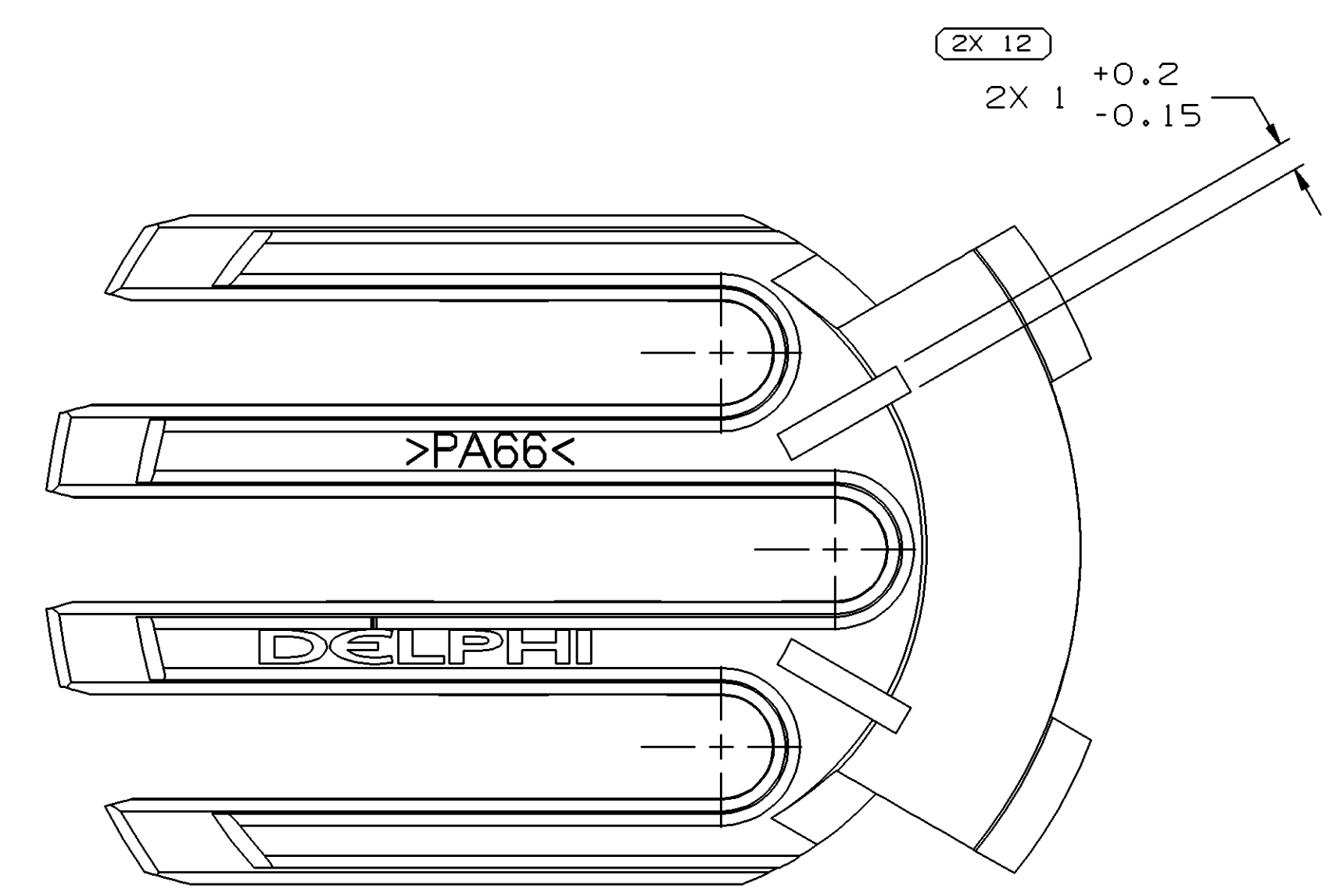
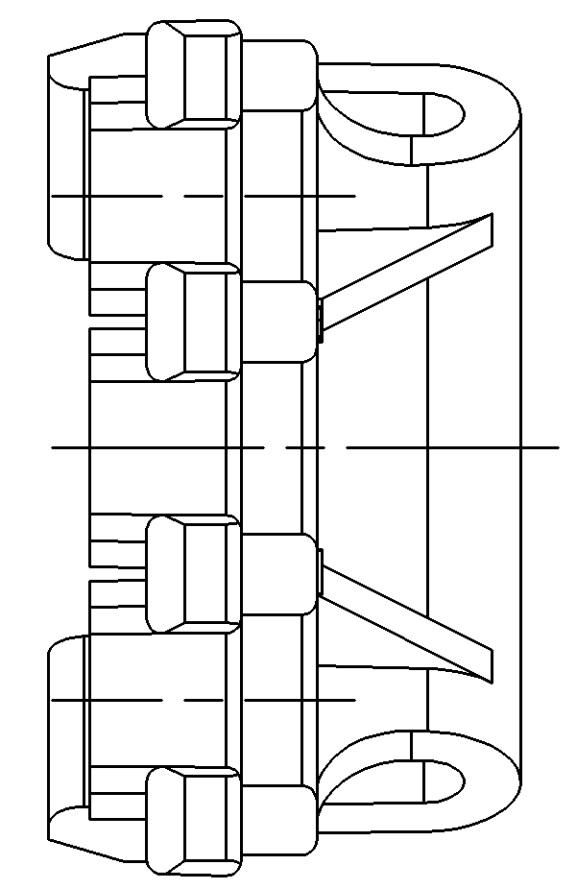
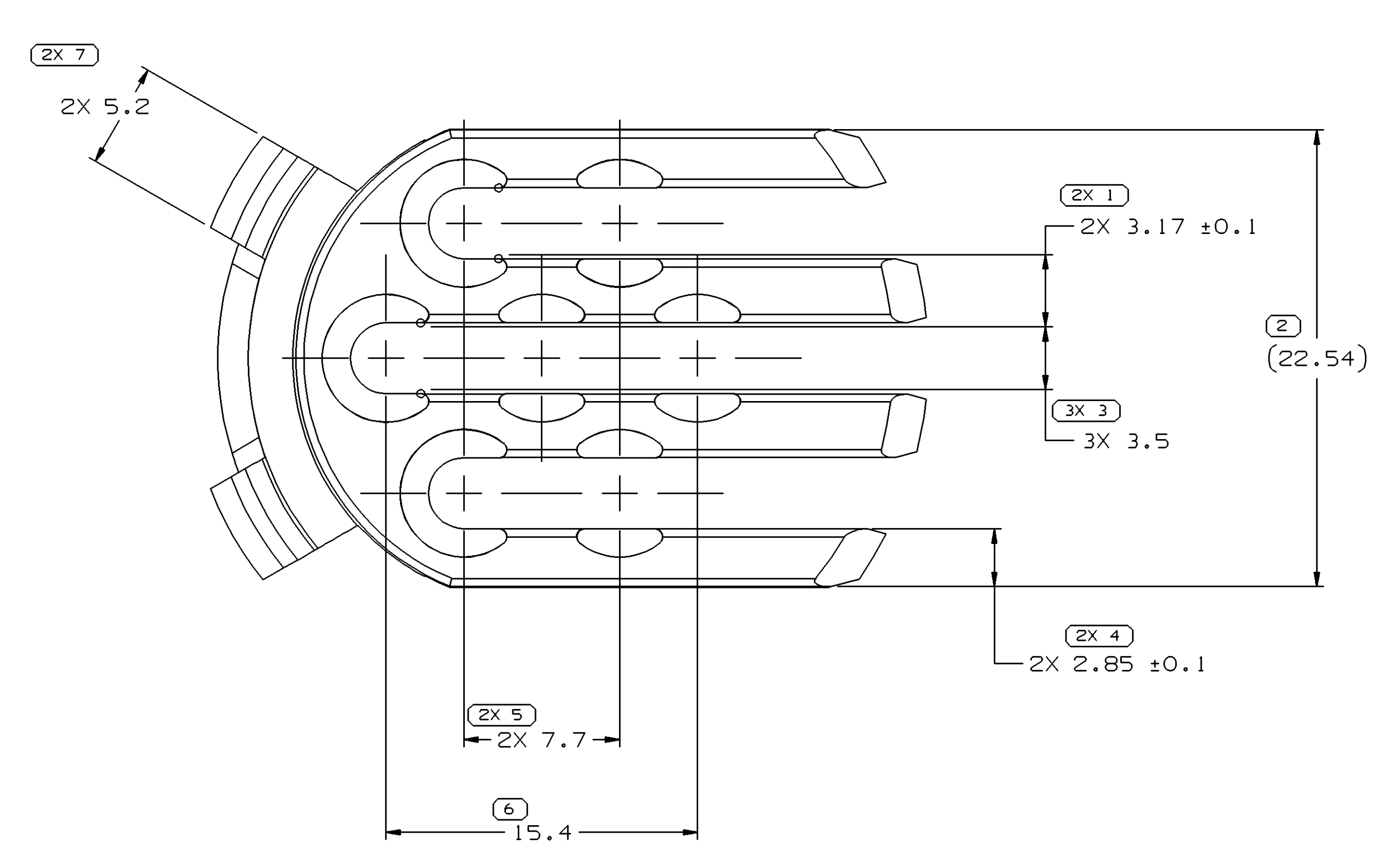


SYMBOL DEFINITION		TOTAL NO OF INSPECTIONS REQUIRED	
A DIMENSION WITHOUT AN INSPECTION REPORT SYMBOL DOES NOT REQUIRE INSPECTION. IT MAY BE CONTROLLED ON THE INDIVIDUAL COMPONENT DRAWING.	()	19	
		LAST NO. USED	12

MISSING SYMBOLS				REVISION HISTORY				AUTH	DR	APVD	APVD
DATE	STG	REV	N/P	CHG	ZONE						
28N001	R	05	-	-		REDRAWN TO PD, MAT'L SPEC WAS R0063785 AND REVISED LOGO	217704	RH	RCH	RC	
22AP04	R	05	AA	-		DIM. 1 WAS 6X MOVED TO FRONT VIEW, DIM. 3 WAS 7X MOVED TO FRONT VIEW, DIM. 4 WAS 2X MOVED TO FRONT VIEW, DIM. 2 MOVED TO FRONT VIEW.	254713	LMB	LMB	TM	



- NOTES
- UNLESS OTHERWISE SPECIFIED AND/OR INDICATED: DIMENSIONS ARE TO FACE OF VIEW SHOWN AND AUTOMATICALLY ROUNDED BY COMPUTER FOR INSPECTION (SEE MATH MODEL FOR PRECISE DIMENSIONS). FOR ALL OTHER DIMENSIONS NOT SHOWN BUT REQUIRED FOR TOOL BUILD, SEE MATH MODEL FOR PRECISE TOOL PATH DATA.
 - THIS PART IS NOT CONTROLLED FOR AUTOMATIC FEEDING.
 - MATING COMPONENTS OR EQUIVALENT: CONNECTOR 12110750 & 12110753
 - MATERIAL RECYCLING CODE >PA66< PER SAE J1344. (2.31X(0.1) RAISED CHARACTERS AS SHOWN TO BE LOCATED ON ANY EXTERIOR SURFACE. OPTIONAL CONSTRUCTION TO BE NO MATERIAL RECYCLING CODE.
 - (2.31X(0.1) RAISED DELPHI CORPORATE BRAND TO BE LOCATED ON ANY EXTERIOR SURFACE, PREFERABLY VISIBLE AT FINAL ASSEMBLY. OPTIONAL CONSTRUCTION TO BE "PED" OR NO LOGO.

DIMENSIONAL RANGE (MM)	TOLERANCE (UNLESS OTHERWISE SPECIFIED)	CHART ET
FROM > 0	> 0.15	1
TO > 20	> 0.2	2
> 30	> 0.3	3
> 70	> 0.4	4
> 100	> 0.5	5
> 150	> 0.6	6
> 200	> 0.8	7
> 250	> 1.0	8
> 300	> 1.2	9
> 400	> 1.5	10

DELPHI DELPHI PACKARD ELECTRIC SYSTEMS WARREN, OH	
DRW TYPE: PART DRAWING STYLE: 1,943 ROUTING: 6900	DISTR CODE: D UNLESS OTHERWISE SPECIFIED THIS DOCUMENT IS IN ACCORDANCE WITH ASME Y14.5M-1994 AS AMENDED BY THE 2003 DIMENSIONING AND TOLERANCING ADDENDUM - 1997. ALL GEOMETRIC TOLERANCES AND RELATED DATUM APPL. TO ALL DIMENSIONS UNLESS OTHERWISE SPECIFIED. MNCI DOES NOT APPLY WHEN RELATIONSHIP BETWEEN FEATURES IS ESTABLISHED BY ORIENTATION OR LOCATION TOLERANCES. SEPARATE POSITION CALLOUTS MAY BE GAGED SEPARATELY, REGARDLESS OF DATUM REFERENCE. ALL DIMENSIONS ARE IN MILLIMETERS.
OR: APVD1 R. HERMOSILLO APVD2 R. CHACON APVD3 R. CORZAS APVD4 APVD5	DATE: 1,943 08FE02 11FE02 SUBSTANCES OF CONCERN AND RECYCLED CONTENT PER DELPHI 10949001
REFERENCE:	DRAWING NAME: LOCK TPA M/P 280 7 GRA LT DRAWING NUMBER: 12110754
THIRD ANGLE PROJECTION DO NOT SCALE USE MATH DATA	SIZE: AO SCALE: 5:1 FRAME NO: 1 OF 1 SHEET NO: 1 OF 1 STG REV: R 05 AA

Mouser Electronics

Authorized Distributor

Click to View Pricing, Inventory, Delivery & Lifecycle Information:

[Aptiv:](#)

[12110754](#)