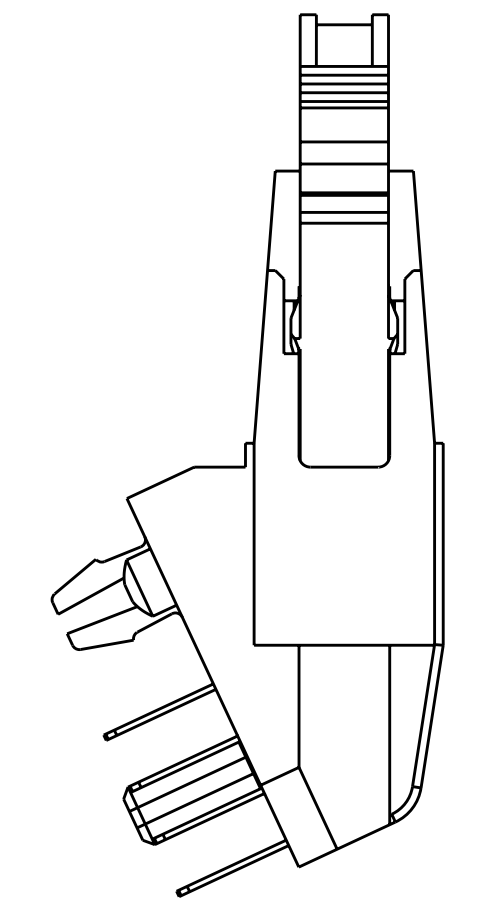
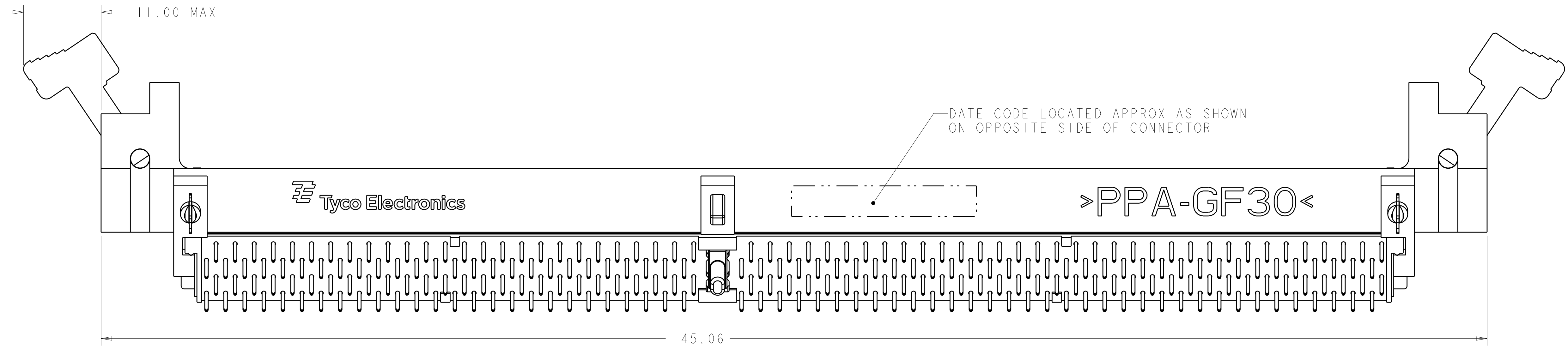
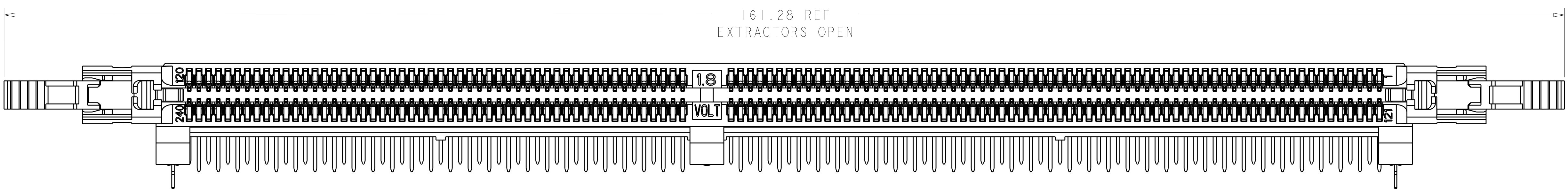
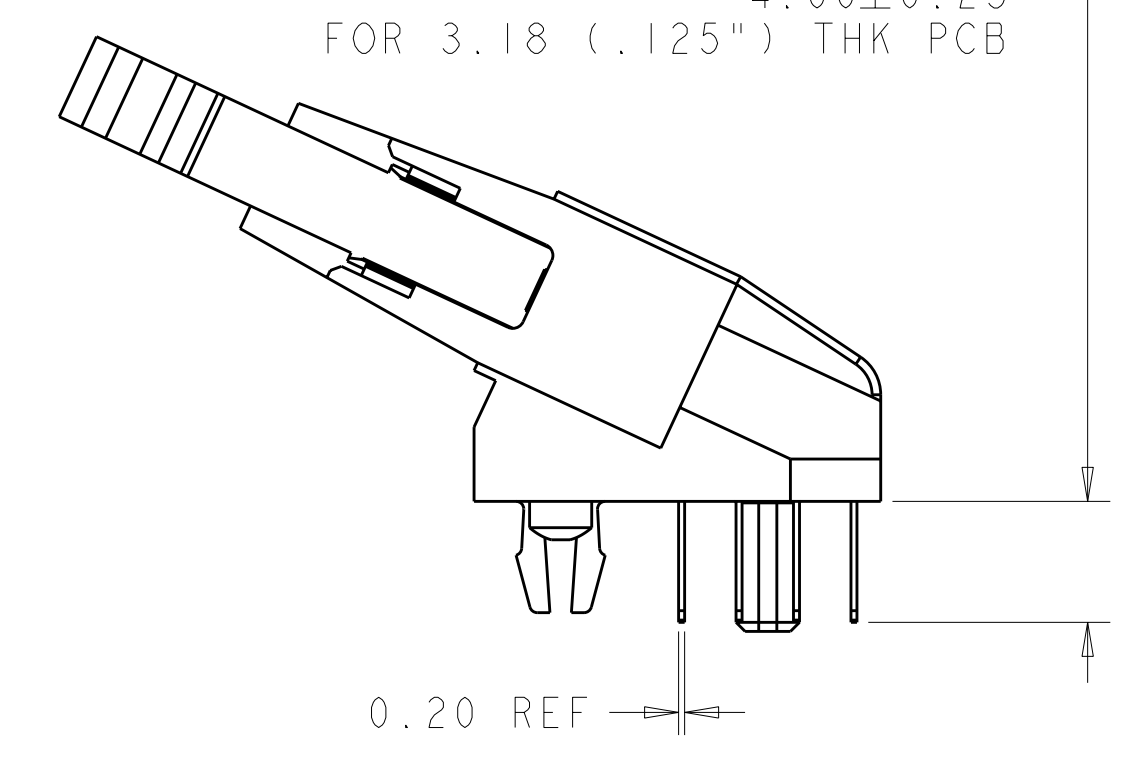
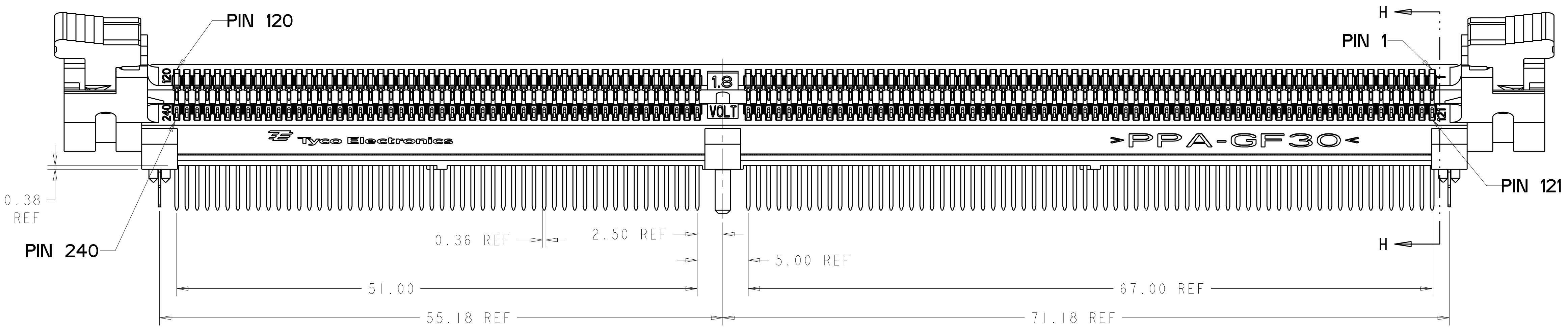


| LOC | DIST | REV | DATE    | BY   | APPD |
|-----|------|-----|---------|------|------|
| ES  | 00   | A2  | 12JUL10 | D.S. | S.Y. |



TAIL LENGTHS

- 2.67±0.25 FOR 1.60 (.063") THK PCB
- 3.18±0.25 FOR 2.36 (.093") THK PCB
- 4.00±0.25 FOR 3.18 (.125") THK PCB



1 MATERIALS:  
 HOUSING: HIGH TEMPERATURE THERMOPLASTIC, BLACK, UL94 V-0  
 EXTRACTOR: HIGH TEMPERATURE THERMOPLASTIC, NATURAL (OFF WHITE)  
 CONTACTS: COPPER ALLOY  
 RETENTION BARB: COPPER ALLOY

2 INTERFACE FINISH:  
 0.00076 MIN THK GOLD OVER 0.00127 MIN THK NICKEL.  
 0.00038 MIN THK GOLD OVER 0.00127 MIN THK NICKEL.

3 SOLDER TAIL FINISH:  
 0.00300 MIN THK MATTE LEAD FREE PLATING OVER 0.00127 MIN THK NICKEL.

4 RIGHT HOLE IS GLOBAL D-E ORIGIN FOR ALL POSITIONAL TOLERANCES.  
 LEFT AND RIGHT NON-PLATED THRU HOLES ESTABLISH [-E-].

5 FINISHED HOLE SIZE. Ø0.15 MAXIMUM ANNULAR RING.

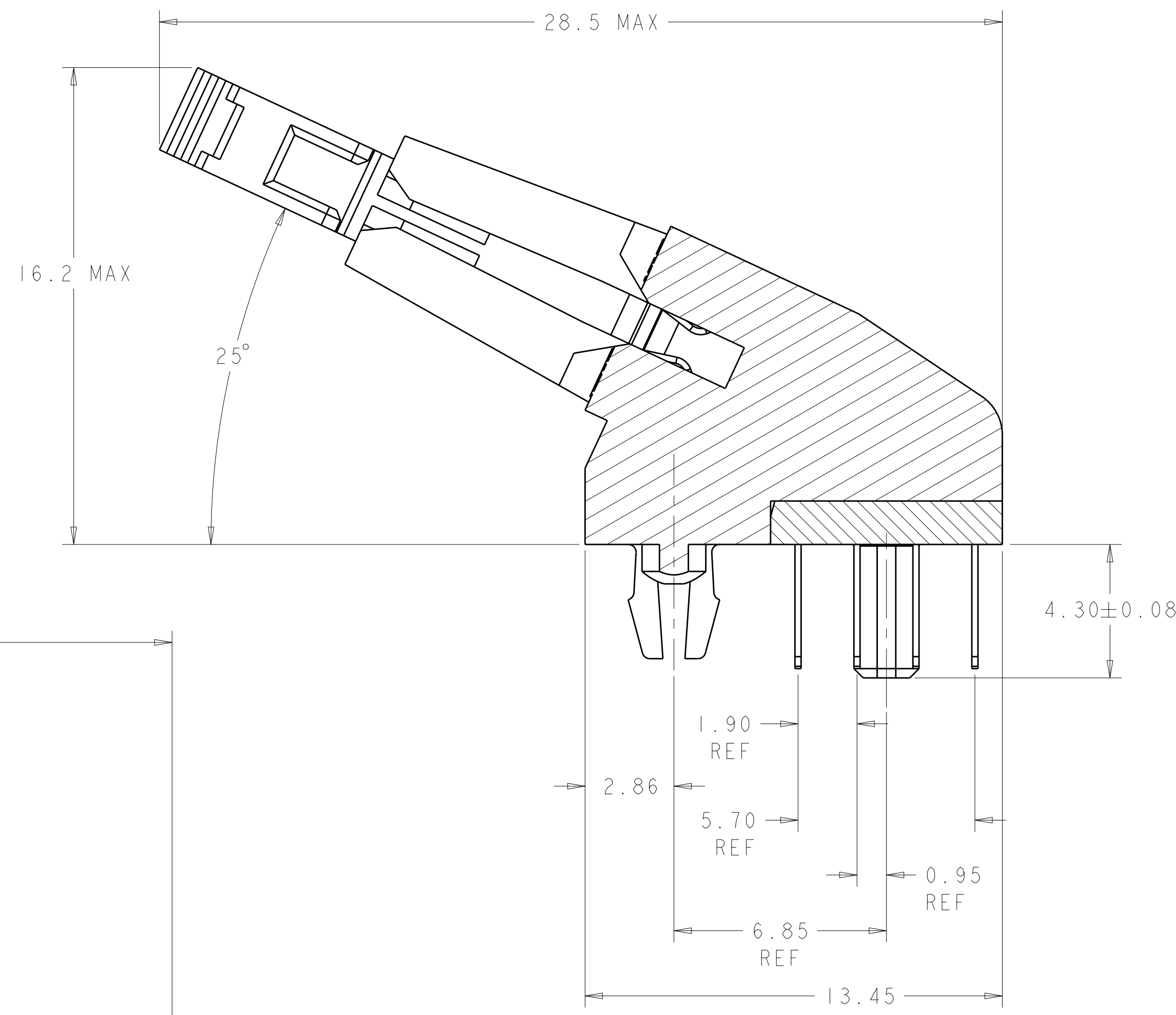
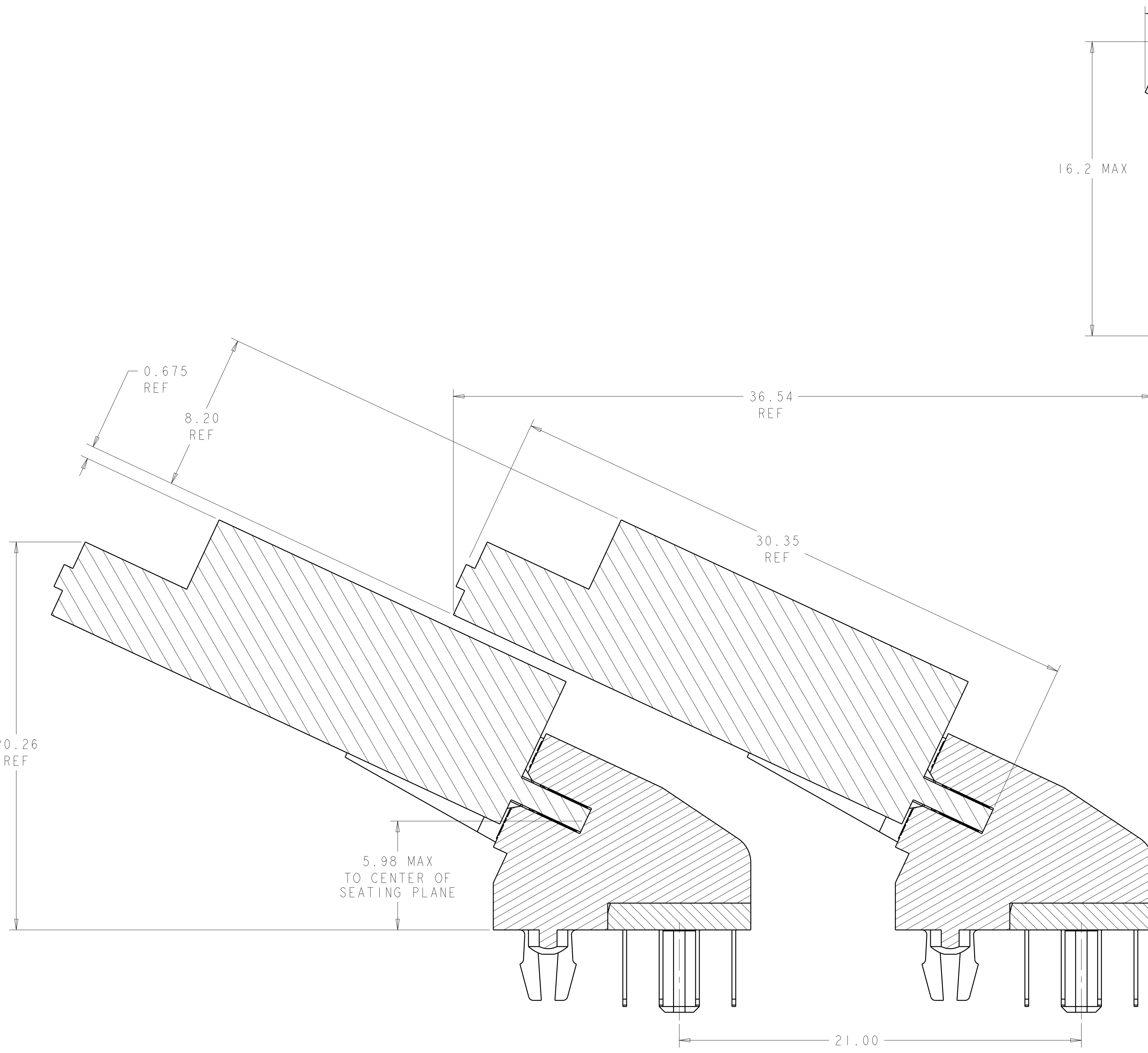
6 DATUM [-F-] IS CONNECTOR SIDE SURFACE OF PCB.

7 PORE BLOCKER APPLIED TO CONTACT INTERFACE.

| CONTACT GOLD INTERFACE | TAIL LENGTH | PART NUMBER |
|------------------------|-------------|-------------|
| 0.00038 MIN            | 4.00        | 1888029-6   |
| 0.00038 MIN            | 3.18        | 1888029-5   |
| 0.00038 MIN            | 2.67        | 1888029-4   |
| 0.00076 MIN            | 4.00        | 1888029-3   |
| 0.00076 MIN            | 3.18        | 1888029-2   |
| 0.00076 MIN            | 2.67        | 1888029-1   |

|                    |  |   |  |  |  |  |  |
|--------------------|--|---|--|--|--|--|--|
| DIMENSIONS: mm<br> |  | TOLERANCES UNLESS OTHERWISE SPECIFIED:<br>9 PLC ±.25<br>2 PLC ±.15<br>3 PLC ±.013<br>4 PLC ±.<br>ANGLES ±#1 |  | DWN: D. RINGLER 12JUL2005<br>CHK: M. YEOMANS 18JUL2005<br>APVD:  |  | Tyco Electronics Corporation<br>SH/CN GuiPing RD 668#  |  |
| MATERIAL:          |  | FINISH:   |  | PRODUCT SPEC: 108-2168<br>APPLICATION SPEC: 114-13130<br>WEIGHT: |  | NAME: SOCKET ASSEMBLY<br>25 DEGREE FB DIMM<br>240 POSITION<br>SIZE: A11<br>CAGE CODE: 00779<br>DRAWING NO: C=1888029 |  |
| CUSTOMER DRAWING   |  |   |  | SCALE: 1:1   |  | SHEET 1 OF 3 REV A2  |  |

| LOC |    | DIST |      | REVISIONS   |      |     |      |
|-----|----|------|------|-------------|------|-----|------|
| ES  | 00 | REV  | DATE | DESCRIPTION | DATE | DWN | APVD |
| -   | -  | -    | -    | SEE SHEET 1 | -    | -   | -    |



SECTION **HH**  
 SCALE 8:1

MINIMUM RECOMMENDED ROW TO ROW SPACING

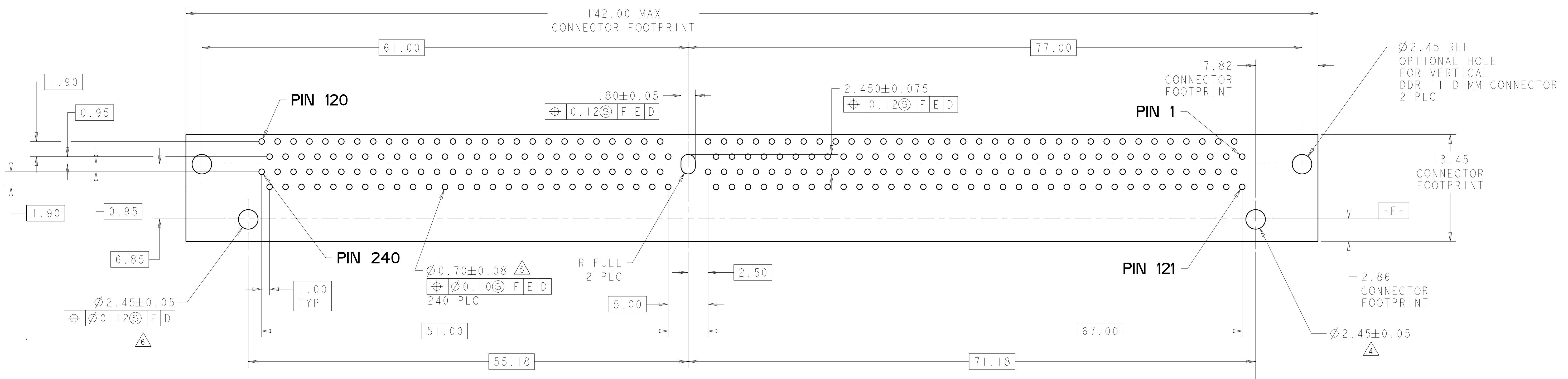
SCALE 8:1

|  |  |  |   |
|--|--|--|---|
| <small>THIS DRAWING IS UNPUBLISHED. RELEASED FOR PUBLICATION. ALL RIGHTS RESERVED. THIS IS SUBJECT TO CHANGE WITHOUT NOTICE. FOR THE LATEST REVISIONS, CONTACT THE DRAWING ENGINEER.</small> |  | DWN: D. RINGLER 12 JUL 2005<br>CHK: M. YEOMANS 18 JUL 2005<br>APVD: -                  | Tyco Electronics<br>Tyco Electronics Corporation<br>SH/CN GuiPing RD 668#   |
| DIMENSIONS:<br>mm<br>  | TOLERANCES UNLESS OTHERWISE SPECIFIED:<br>9 PLC ±<br>1 PLC ±0.25<br>2 PLC ±0.15<br>3 PLC ±0.13<br>4 PLC ±<br>ANGLES ±°<br>FINISH ±#1 | PRODUCT SPEC: 108-2168<br>APPLICATION SPEC: 114-13130<br>WEIGHT: -<br>CUSTOMER DRAWING | NAME: SOCKET ASSEMBLY 25 DEGREE FB DIMM 240 POSITION<br>SIZE: A1<br>CAGE CODE: 00779<br>DRAWING NO: C=1888029<br>RESTRICTED TO: -<br>SCALE: 1:1 SHEET 2 OF 3 REV A2 |

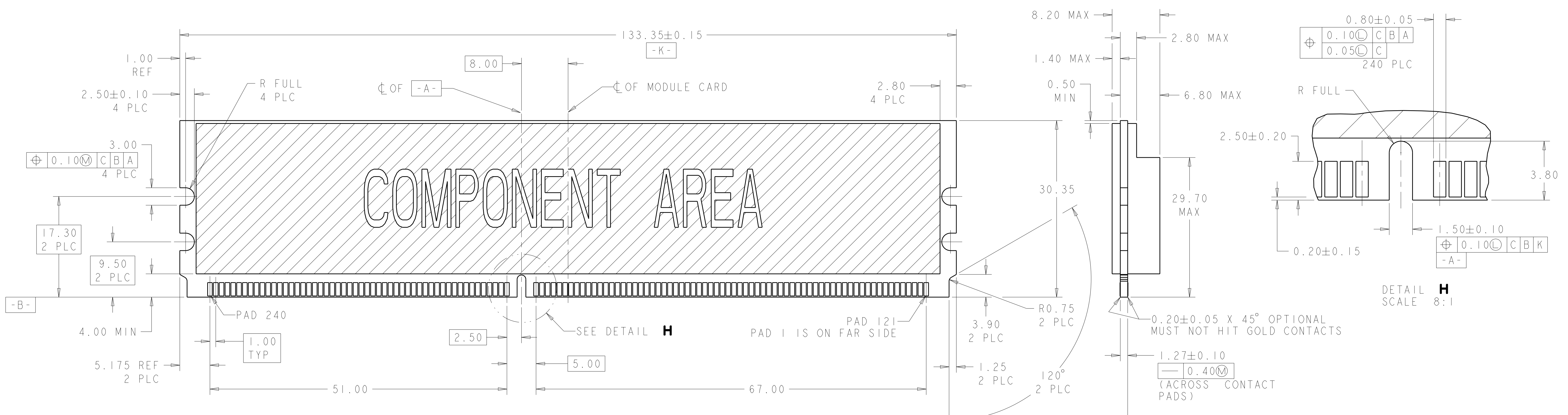
| LOC | DIST | REV | DATE | BY | APPD |
|-----|------|-----|------|----|------|
| ES  | 00   |     |      |    |      |

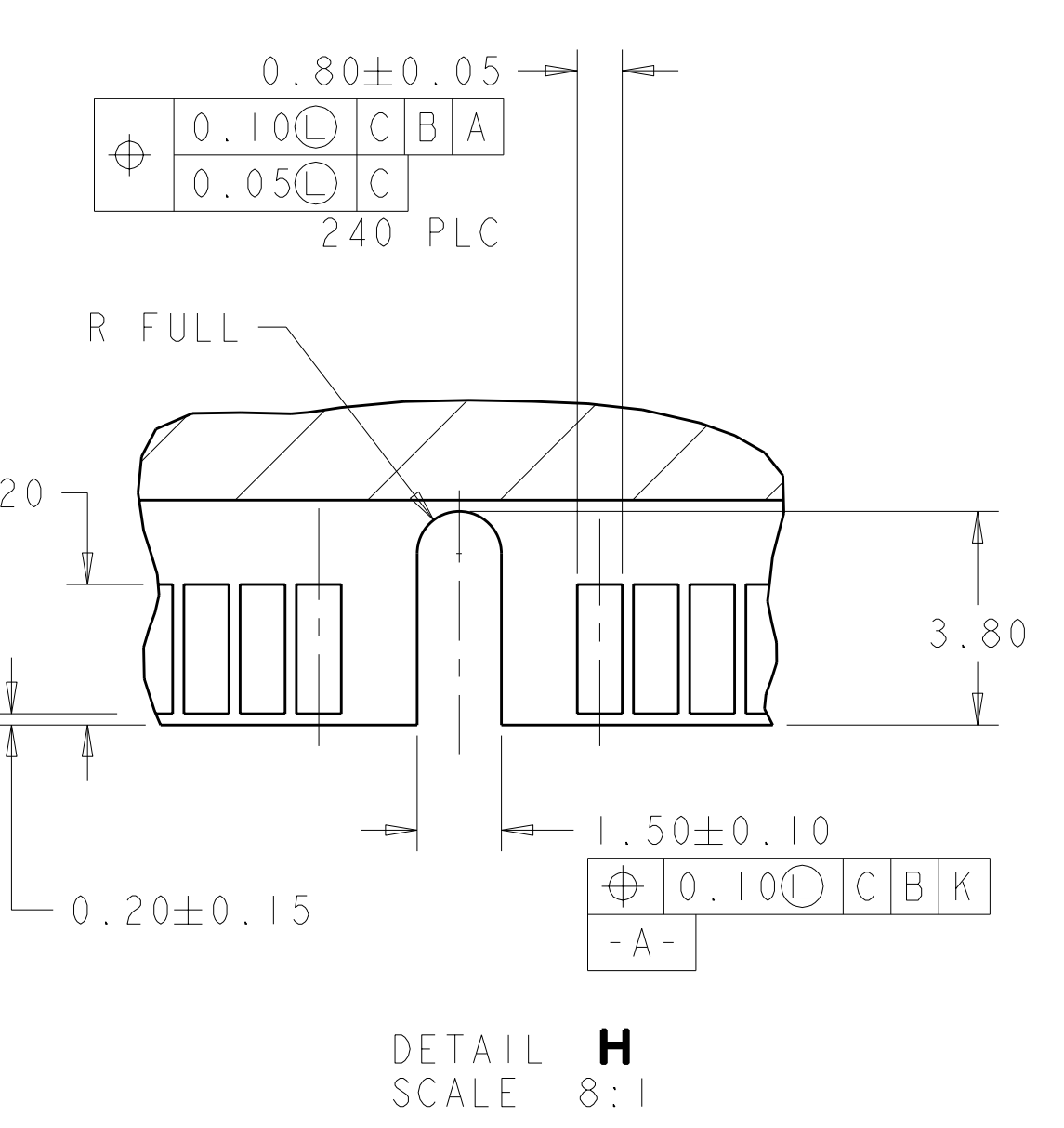
| REVISIONS |             | DATE | BY | APPD |
|-----------|-------------|------|----|------|
| -         | SEE SHEET 1 | -    | -  | -    |



RECOMMENDED PCB HOLE LAYOUT  
 VIEWED FROM CONNECTOR SIDE  
 SCALE 4:1



RECOMMENDED MODULE LAYOUT  
 SCALE 3:1



DETAIL H  
 SCALE 8:1

|  |   |  |   |
|--|---|--|---|
| <small>THIS DRAWING IS UNPUBLISHED. RELEASED FOR PUBLICATION BY TYCO ELECTRONICS CORPORATION, ALL RIGHTS RESERVED.</small> |   | DWN: D. RINGLER 12 JUL 2005<br>CHK: M. YEOMANS 18 JUL 2005                             | Tyco Electronics<br>Tyco Electronics Corporation<br>SH/CN GuiPing RD 668#   |
| DIMENSIONS: mm<br>   | TOLERANCES UNLESS OTHERWISE SPECIFIED:<br>9 PLC ±0.25<br>1 PLC ±0.15<br>5 PLC ±0.13<br>4 PLC ±0.10<br>ANGLES ±1°<br>FINISH: - | PRODUCT SPEC: 108-2168<br>APPLICATION SPEC: 114-13130<br>WEIGHT: -<br>CUSTOMER DRAWING | NAME: SOCKET ASSEMBLY 25 DEGREE FB DIMM 240 POSITION<br>SIZE: A1<br>CAGE CODE: 00779<br>DRAWING NO: C=1888029<br>RESTRICTED TO: -<br>SCALE: 1:1<br>SHEET: 3 OF 3<br>REV: A2 |

# Mouser Electronics

Authorized Distributor

Click to View Pricing, Inventory, Delivery & Lifecycle Information:

[TE Connectivity:](#)

[1888029-2](#)