

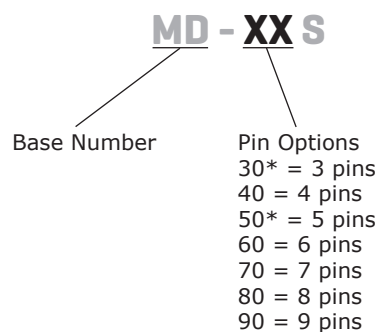
SERIES: MD-S | DESCRIPTION: MINI DIN CONNECTOR

FEATURES

- PCB mount
- right angle
- non-shielded



PART NUMBER KEY



Notes: *Discontinued models MD-30S & MD-50S

SPECIFICATIONS

parameter	conditions/description	min	typ	max	units
rated input voltage	3~8 pin models 9 pin model		30 12		Vdc Vdc
rated input current	3~8 pin models 9 pin model			1 2	A A
contact resistance				30	mΩ
insulation resistance		100			MΩ
voltage withstand	3~8 pin models for 1 minute 9 pin model for 1 minute			500 250	Vac Vac
insertion force	3~8 pin models 9 pin model			45 35	N N
withdrawal force	3~8 pin models 9 pin model	7 10			N N
operating temperature		-25		50	°C
life	3~8 pin models 9 pin model		500 5,000		cycles cycles
flammability rating	UL94V-0				
RoHS	yes				

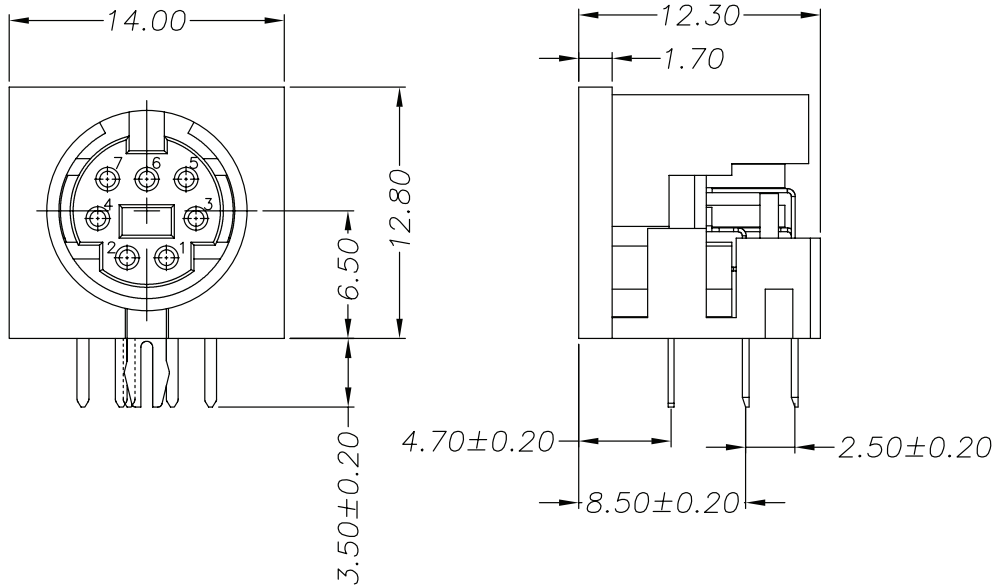
SOLDERABILITY

parameter	conditions/description	min	typ	max	units
hand soldering	for 1~3 seconds	230		250	°C

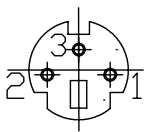
MECHANICAL DRAWINGS (MD-30S, MD-40S, MD-50S)

units: mm
 tolerance:
 X.X ±0.38 mm
 X.XX ±0.25 mm
 X.XXX ±0.13 mm

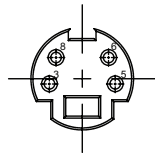
	MATERIAL	PLATING
body	PBT+30%GF (UL94V-0)	
pins	brass	tin
shield	brass	nickel



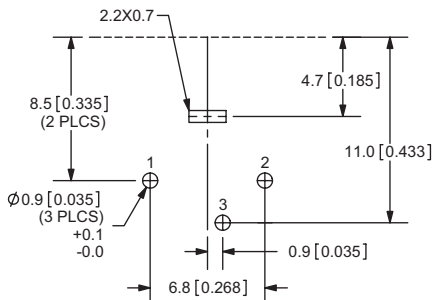
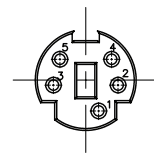
MD-30S



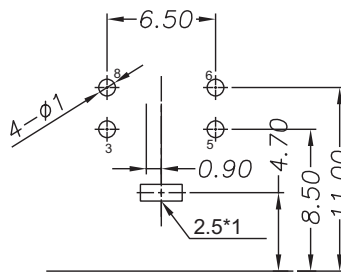
MD-40S



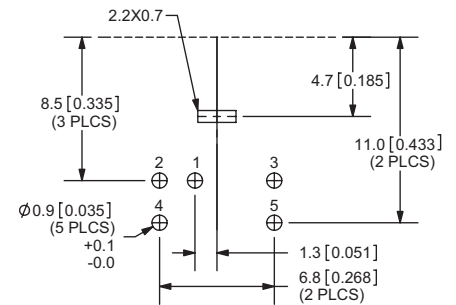
MD-50S



Recommended PCB Layout
Top View



Recommended PCB Layout
Top View

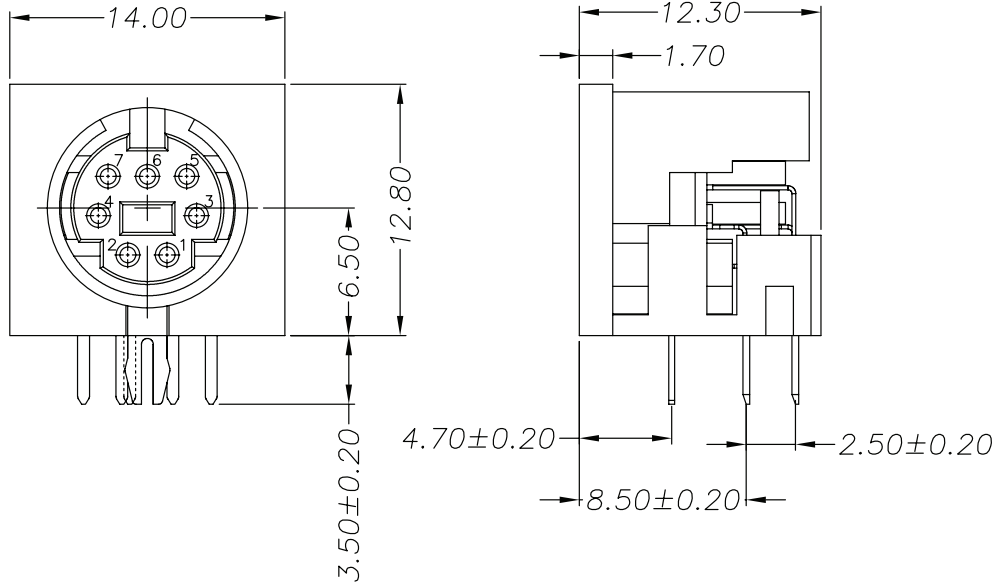


Recommended PCB Layout
Top View

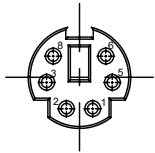
MECHANICAL DRAWINGS (MD-60S, MD-70S, MD-80S)

units: mm
 tolerance:
 X.X ± 0.38 mm
 X.XX ± 0.25 mm
 X.XXX ± 0.13 mm

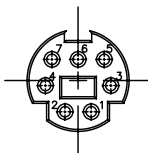
	MATERIAL	PLATING
body	PBT+30%GF (UL94V-0)	
pins	brass	tin
shield	brass	nickel



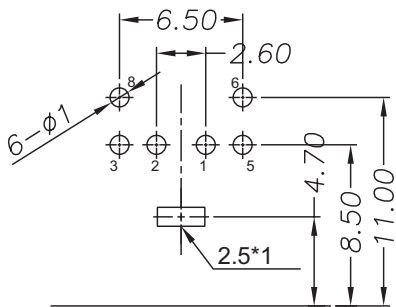
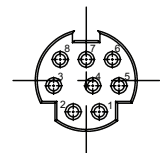
MD-60S



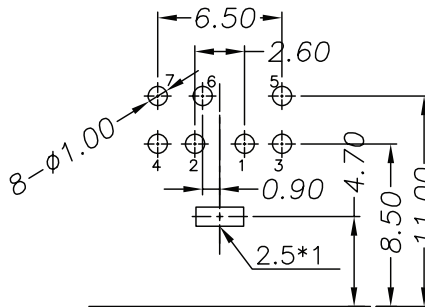
MD-70S



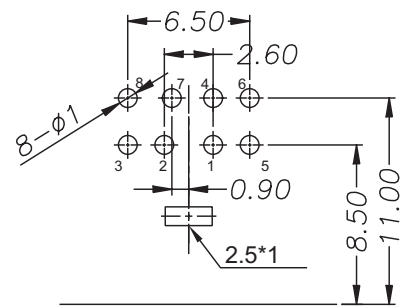
MD-80S



Recommended PCB Layout
Top View



Recommended PCB Layout
Top View

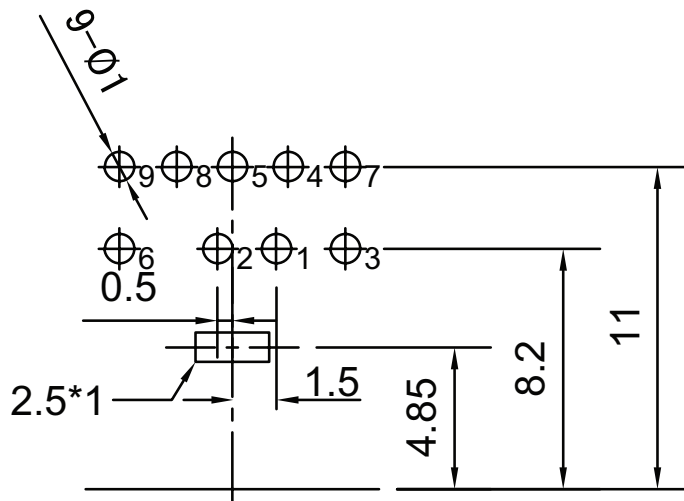
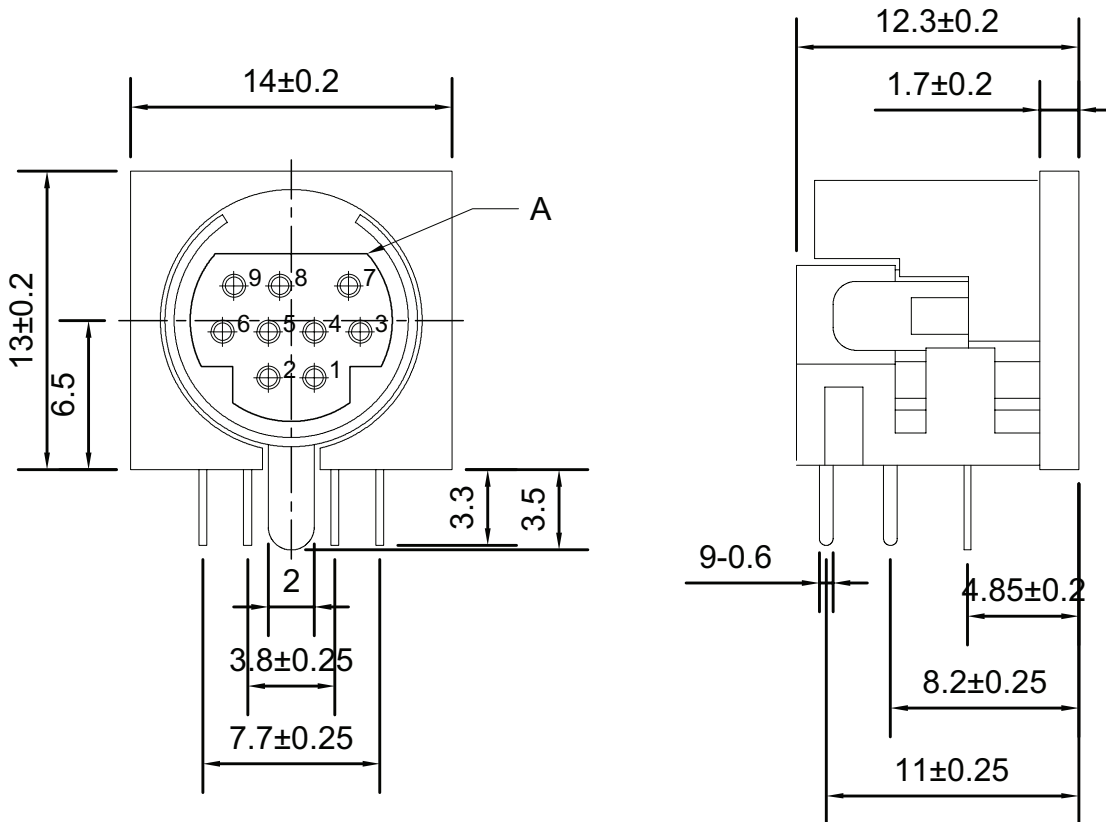


Recommended PCB Layout
Top View

MECHANICAL DRAWING (MD-90S)

units: mm
 tolerance:
 X.X ±0.35 mm
 X.XX ±0.25 mm
 X.XXX ±0.15 mm

	MATERIAL	PLATING
body	PBT (UL94V-0)	
cover	PBT (UL94V-0)	
ground	brass	copper/tin
pins	brass	copper/tin



Recommended PCB Layout
 Top View

REVISION HISTORY

rev.	description	date
1.0	initial release	02/23/2006
1.01	new template applied	02/16/2012
1.02	housing updates	03/29/2012
1.03	updated datasheet	08/25/2017
1.04	discontinued models MD-30S and MD-50S, brand update	10/08/2019
1.05	updated housing	12/12/2019
1.06	updated PCB footprints	09/01/2020

The revision history provided is for informational purposes only and is believed to be accurate.

CUI DEVICES

CUI Devices offers a one (1) year limited warranty. Complete warranty information is listed on our website.

CUI Devices reserves the right to make changes to the product at any time without notice. Information provided by CUI Devices is believed to be accurate and reliable. However, no responsibility is assumed by CUI Devices for its use, nor for any infringements of patents or other rights of third parties which may result from its use.

CUI Devices products are not authorized or warranted for use as critical components in equipment that requires an extremely high level of reliability. A critical component is any component of a life support device or system whose failure to perform can be reasonably expected to cause the failure of the life support device or system, or to affect its safety or effectiveness.