

## D-SUB panel mounting frames - VS-09-A - 1688366


Please be informed that the data shown in this PDF Document is generated from our Online Catalog. Please find the complete data in the user's documentation. Our General Terms of Use for Downloads are valid (<http://phoenixcontact.com/download>)



D-SUB panel mounting frame, shell size 1, IP67 degree of protection



### Key Commercial Data

Packing unit	5 pc
GTIN	 4 017918 817510
GTIN	4017918817510

### Technical data

#### Mechanical characteristics

Insertion/withdrawal cycles	≥ 1000
Color	gray
Degree of protection	IP67
Type	D-SUB 9
Size of housing	1

#### Ambient conditions

Ambient temperature (operation)	-40 °C ... 80 °C
---------------------------------	------------------

#### Material data

Flammability rating according to UL 94	V0
Housing material	PA
Material	Plastic
Sealing material	Flat gasket: NBR; profile gasket: EPDM
Seal material	Flat gasket: NBR; profile gasket: EPDM
Height	16.8 mm

#### Electrical characteristics

Degree of pollution	2
---------------------	---

# D-SUB panel mounting frames - VS-09-A - 1688366

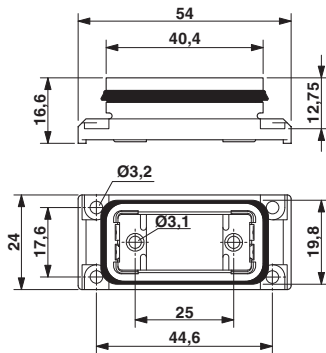
## Technical data

### Standards and Regulations

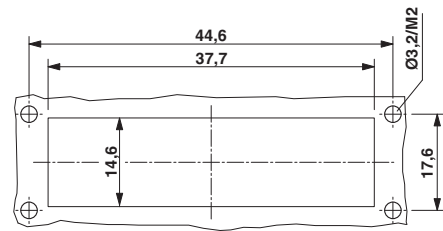
Flammability rating according to UL 94	V0
--	----

## Drawings

Dimensional drawing



Dimensional drawing



Mounting cutout

D-SUB panel mounting frame

## Approvals

Approvals

Approvals

EAC

Ex Approvals

### Approval details

EAC		B.01742
-----	--	---------

Phoenix Contact 2018 © - all rights reserved  
<http://www.phoenixcontact.com>

PHOENIX CONTACT GmbH & Co. KG  
Flachmarktstr. 8  
32825 Blomberg  
Germany  
Tel. +49 5235 300  
Fax +49 5235 3 41200  
<http://www.phoenixcontact.com>

# Mouser Electronics

Authorized Distributor

Click to View Pricing, Inventory, Delivery & Lifecycle Information:

[Phoenix Contact:](#)

[1688366](#)