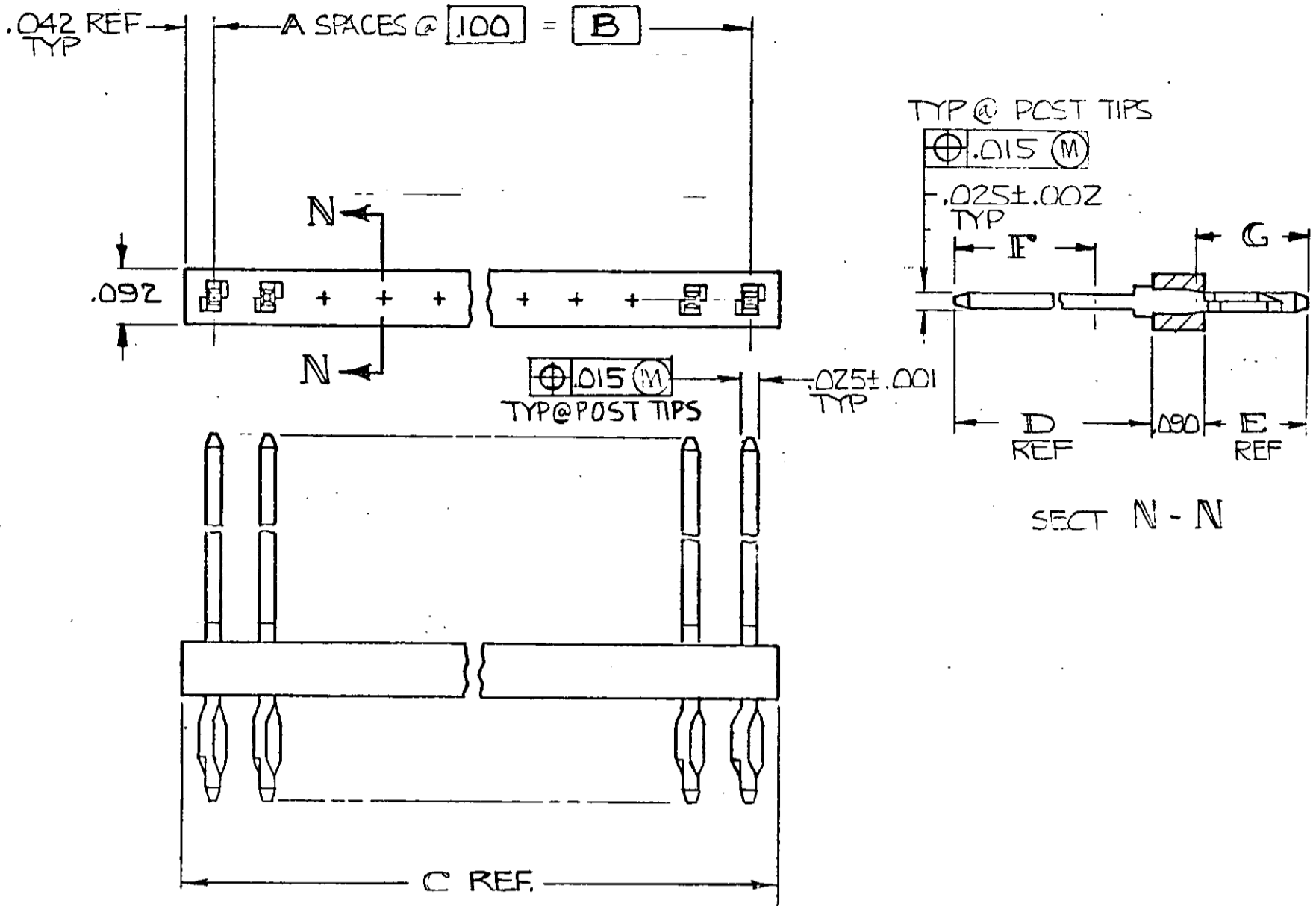


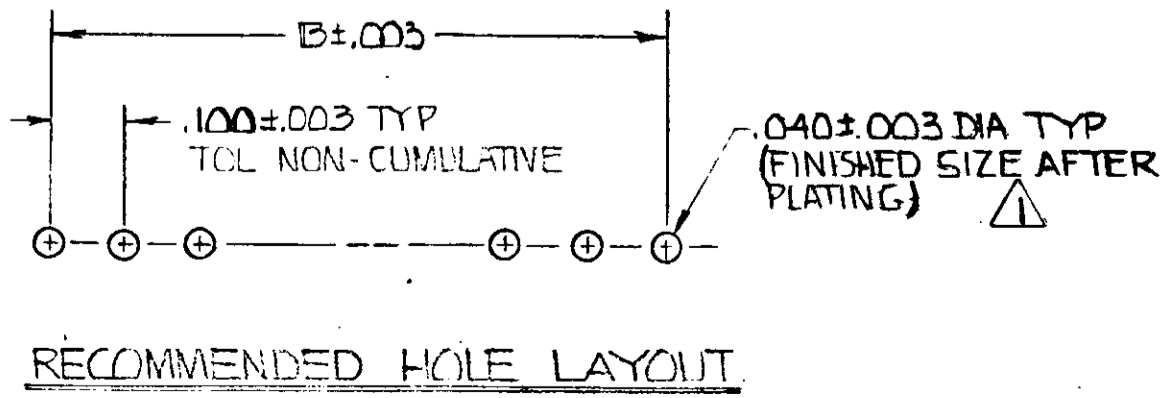
© COPYRIGHT 1982 BY AMP INCORPORATED, HARRISBURG, PA. ALL INTERNATIONAL RIGHTS RESERVED. AMP INCORPORATED PRODUCTS COVERED BY U. S. AND FOREIGN PATENTS AND/OR PATENTS PENDING.

REVISIONS						
P	F	ZONE	LTR	DESCRIPTION	DATE	APPROVED
				RELEASED		
				REV-ECN 2184	5-11-82	
				REV-ECN 1887	5-25-82	
				REV LOC & DIST AD-4171	11-28-82	BF
				REL -34- REREL -1	5-18-90	MLC
				REREL -33	8-16-90	MLC
				REV PER 0010-1352-93	1-17-94	JK
				REV PER 0010-0078-94	3-4-94	JK
				EC. 0010-1359-93		JK
				REV PER ECO-09-022178	22SEP09	AEG



3	OBSOLETE	.480	.320	.484	.400	4	5	3-102899-5
		.480	.320	.184	.100	1	2	3-102899-4
		.480	.320	3.984	3.900	39	40	3-102899-3
				3.884	3.800	38	39	2
				3.784	3.700	37	38	3
				3.684	3.600	36	37	3
				3.584	3.500	35	36	2
				3.484	3.400	34	35	2
				3.384	3.300	33	34	2
				3.284	3.200	32	33	2
				3.184	3.100	31	32	2
				3.084	3.000	30	31	2
				2.984	2.900	29	30	2
				2.884	2.800	28	29	2
				2.784	2.700	27	28	2
				2.684	2.600	26	27	2
				2.584	2.500	25	26	1
				2.484	2.400	24	25	1
				2.384	2.300	23	24	1
				2.284	2.200	22	23	1
				2.184	2.100	21	22	1
				2.084	2.000	20	21	1
				1.984	1.900	19	20	1
				1.884	1.800	18	19	1
				1.784	1.700	17	18	1
				1.684	1.600	16	17	1
				1.584	1.500	15	16	1
				1.484	1.400	14	15	1
				1.384	1.300	13	14	1
				1.284	1.200	12	13	1
				1.184	1.100	11	12	1
				1.084	1.000	10	11	1
				.984	.900	9	10	1
				.884	.800	8	9	1
				.784	.700	7	8	1

- 1 RECOMMENDED DRILL SIZE : 1.15MM = .0452 ± .0010.
- 2 FINISH = .000030 GOLD ON CONTACT AREA (AREA F)
.000015 GOLD ON TERMINATION AREA (AREA G)
ALL OVER .000050 ± .000100 NICKEL.
- 3 OBSOLETE PARTS: OBSOLETE CIS STREAMLINING PER D.RENAUD/D.SINISI



UNLESS OTHERWISE SPECIFIED DIMENSIONS ARE IN INCHES. TOLERANCES ON: DECIMALS ± .005 ANGLES ±		CONTRACT NO DR 11-5-81 CHK B. Buehler 2-15-82 APPD J. J. ... 2-15-82 DSGN APPD D. Buehler 2-15-82 OTHER APPD		AMP INCORPORATED Harrisburg, Pa.	
MATERIAL HSG: FLAME RETARDANT THERMOPLASTIC COLOR: BLACK POSTS: (C)-NICKEL		NAME ASSEMBLY, HEADER, MOD II, UNSHROUDED, COMPLIANT PIN, SINGLE ROW, .100 @, FOR .093 NOM. AND THICKER BOARDS		NO. OF POS. PART NO	
FINISH POSTS: SEE TABLE		SIZE C	CODE 00779	IDENT NO 102899	DRAWING NO
		SCALE N.T.S.		SHEET 1 OF 1	

Mouser Electronics

Authorized Distributor

Click to View Pricing, Inventory, Delivery & Lifecycle Information:

[TE Connectivity:](#)

[3-102899-3](#)