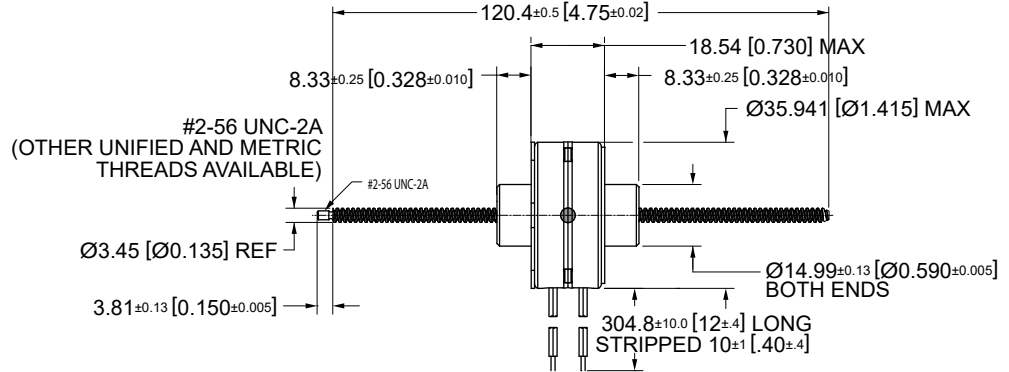
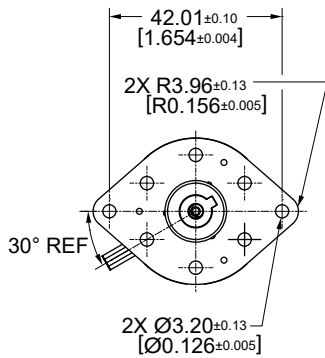


35DBM-L

Ø 35 mm • RoHS Compliant • 112 N



Dimensions in mm. [inches]

Electrical Data	35DBMXX●●●-K			Unit
	D1B Bipolar	D2B Bipolar	D3B Bipolar	
1 Nominal Voltage	5	12	2.5	VDC
2 No-Load Speed	10.0	58.0	2.5	Ohms
3 No-Load Current	9.5	51.4	2.4	mH
4 Terminal Resistance	0.71	0.29	1.41	A
5 Rotor Inertia	5.0	5.0	5.0	W

General Data	XX	Linear travel per step		Unit	
		10	20		
6 Min. Holding Force @ rated current		@ .001" (0.0254mm)		112 (403)	N (oz)
		@ .002" (0.0508mm)		70 (252)	N (oz)
7 Min. Holding Force (Unenergized)		@ .001" (0.0254mm)		40 (144)	N (oz)
		@ .002" (0.0508mm)		10 (36)	N (oz)
8 Stroke Length, Typ				63.5 (2.5)	mm (in)
9 Linear Travel Accuracy				± 1 Step	
10 Steps per Revolution				48	
11 Ambient Temperature Range (operating)				-20 to +70 (-4 to +158)	°C (°F)
12 Maximum Coil Temperature				130 (266)	°C (°F)
13 Bearing Type				Ball Bearing	
14 Insulation Resistance at 500 VDC				20	Mohms
15 Dielectric Withstanding Voltage				650 for 2 seconds	VAC
16 Weight				85 (3)	g (oz)
17 Leadwire				AWG 26, UL 1429	

Notes: 1. All motor data values at 20° C unless otherwise specified – 2. # Voltage in case of voltage driver (indicator R-1)

