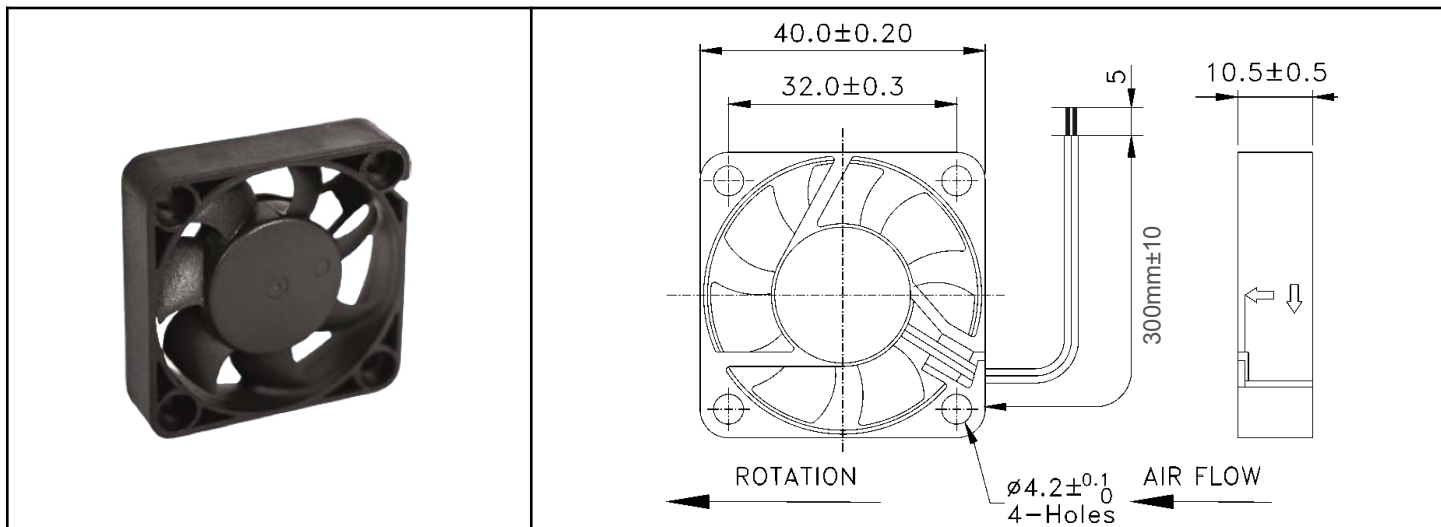


# OD4010 Series



DC Fan - 12, 24V  
40x10mm (1.58"x 0.39")



Frame & Impeller	PBT, UL94 V-O plastic	<b>Available Options:</b> Sleeve Bearing Ball Bearing Tachometer Alarm 5V  <u>Life Expectancy (L10)</u> 50,000 hrs at 40°C  <u>Operating Temperature</u> -10°C ~ 70°C <u>*Connections:</u> Red: DC +, Black: DC-  m0	
Connection	2x Lead wires, UL 1007, 26 AWG*		
Motor	Brushless DC, Auto Restart, Polarity Protected		
Bearing System	Sealed Sleeve		
Insulation Resistance	10M ohm between leadwire and frame (500VDC)		
Dielectric Strength	1 second at 500 VAC, max leakage - 500 microAmp		
Storage Temperature	-30°C ~ +90°C		

Model Number	OD4010-12HSS	OD4010-24HSS
Part Number	141143001	141243001
Nominal Voltage	12 VDC	24 VDC
Nominal Current	0.10A	0.09A
Rated Power	1.2W	1.4W
Rated Speed (RPM)	6000	6000
Airflow (CFM)	6.7	6.7
Noise Level (dB)	25	25
Max. Static Pressure	0.10" H2O	0.10" H2O