

## JJS — 600Vac, 1-800A, Fast-Acting Fuses



**Description:** Advanced protection Class T current-limiting, fast-acting fuses.

**Catalog Symbol:** JJS-(amp)

**Ratings:**

- Volts — 600Vac
- Amps — 1-800A
- IR — 200kA Vac RMS Sym.

**Agency Information:**

CE, UL Listed, Std. 248-15, Class T, Guide JDDZ, File E4273  
 CSA Certified, C22.2 No. 248.15, Class 1422-02, File 53787

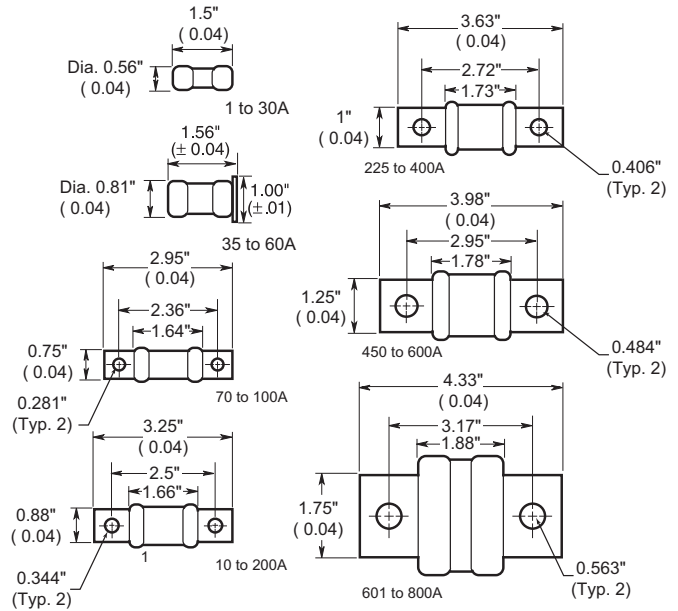
**Catalog Numbers (amps)**

JJS-1	JJS-45	JJS-200
JJS-2	JJS-50	JJS-225
JJS-3	JJS-60	JJS-250
JJS-6	JJS-70	JJS-300
JJS-10	JJS-80	JJS-350
JJS-15	JJS-90	JJS-400
JJS-20	JJS-100	JJS-450
JJS-25	JJS-110	JJS-500
JJS-30	JJS-125	JJS-600
JJS-35	JJS-150	JJS-800
JJS-40	JJS-175	

**Carton Quantity and Weight**

Amp Rating	Carton Qty.
1-30	10
35-60	10
70-100	5
110-200	1
225-400	1
450-600	1
800	1

**Dimensions – in**



**Features:**

- Small, space-saving fuses provide a high degree of current-limitation on short-circuits for excellent component protection
- Commonly applied in electric heat circuits, load center, disconnect switches, and meters
- The small size of the JJS Class T fuses permits installation in panelboards and control centers for system upgrading when existing circuit breakers cannot safely interrupt larger available short-circuit currents
- High speed response for semiconductor protection
- Available for printed circuit board applications

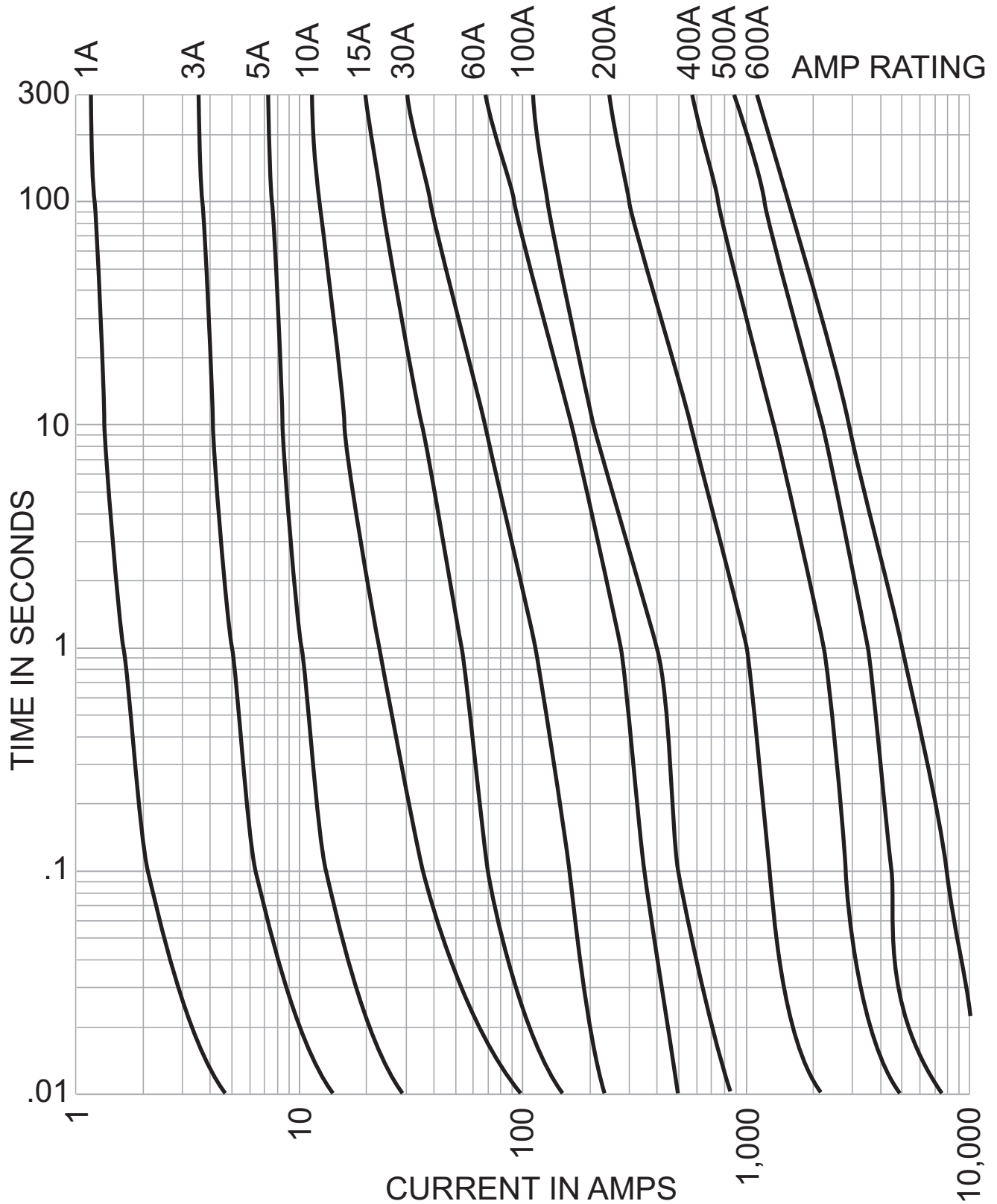
**Recommended Fuse Blocks**

Amps Rating	1-Pole	2-Pole	3-Pole
1-30	T60030-1_	T60030-2_	T60030-3_
35-60	T60060-1_	T60060-2_	T60060-3_
70-100	T60100-1_	T60100-2_	T60100-3_
110-200	T60200-1_		1B0089
225-400	T60400-1_		
450-600	T60600-1_		

For additional information on the 600 volt Class T fuse blocks, see Data Sheet # 1116.

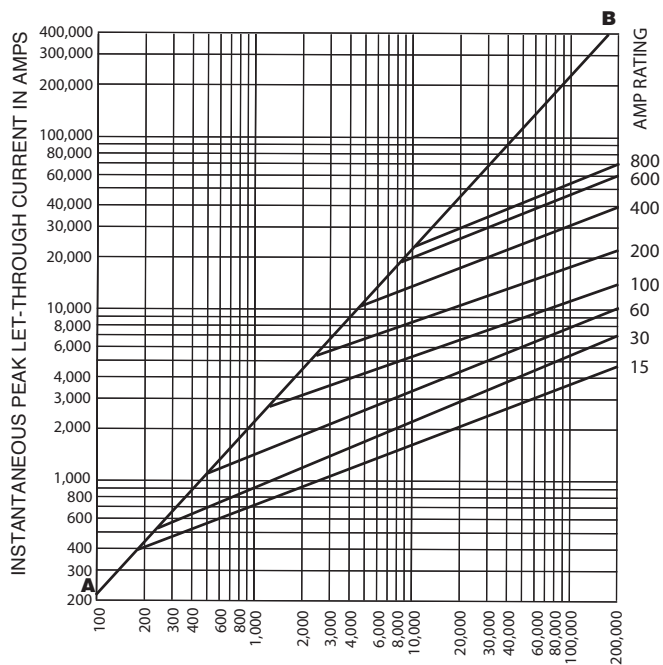
## JJS — 600Vac, 1-800A, Fast-Acting Fuses

Time-Current Curves - Average Melt



## JJS — 600Vac, 1-800A, Fast-Acting Fuses

### Current-Limitation Curves

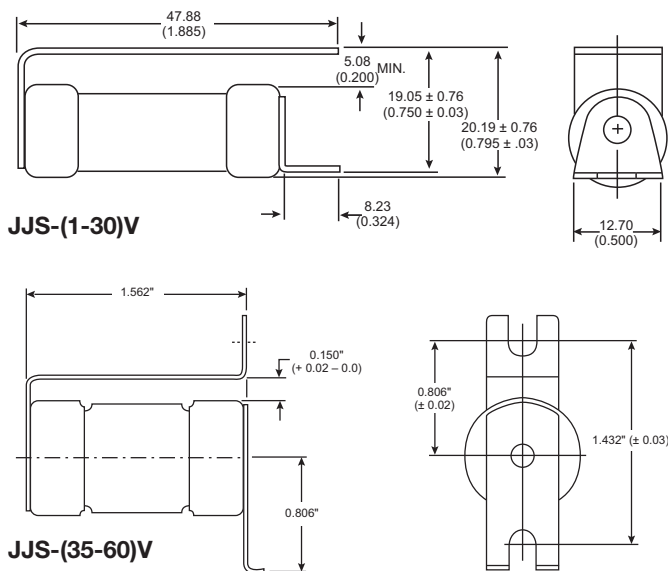


### Custom Designs

Printed circuit board versions available up to 60 amps.  
Consult factory for details.

UL Component Recognized, Guide JFHR2, File E56412.

### Dimensions - in



### Current-Limiting Effects

Prosp. S.C.C.	Let-Through Current (Apparent RMS Symmetrical Vs. Fuse Rating)							
	15A	30A	60A	100A	200A	400A	600A	800A
500	1000	1000	1000	1000	1000	1000	1000	1000
1000	1000	1000	1000	1000	1000	1000	1000	1000
5000	1000	1000	1000	2000	3000	4000	5000	5000
10,000	1000	1000	1000	2000	3000	6000	8000	9000
15,000	1000	1000	2000	3000	4000	7000	10,000	11,000
20,000	1000	1000	2000	3000	4000	7000	10,000	12,000
25,000	1000	1000	2000	3000	5000	7000	11,000	13,000
30,000	1000	1000	2000	3000	5000	8000	12,000	14,000
35,000	1000	1000	2000	3000	5000	9000	13,000	15,000
40,000	1000	2000	2000	4000	5000	9000	13,000	15,000
50,000	1000	2000	2000	4000	6000	10000	14,000	17,000
60,000	1000	2000	3000	4000	6000	10000	16,000	18,000
70,000	1000	2000	3000	4000	7000	11000	17,000	19,000
80,000	1000	2000	3000	4000	7000	11000	17,000	20,000
90,000	1000	2000	3000	4000	7000	12000	18,000	21,000
100,000	2000	2000	3000	5000	7000	12,000	19,000	22,000
150,000	2000	3000	4000	6000	8000	14,000	22,000	25,000
200,000	2000	3000	4000	6000	9000	16,000	24,000	28,000

The only controlled copy of this Data Sheet is the electronic read-only version located on the Cooper Bussmann Network Drive. All other copies of this document are by definition uncontrolled. This bulletin is intended to clearly present comprehensive product data and provide technical information that will help the end user with design applications. Cooper Bussmann reserves the right, without notice, to change design or construction of any products and to discontinue or limit distribution of any products. Cooper Bussmann also reserves the right to change or update, without notice, any technical information contained in this bulletin. Once a product has been selected, it should be tested by the user in all possible applications.

# Mouser Electronics

Authorized Distributor

Click to View Pricing, Inventory, Delivery & Lifecycle Information:

## Eaton:

[JJS-80](#) [JJS-30](#) [JJS-225](#) [JJS-15](#) [JJS-70](#) [JJS-90](#) [JJS-800](#) [JJS-20](#) [JJS-125](#) [JJS-2](#) [JJS-3](#) [JJS-10](#) [JJS-250](#) [JJS-300](#) [JJS-45](#) [JJS-100](#) [JJS-450](#) [JJS-175](#) [JJS-150](#) [JJS-50](#) [JJS-25V](#) [JJS-30V](#) [JJS-350](#) [JJS-600](#) [JJS-40](#) [JJS-110](#) [JJS-200](#) [JJS-6](#) [JJS-500](#) [JJS-25](#) [JJS-1](#) [JJS-35](#) [JJS-400](#) [JJS-15LS](#) [JJS-25LS](#) [JJS-1LS](#) [JJS-30LS](#) [BK/JJS-30](#) [BK/JJS-3](#)