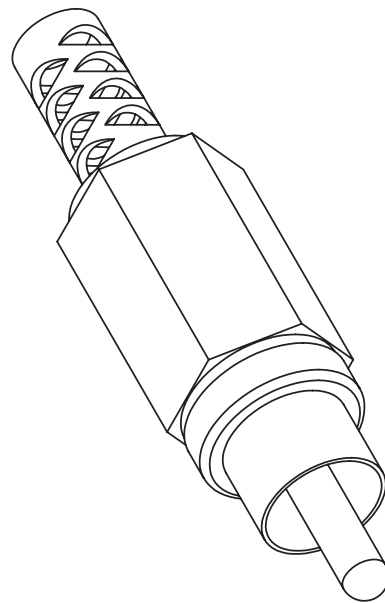
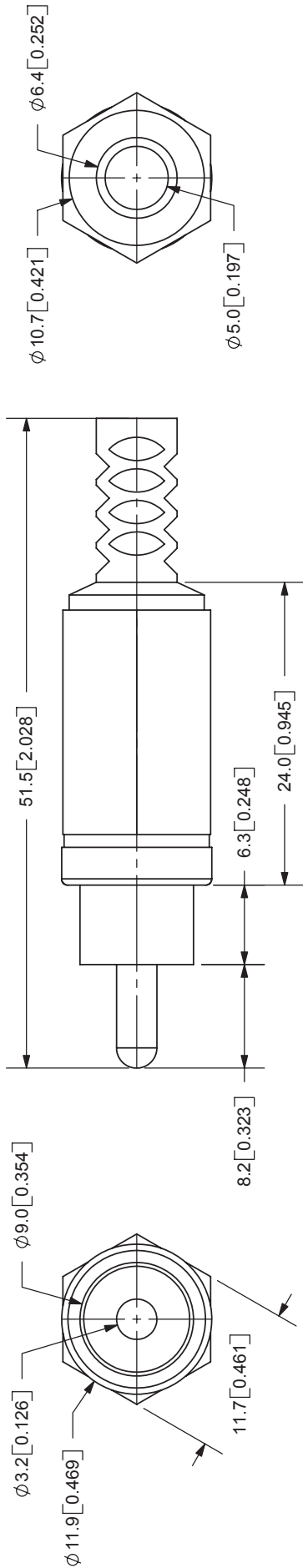


REV.	DESCRIPTION	DATE
A	NEW DRAWING	5/16/2006



TOLERANCE:  
±0.3mm UNLESS OTHERWISE  
SPECIFIED



9615 SW Allen Blvd., Ste. 103  
Beaverton, OR 97005  
Phone: 503-643-4899  
800-275-4899  
Fax: 503-372-1266  
Website: www.cui.com

COLOR INDEX	
PART NO.	COLOR
RCP-021	Black
RCP-022	Red
RCP-023	White
RCP-024	Yellow
RCP-025	Blue
RCP-026	Green
RCP-027	Orange

**SPECIFICATIONS:**  
CONTACT RESISTANCE: 30m OHMS MAX  
INSULATION RESISTANCE: 100M OHMS MIN: 500V DC  
VOLTAGE WITHSTAND: 500V AC R.M.S. FOR 1 MINUTE  
LIFE: 5,000 CYCLES  
OPERATING TEMP: -20° ~ +85°C

TITLE:	RCA PLUG, MODULAR, PLASTIC HANDLE	REV:	A
PART NO:	RCP-02X	UNITS:	MM [INCHES]
DRAWN BY:	ZRJ	APPROVED BY:	
		SCALE:	2:1

BARRELS	MATERIAL	PLATING
	Brass	Nickel
PLASTIC COVER	ABS	see color index
COVER	PE	see color index

# Mouser Electronics

Authorized Distributor

Click to View Pricing, Inventory, Delivery & Lifecycle Information:

[CUI Inc.:](#)

[RCP-021](#) [RCP-024](#) [RCP-025](#) [RCP-022](#) [RCP-023](#)